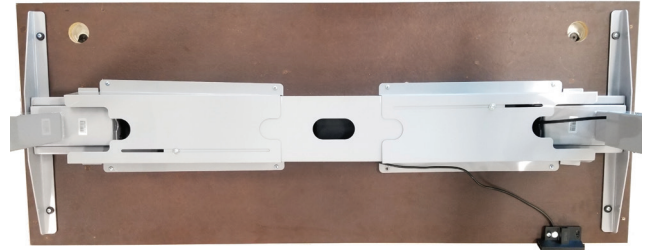


Telescopic Cord Cover

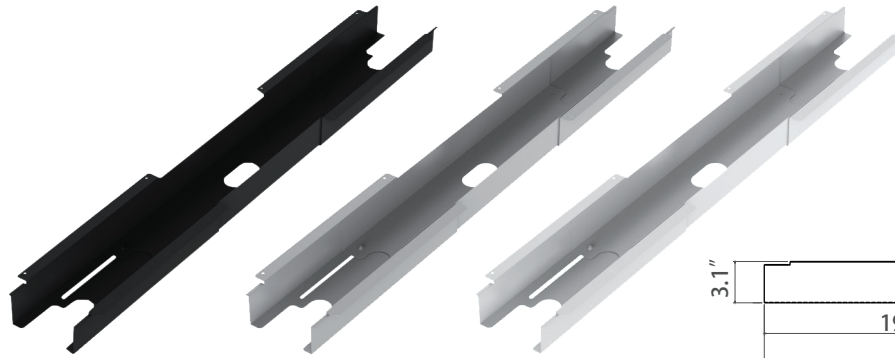
For Bottom Frame of Height Adjustable Tables

Get rid of those messy wires

Screws into underside of work surface



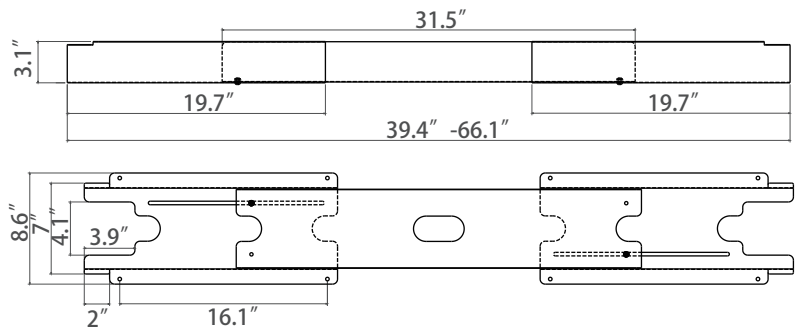
(Shown under desk)



(-BLK) Black

(-BS) Brushed Silver

(-WH) White

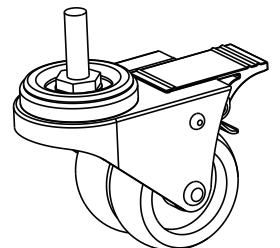
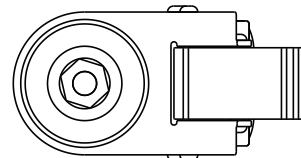
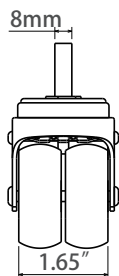
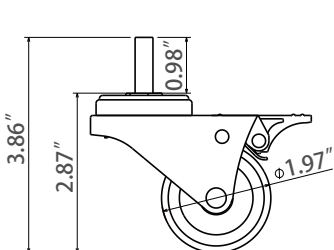


Dual-Wheels

Set of 4 Wheel Kit For Height Adjustable Tables



(Wheels not recommended for 90° or 120° bases)



OFD-CI2ELBASE3642-A-

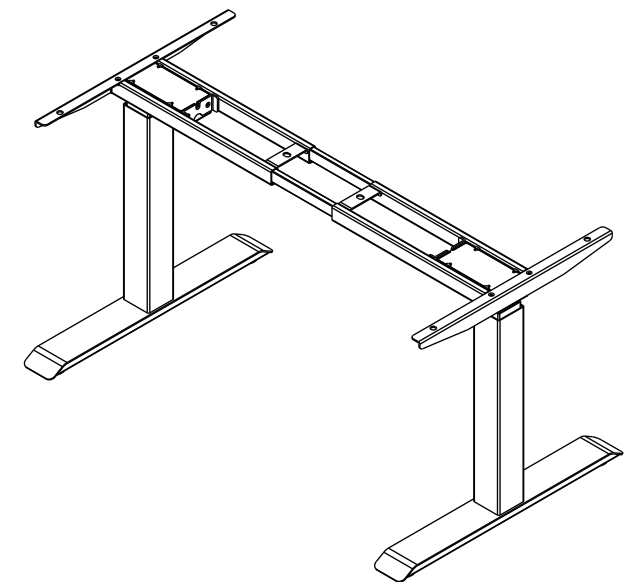
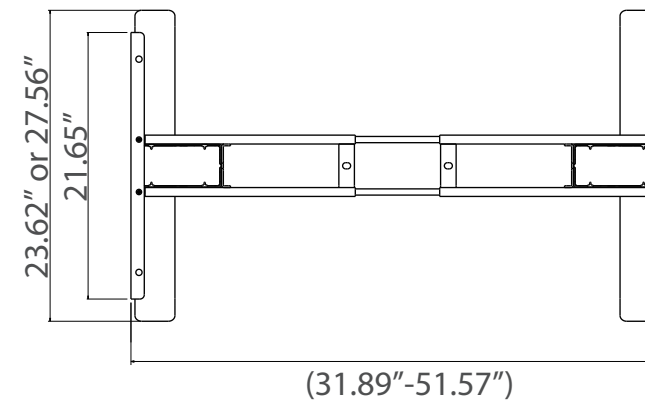
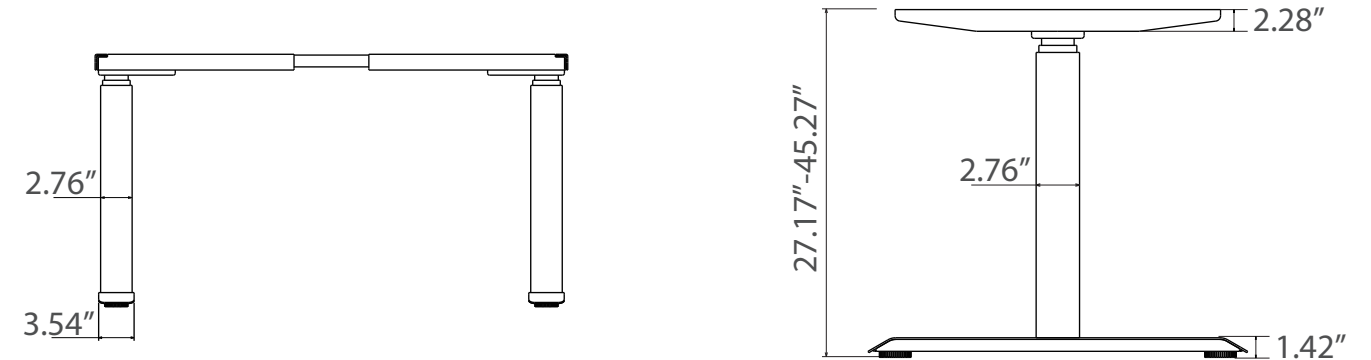
2 Stage, Dual Motor Electric Height Adjustable Base for 36"-46" Tops

OFD-CI2ELBASE3642-A-

2 Stage, Dual Motor Electric Height Adjustable Base for 36"-46" Tops

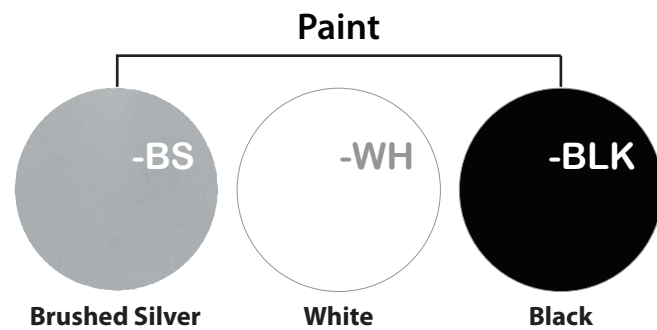


(-BS) Brushed Silver



3 Memory Controller with 2 USB Ports

(Optional Casters)



Smart L-type Products Automatic Lifting

Noise Level 45db

Warranty Period Lifetime Limited



RoHS

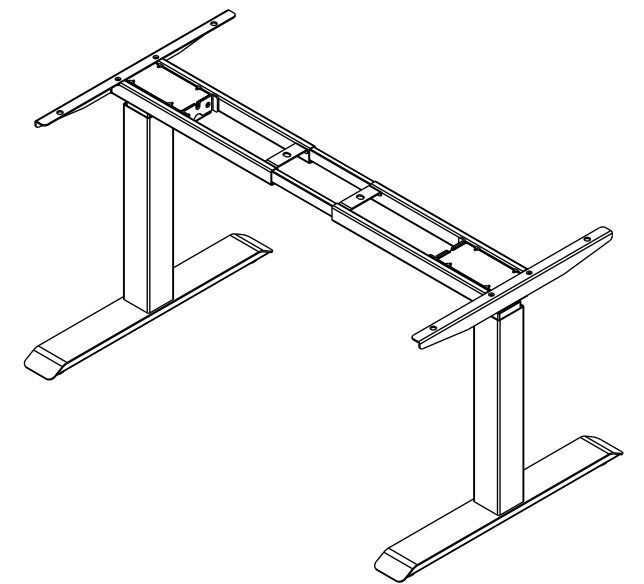
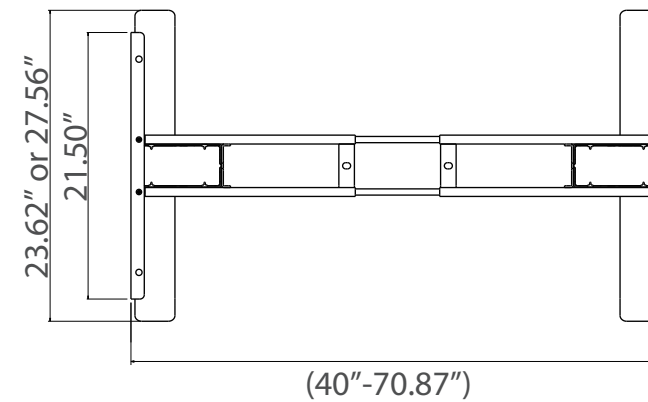
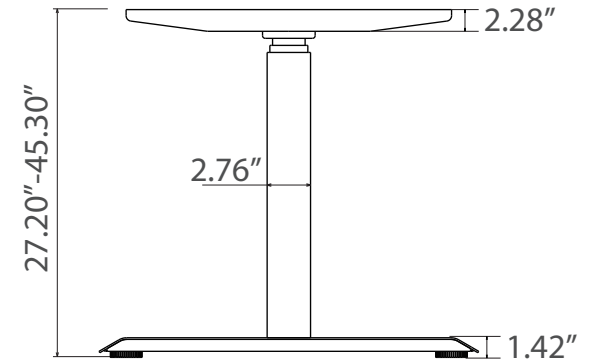
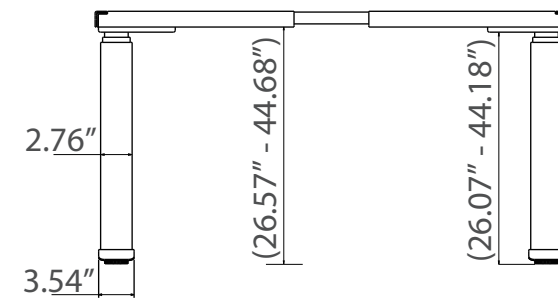
TYPE	DATA
Leg Shape	Square
Frame Height Adjustable Range	27.17" - 45.27" (Top adds 1.1")
Frame Adjustable Range	W(31.89-51.57")*D(21.65")
Foot Length Size (2 Options)	23.62" or 27.56"
Speed	1.6" /second
Maximum Lifting Capacity	264 lbs
Input	100-240V

OFD-CI2ELBASE-A- 2 Stage, Dual Motor Electric Height Adjustable Base

OFD-CI2ELBASE-A- 2 Stage, Dual Motor Electric Height Adjustable Base

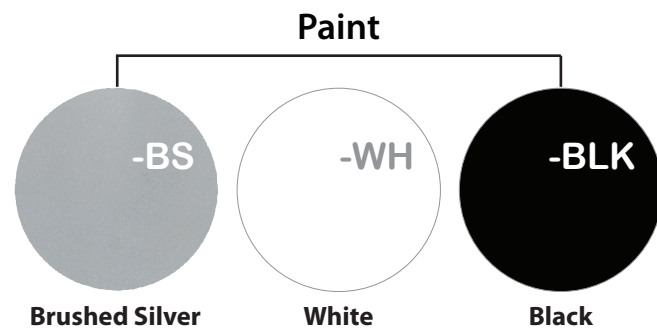


(-BS) Brushed Silver



3 Memory Controller with 2 USB Ports

(Optional Casters)



Smart L-type Products Automatic Lifting

Noise Level 45db

Warranty Period Lifetime Limited



RoHS

TYPE	DATA
Leg Shape	Square
Frame Height Adjustable Range	27.20" - 45.30" (Top adds 1.1")
Frame Adjustable Range	W(40-70.87")*D(21.5")
Foot Length Size (2 Options)	23.62" or 27.56"
Speed	1.6" /second
Maximum Lifting Capacity	264 lbs
Input	100-240V

OFD-CI3ELBASE-A- 3 Stage, Dual Motor Electric Height Adjustable Base

OFD-CI3ELBASE-A- 3 Stage, Dual Motor Electric Height Adjustable Base



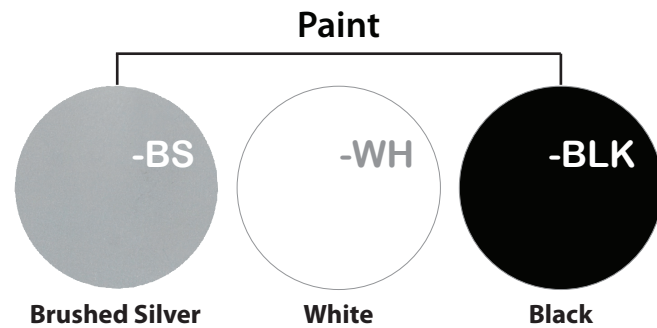
(-BS) Brushed Silver



3 Memory Controller with 2 USB Ports



(Optional Casters)

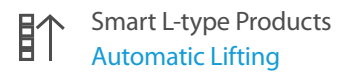


Paint

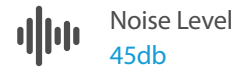
Brushed Silver

White

Black



Smart L-type Products Automatic Lifting



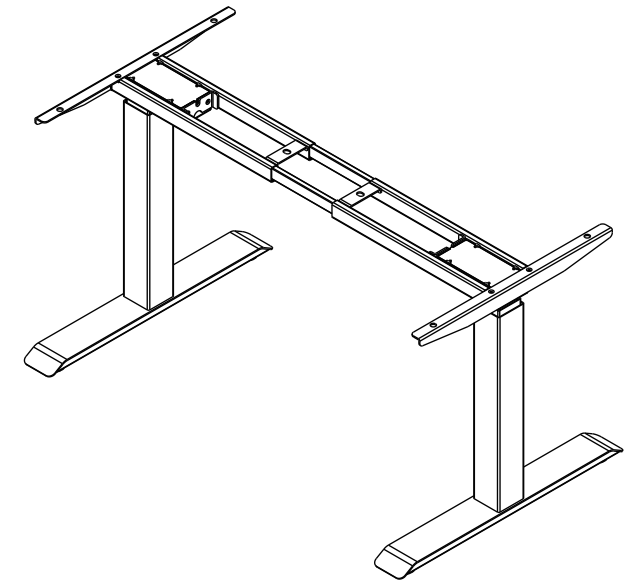
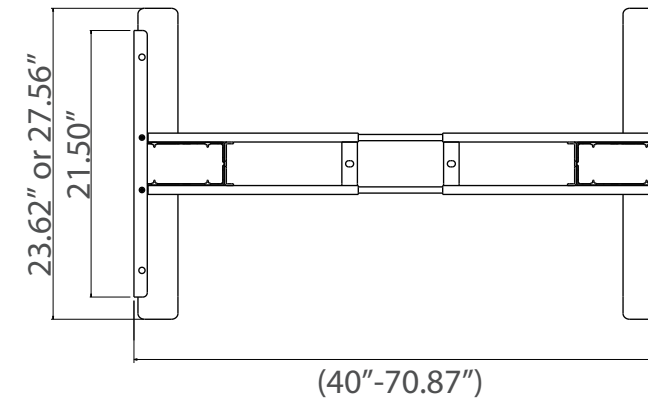
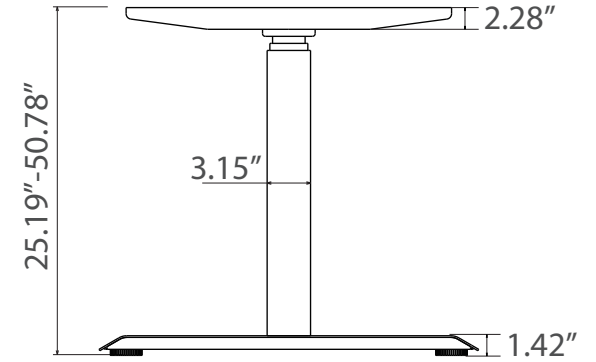
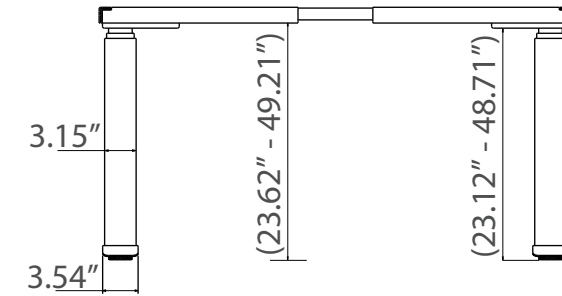
Noise Level 45db



Warranty Period Lifetime Limited



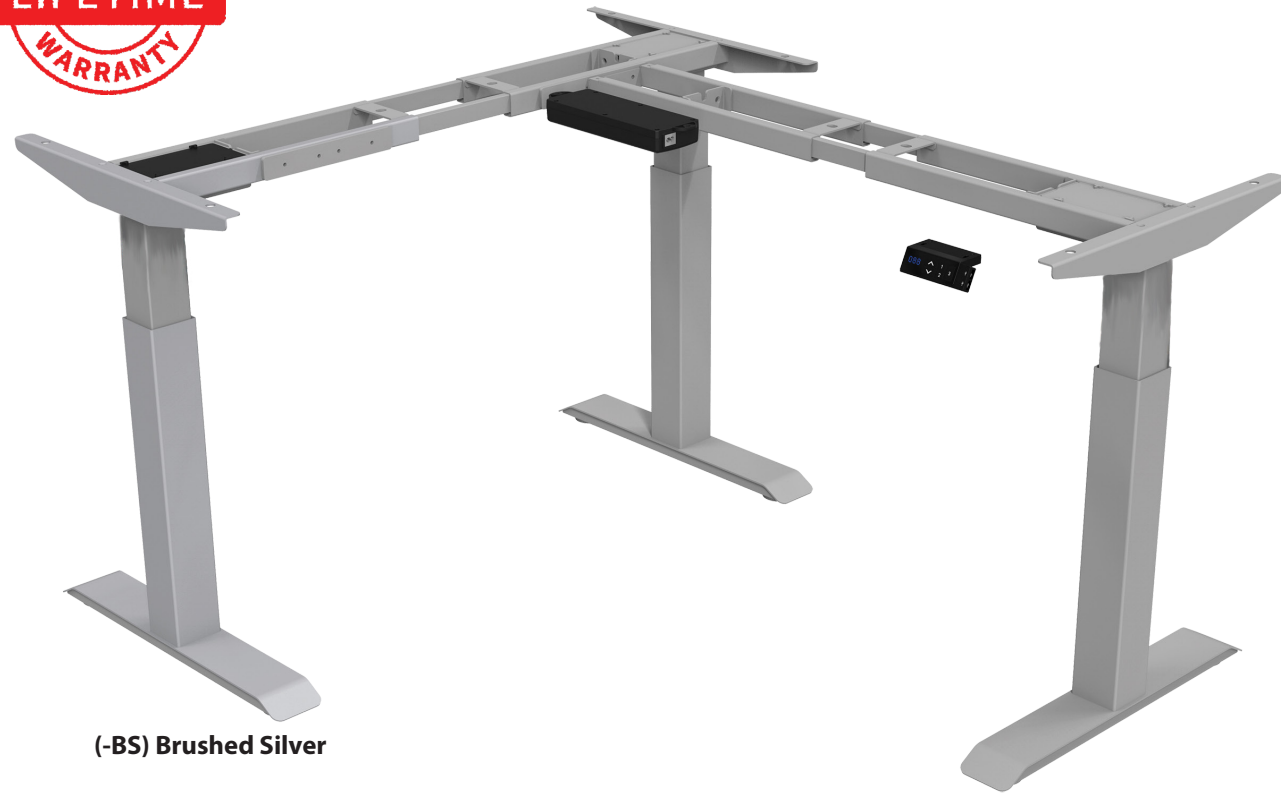
RoHS



TYPE	DATA
Leg Shape	Square
Frame Height Adjustable Range	25.19" - 50.78" (Top adds 1.1")
Frame Adjustable Range	W(40-70.87")*D(21.5")
Foot Length Size (2 Options)	23.62" or 27.56"
Speed	1.6" /second
Maximum Lifting Capacity	264 lbs
Input	100-240V

OFD-CI2ELBASE-90- 2 Stage 90° Electric Height Adjustable Base

OFD-CI2ELBASE-90- 2 Stage 90° Electric Height Adjustable Base

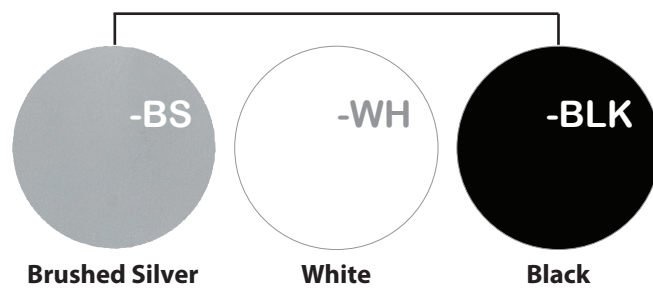


(-BS) Brushed Silver



3 Memory Controller
with 2 USB Ports

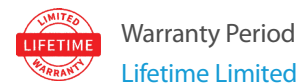
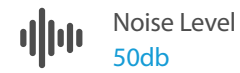
Paint



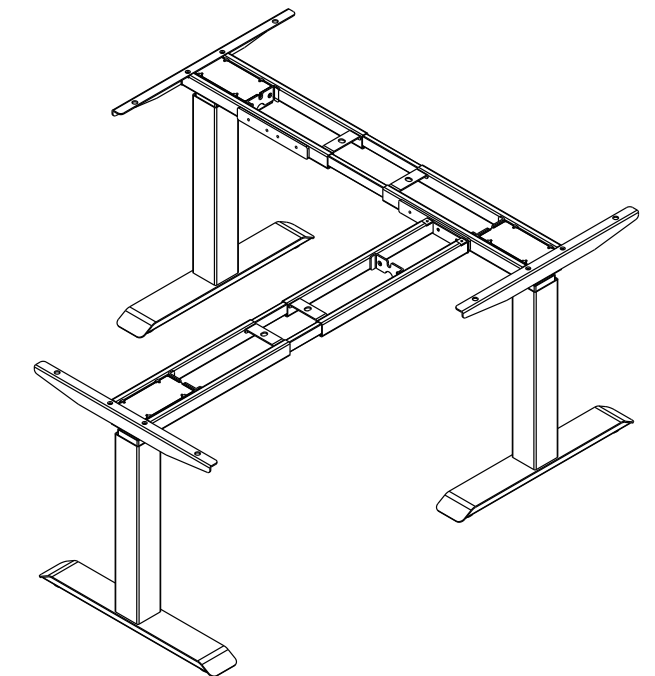
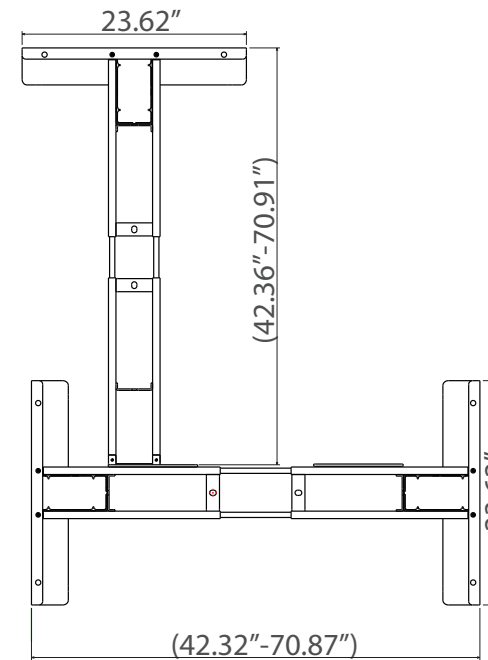
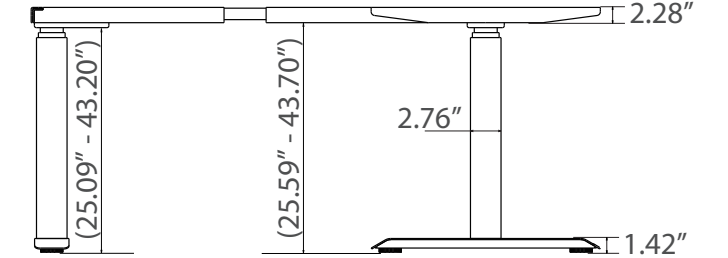
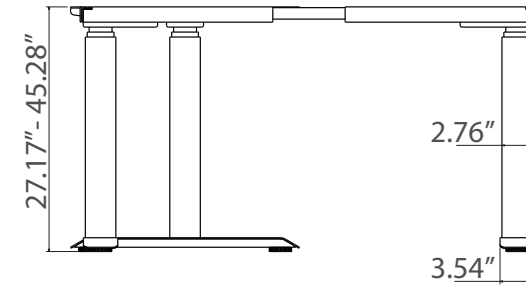
Brushed Silver

White

Black



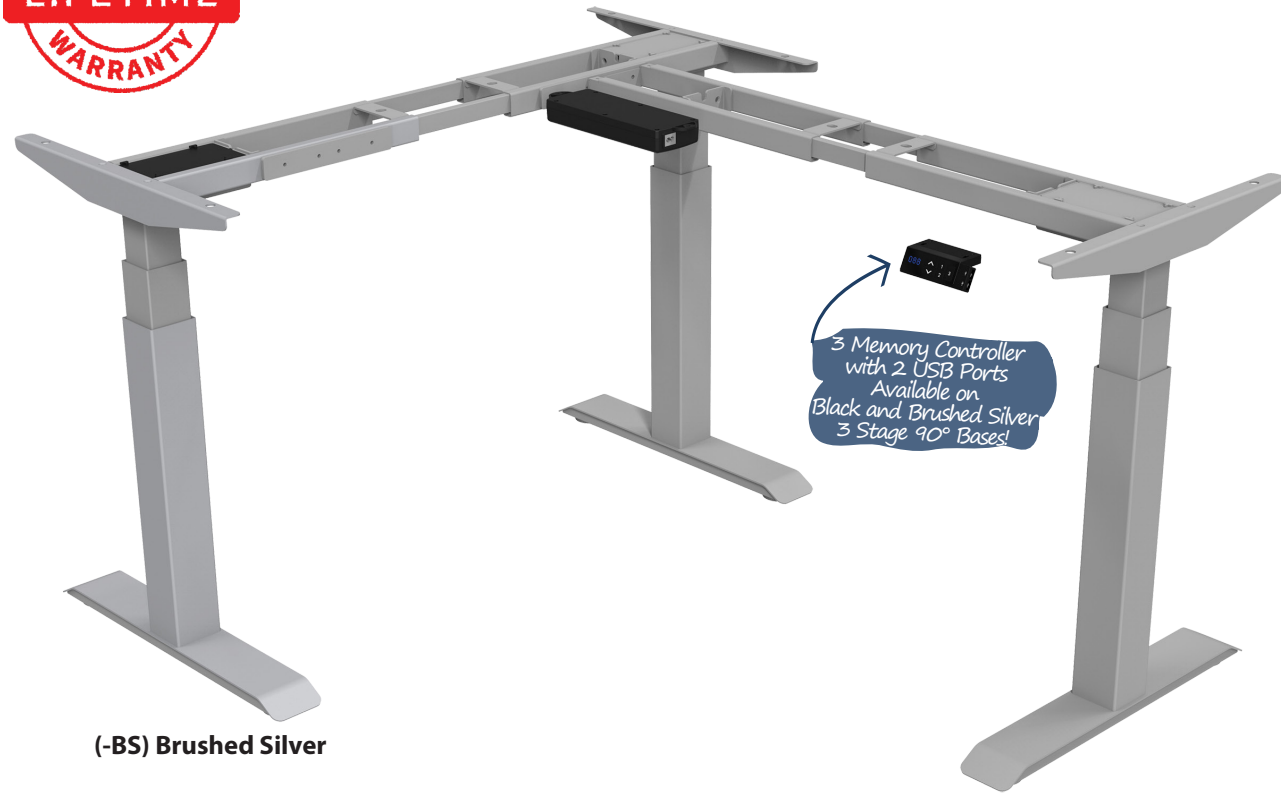
RoHS



TYPE	DATA
Leg Shape	Square
Frame Height Adjustable Range	27.17" - 45.28" (Top adds 1.1")
Frame Adjustable Range	W(42.36-70.91")+(42.32-70.87")*D(23.62")
Foot Length Size	23.62"
Speed	1.26 "/second
Maximum Lifting Capacity	330 lbs
Input	100-240V

OFD-CI3ELBASE-90- 3 Stage 90° Electric Height Adjustable Base

OFD-CI3ELBASE-90- 3 Stage 90° Electric Height Adjustable Base



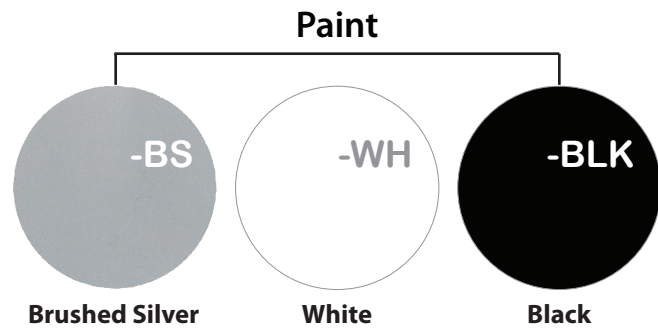
(-BS) Brushed Silver

3 Memory Controller with 2 USB Ports Available on Black and Brushed Silver 3 Stage 90° Bases!



4 Memory Controller
Available on White and Brushed Silver 3 Stage 90° Bases

Smart L-type Products Automatic Lifting

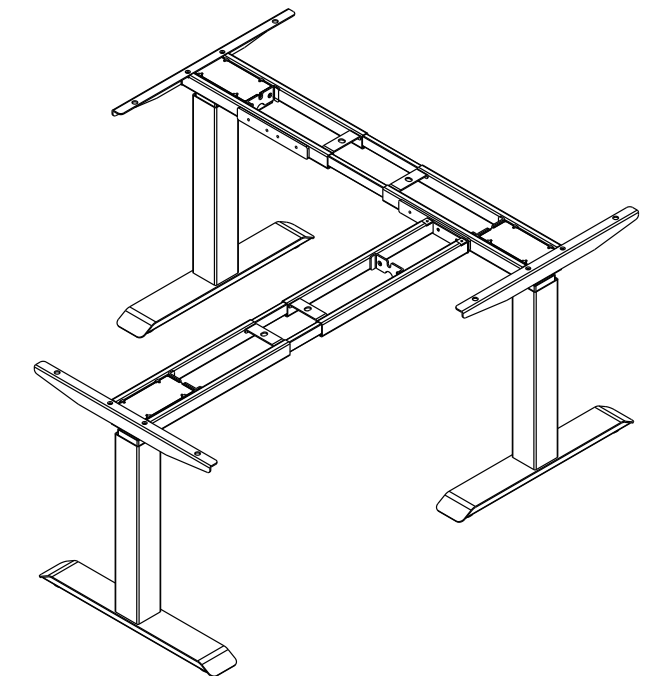
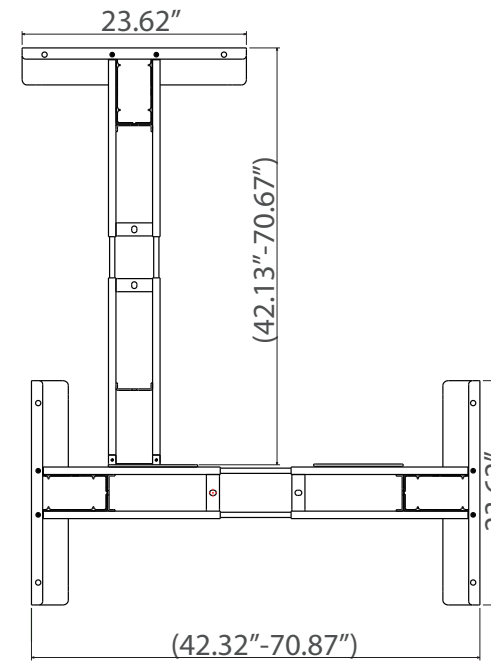
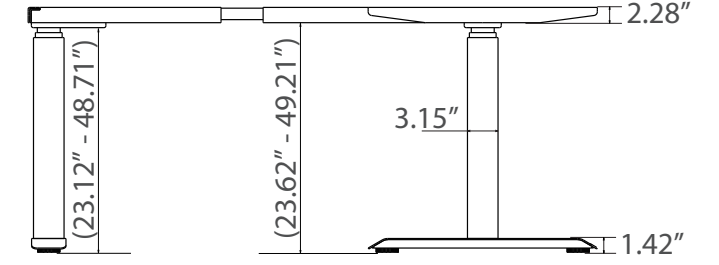
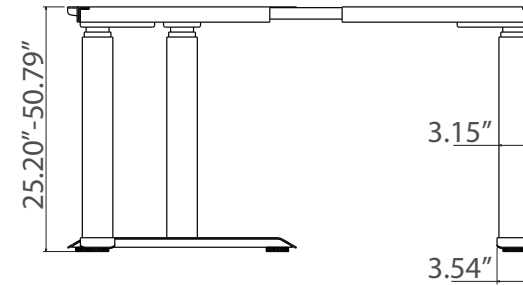


Noise Level 45db

Warranty Period Lifetime Limited



RoHS



TYPE	DATA
Leg Shape	Square
Frame Height Adjustable Range	25.20" - 50.79" (Top adds 1.1")
Frame Adjustable Range	W(42.13-70.67")+(42.32-70.87")*D(23.62")
Foot Length Size	23.62"
Speed	1.6" /second
Maximum Lifting Capacity	330 lbs
Input	100-240V

OFD-CI2ELBASE-120- 2 Stage 120° Electric Height Adjustable Base

OFD-CI2ELBASE-120- 2 Stage 120° Electric Height Adjustable Base



(-BS) Brushed Silver

Smart L-type Products



3 Memory Controller with 2 USB Ports

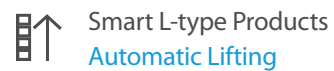
Paint



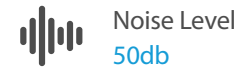
Brushed Silver

White

Black



Smart L-type Products Automatic Lifting



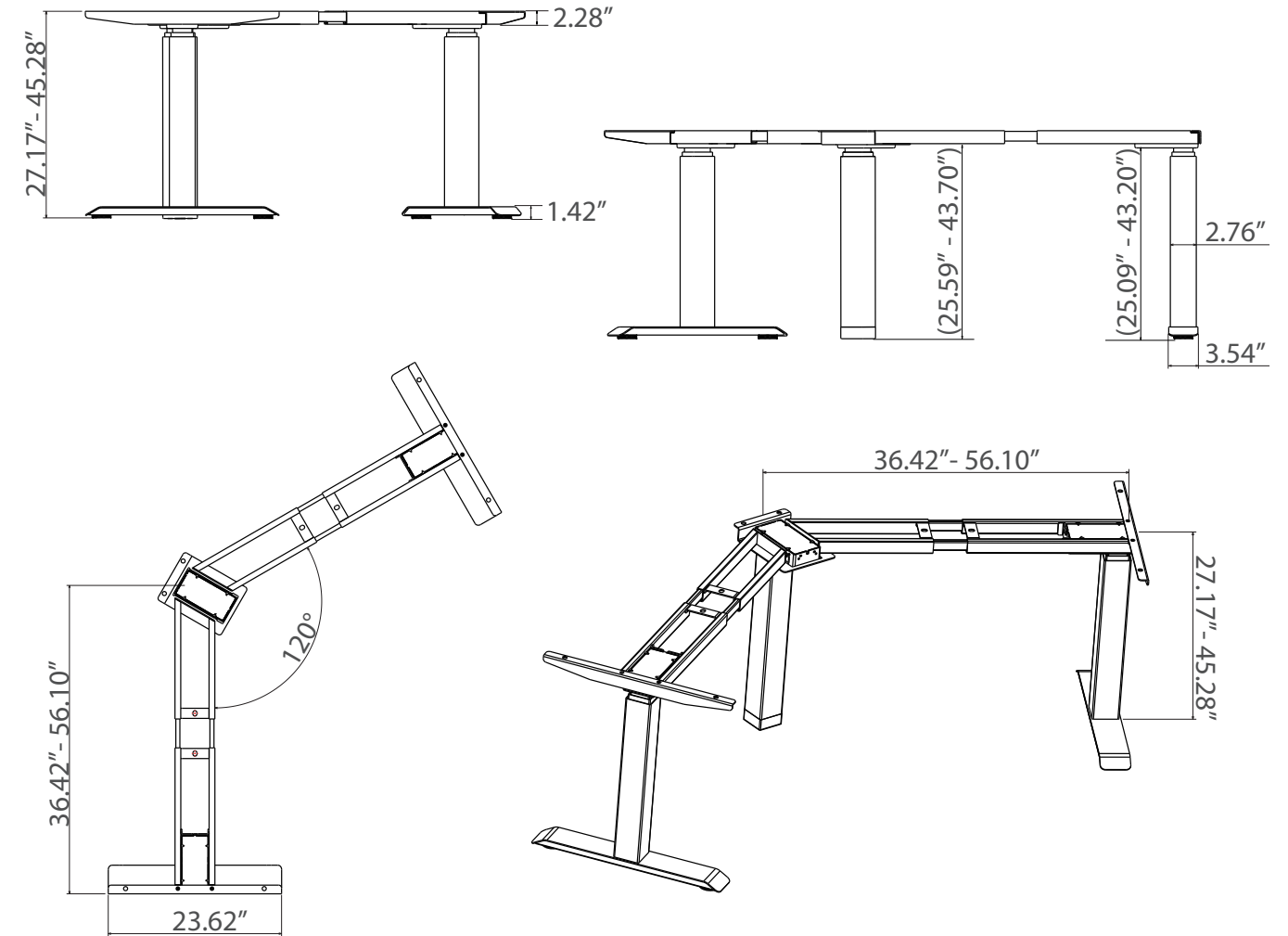
Noise Level 50db



Warranty Period Lifetime Limited



RoHS



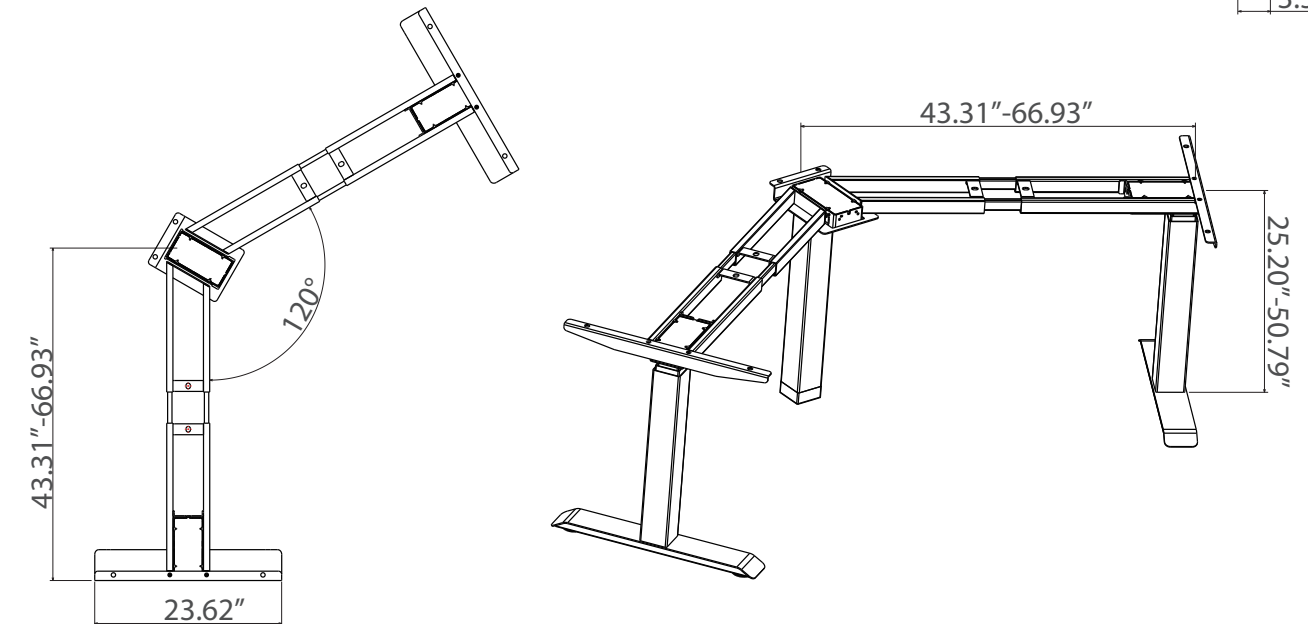
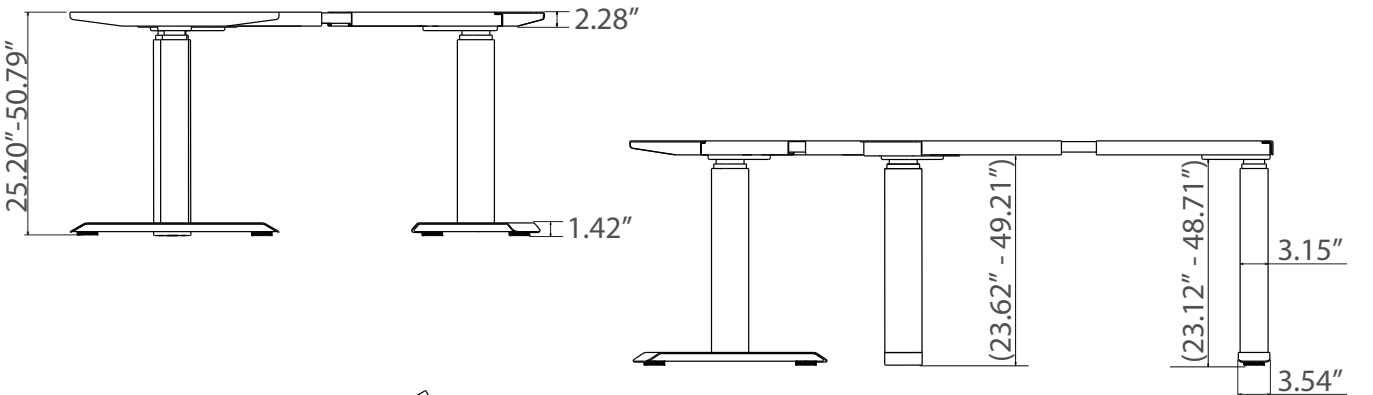
TYPE	DATA
Leg Shape	Square
Frame Height Adjustable Range	27.17" - 45.28" (Top adds 1.1")
Frame Adjustable Range	W(36.42-56.10")+(36.42-56.10")*D(23.62")
Foot Length Size	23.62"
Speed	1.26" /second
Maximum Lifting Capacity	330 lbs
Input	100-240V

OFD-CI3ELBASE-120- 3 Stage 120° Electric Height Adjustable Base

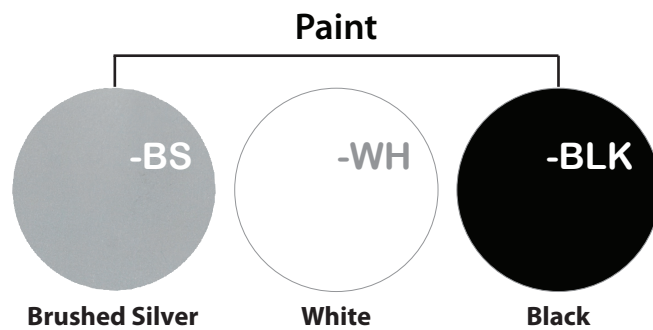
OFD-CI3ELBASE-120- 3 Stage 120° Electric Height Adjustable Base



(-BS) Brushed Silver



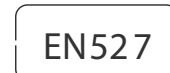
3 Memory Controller with 2 USB Ports



Smart L-type Products Automatic Lifting

Noise Level 45db

Warranty Period Lifetime Limited



RoHS

TYPE	DATA
Leg Shape	Square
Frame Height Adjustable Range	25.20" - 50.79" (Top adds 1.1")
Frame Adjustable Range	W(43.31-66.93")+(43.31-66.93")*D(23.62")
Foot Length Size	23.62"
Speed	1.6" /second
Maximum Lifting Capacity	330 lbs
Input	100-240V



OFD-CI2DBLELBASE- 2 Stage Double Electric Height Adjustable Base



(-BS) Brushed Silver



3 Memory Controller
with 2 USB Ports

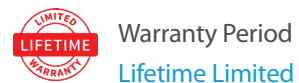
Paint



Brushed Silver

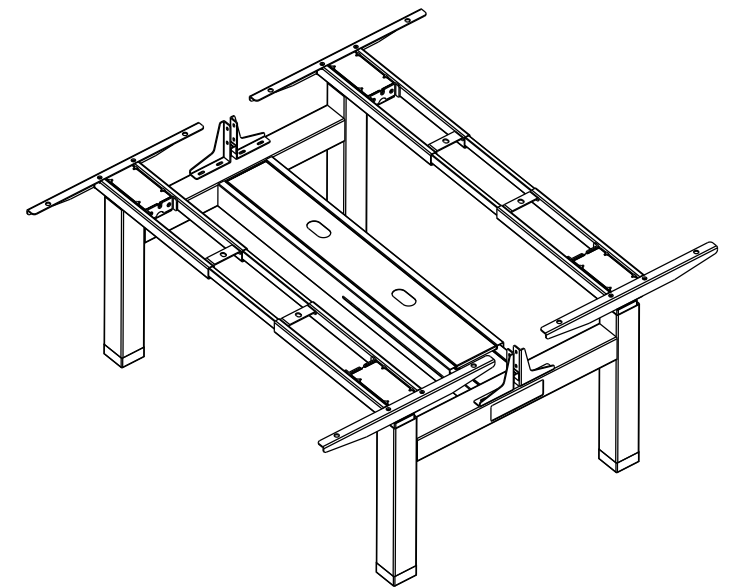
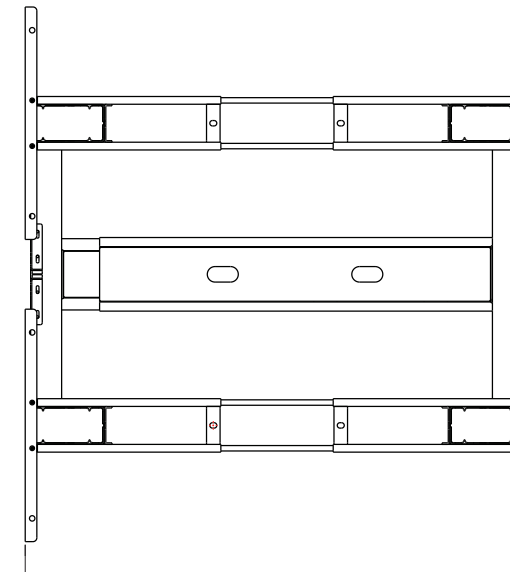
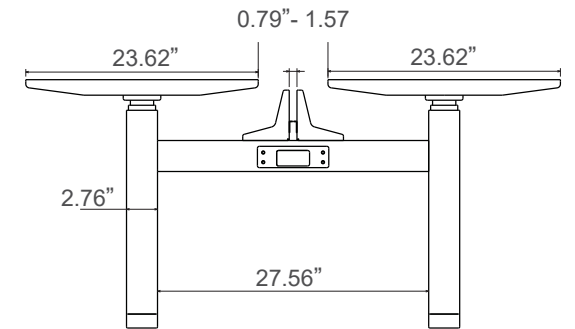
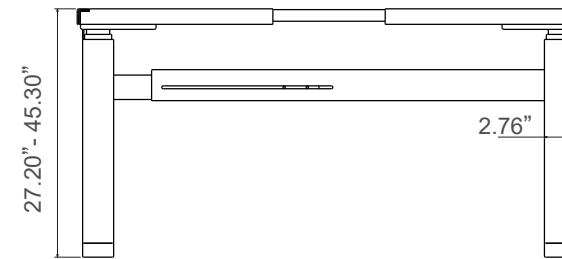
White

Black



RoHS

OFD-CI2DBLELBASE- 2 Stage Double Electric Height Adjustable Base



(49.21" - 62.60")

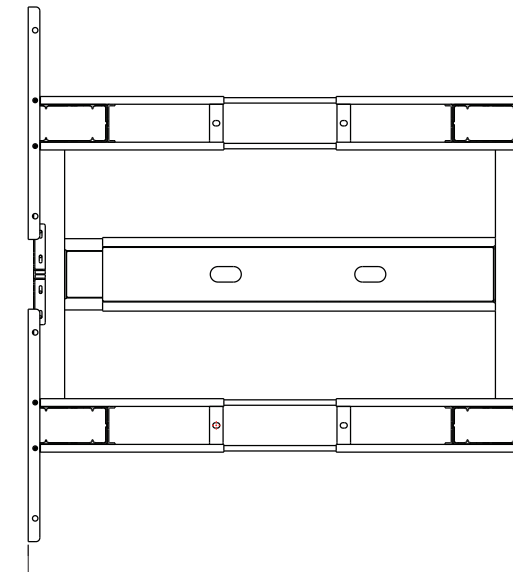
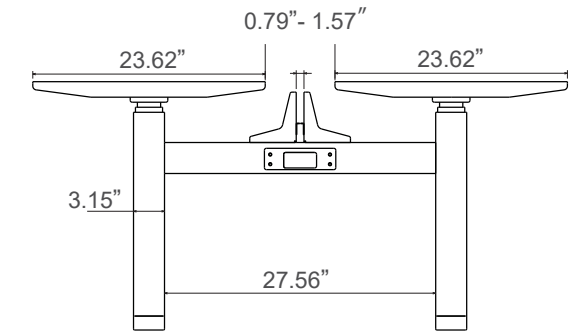
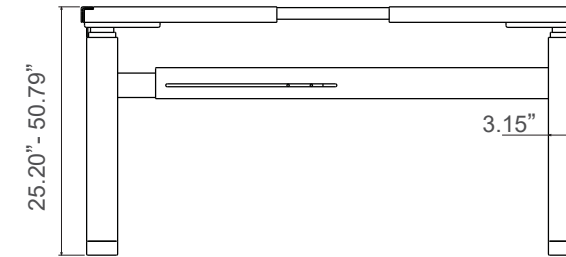
TYPE	DATA
Leg Shape	Square
Frame Height Adjustable Range	27.20" - 45.30" (Top adds 1.1")
Frame Adjustable Range	W(49.21-62.60")*D(23.62")
Foot Length Size	2.76" x 2.76"
Speed	1.6" /second
Maximum Lifting Capacity	264 lbs
Input	100-240V

OFD-CI3DBLELBASE- 3 Stage Double Electric Height Adjustable Base

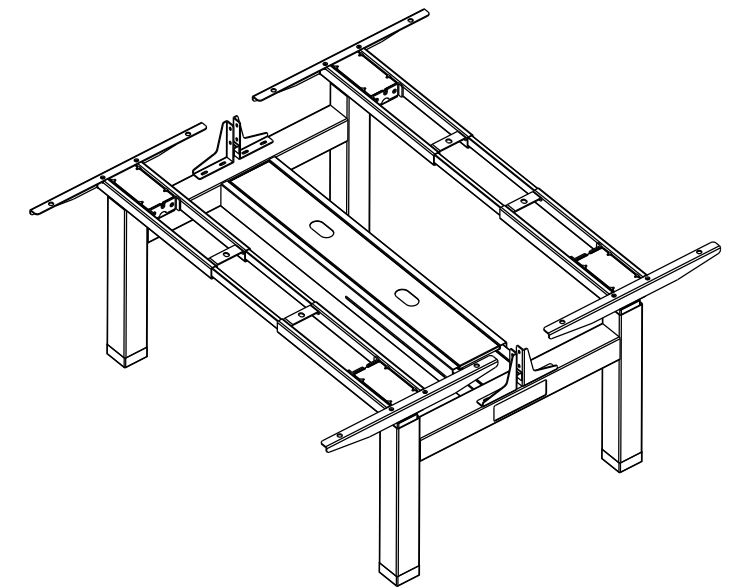
OFD-CI3DBLELBASE- 3 Stage Double Electric Height Adjustable Base



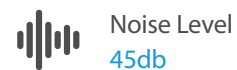
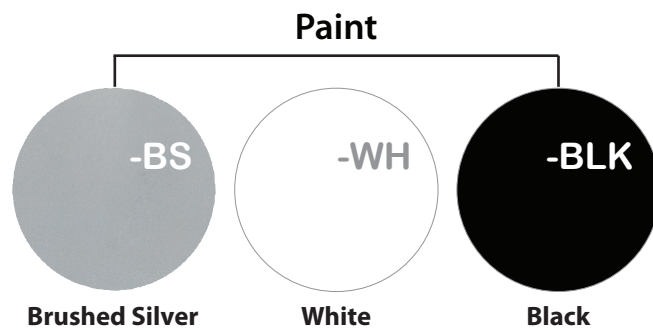
(-BS) Brushed Silver



(49.21" - 62.60")



3 Memory Controller
with 2 USB Ports



Noise Level
45db



Warranty Period
Lifetime Limited

Smart L-type Products
Automatic Lifting



RoHS

TYPE	DATA
Leg Shape	Square
Frame Height Adjustable Range	25.20" - 50.79" (Top adds 1.1")
Frame Adjustable Range	W(49.21-62.60")*D(23.62")
Foot Length Size	3.15" x 3.15"
Speed	1.6" /second
Maximum Lifting Capacity	264 lbs
Input	100-240V

OFD-LIP48-

Pneumatic Height Adjustable Base for 24" x 48" Work Surfaces



- Adjusts from 29.2" - 43" (Plus top)
- Steel Frame
- Pneumatic Lift Assist
- Brushed Silver Paint
- Perforated Metal Modesty Panel
- Standard with Locking Casters

OFD-LIP60-

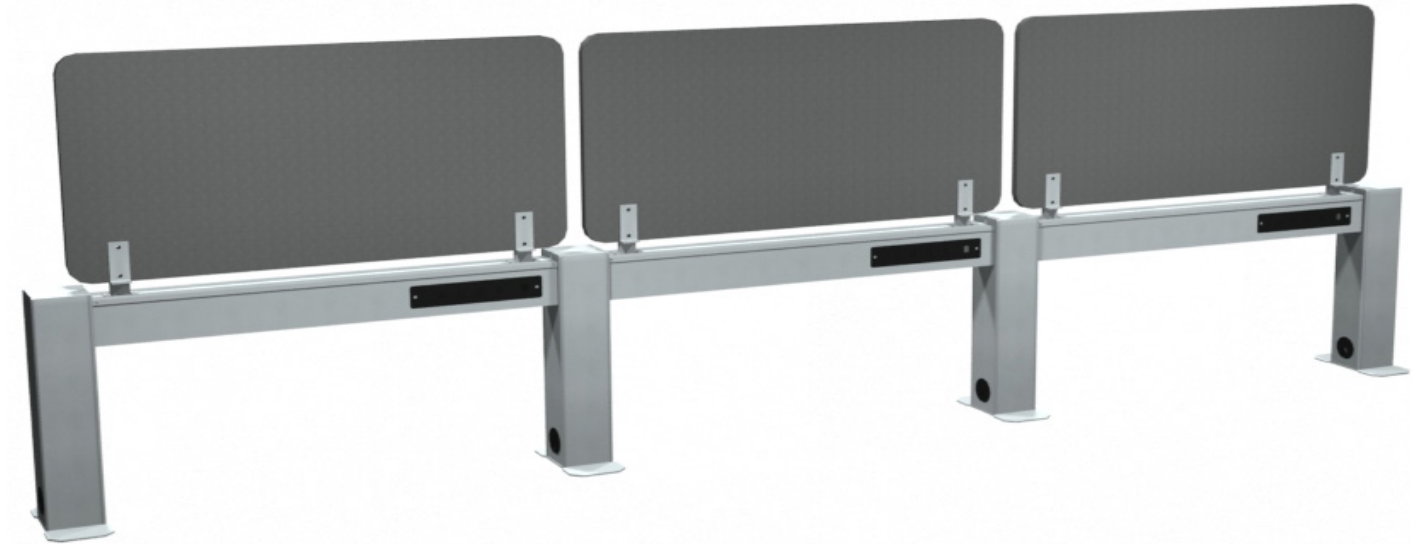
Pneumatic Height Adjustable Base for 24" x 60" Work Surfaces



- Adjusts from 29.2" - 43" (Plus top)
- Steel Frame
- Pneumatic Lift Assist
- Brushed Silver Paint
- Perforated Metal Modesty Panel
- Standard with Locking Casters

Power Beam

Specification Guide



Each end leg comes standard with feet, 2 grommets, and top cap. Shared legs come standard with feet, 2 grommets, and top cap. (June 2020 the Shared legs will provide 2 way, 3 way and 4 way connections.)

Beam troughs come standard with top cap, 2 power panels with 3 plugs, 2 USB and 1 RJ45 knock out, and each power panel has a 110 plug on the end to plug into power.

Fabric Screens/Brackets sold separate

In single applications, the plug can be routed out the grommet in the end leg, and plugged directly into the wall.

In 2 or more beams in a row, internal power blocks, jumpers, and a base in feed are required to connect to the building power (Building connection REQUIRED by an Electrician), and the power panels are plugged into the power blocks inside the trough channel to power the external power panel.

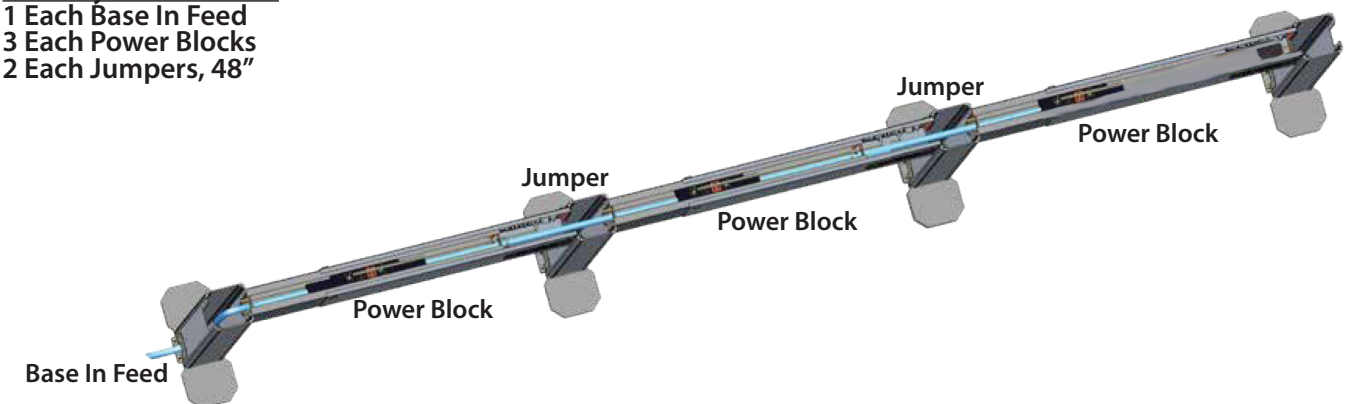
Example of how to specify Power Beam above Power Beam System with Daisy Chain Power

- 2 Each End Legs
- 2 Each Shared Legs
- 3 Each 48" Beam Troughs
- 3 Each 48" Fabric Screens with Brackets



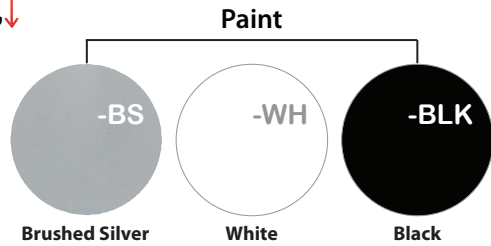
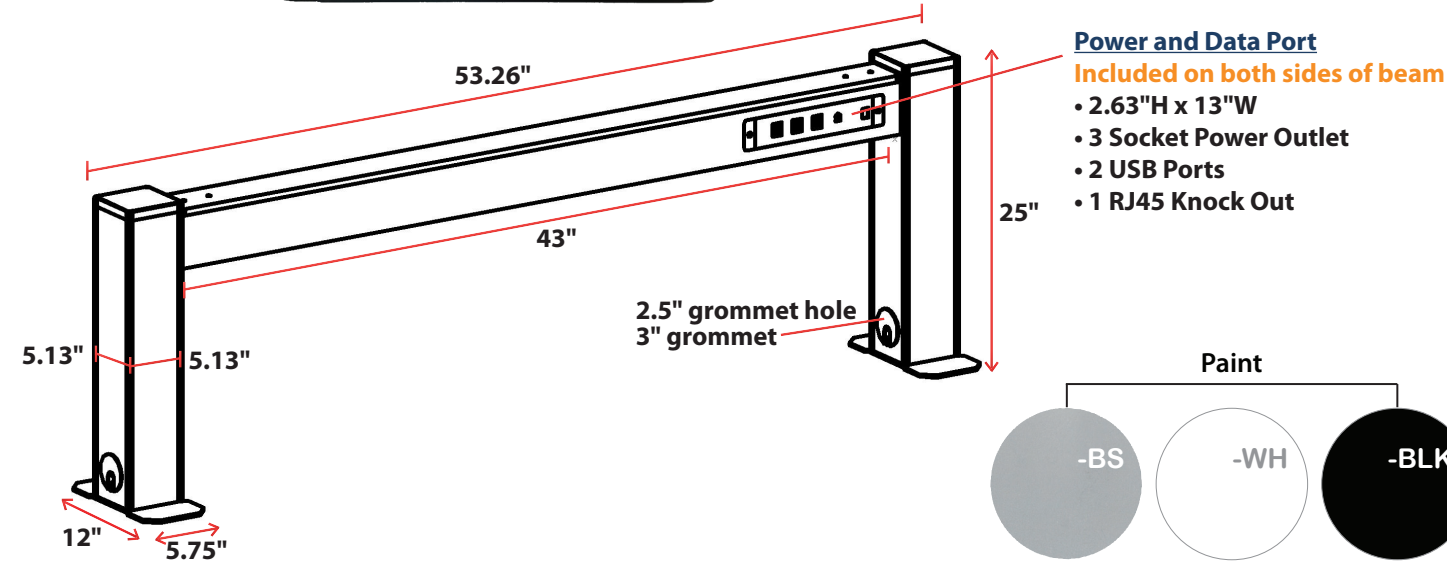
Power Panel on each side of Trough

- To Daisy Chain Power:
- 1 Each Base In Feed
 - 3 Each Power Blocks
 - 2 Each Jumpers, 48"

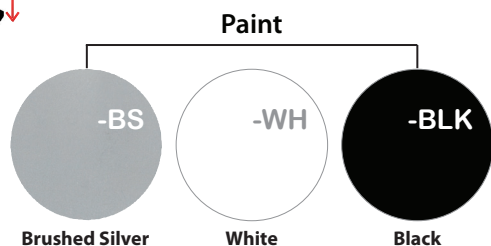
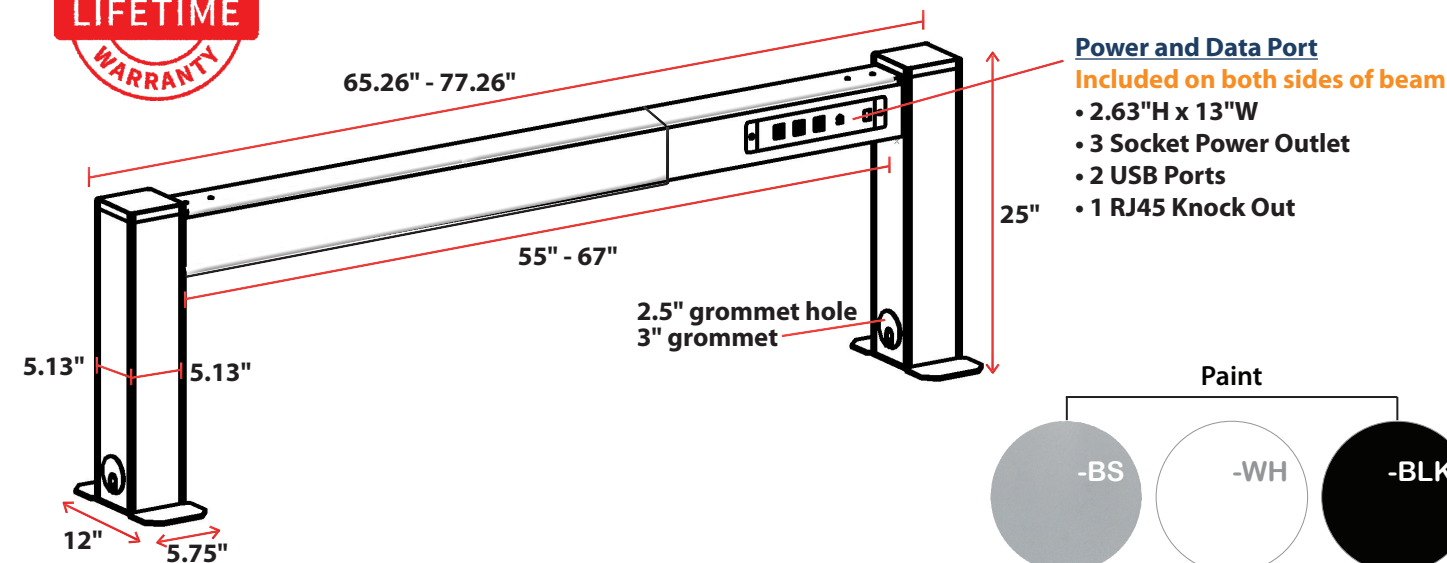




OFD-PBEAM43- Fixed Elevated Power Trough For 48" Benching



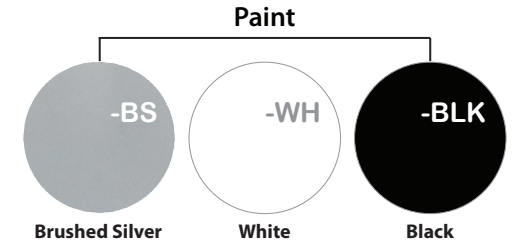
OFD-PBEAM6072- Adjustable Elevated Power Trough For 60"-72" Benching



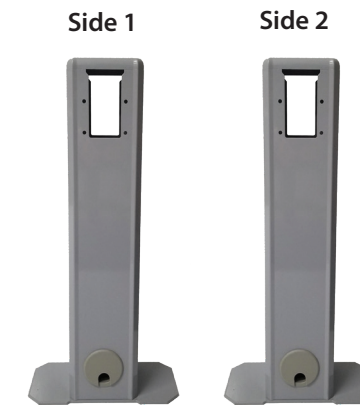
OFDBEAMENDLEG- Power Beam End Leg



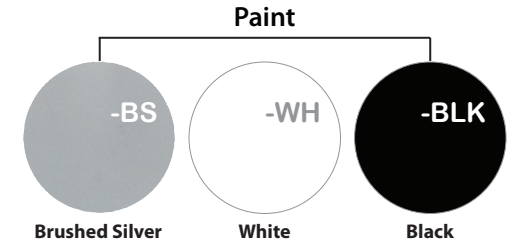
- Metal Leg
- 2 Grommets
- Leg Post 5.25"W x 5.25"D x 25.25"H
- Foot 12" x 5.75"
- Brushed Silver, White, or Black Paint



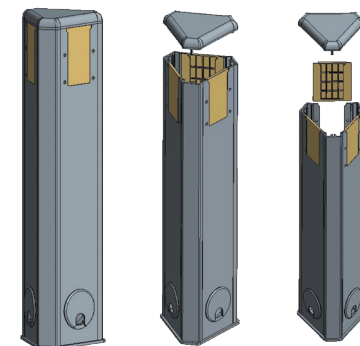
OFDBEAMSHAREDLEG- Power Beam Shared Leg



- Metal Leg
- 2 Grommets
- Can make 2 way, 3 way, or 4 way connection
- Leg Post 5.25"W x 5.25"D x 25.25"H
- Foot 12" x 5.75"
- Brushed Silver, White, or Black Paint



OFDBEAM120LEG- Power Beam 120° Shared Leg



- Metal Leg
- 3 Grommets
- Leg Post 5.25" x 5.25" x 5.25" x 25.25"H
- Brushed Silver, White, or Black Paint

