

OFDCI36BBL Castor Installation



B*2



C*2



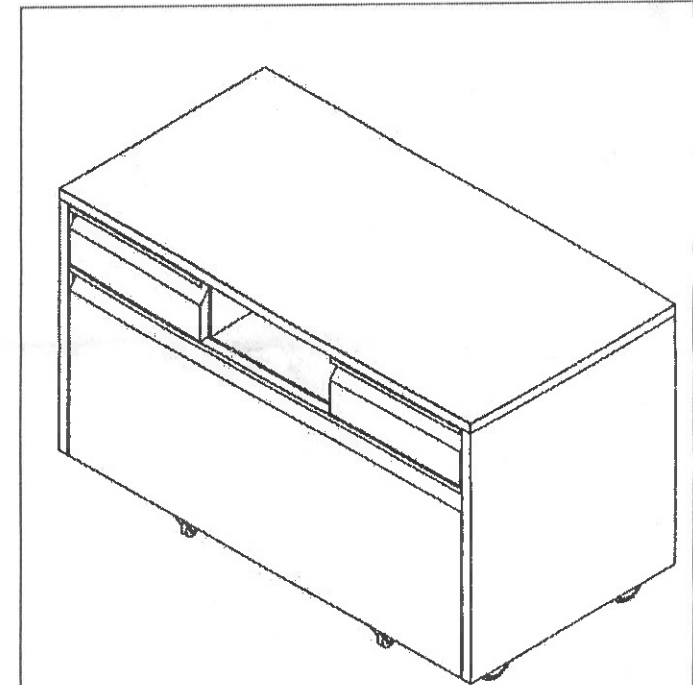
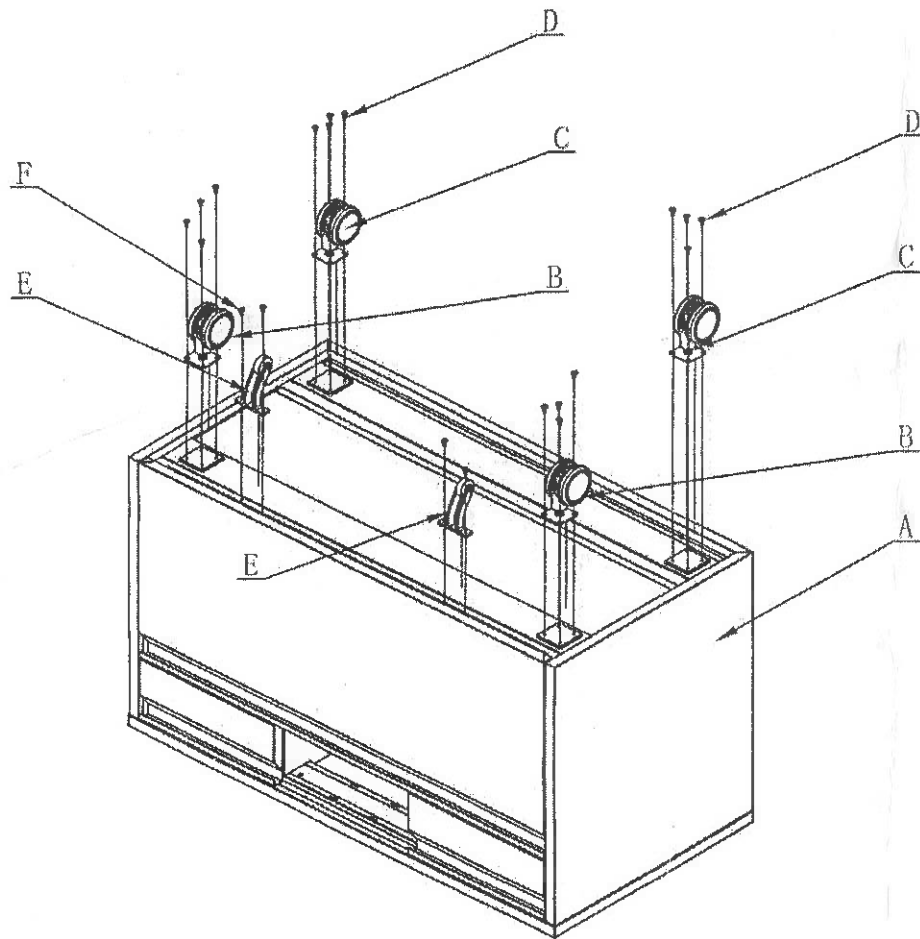
D*16



E*2



F*4



No	Name	Qty
A	case(w/h drawer)	1
B	castor(w/h brake)	2
C	castor(w/o brake)	2
D	screw M4*8	16
E	wheel	2
F	screw M4*10	4