

# OFDCI360S Castor Installation

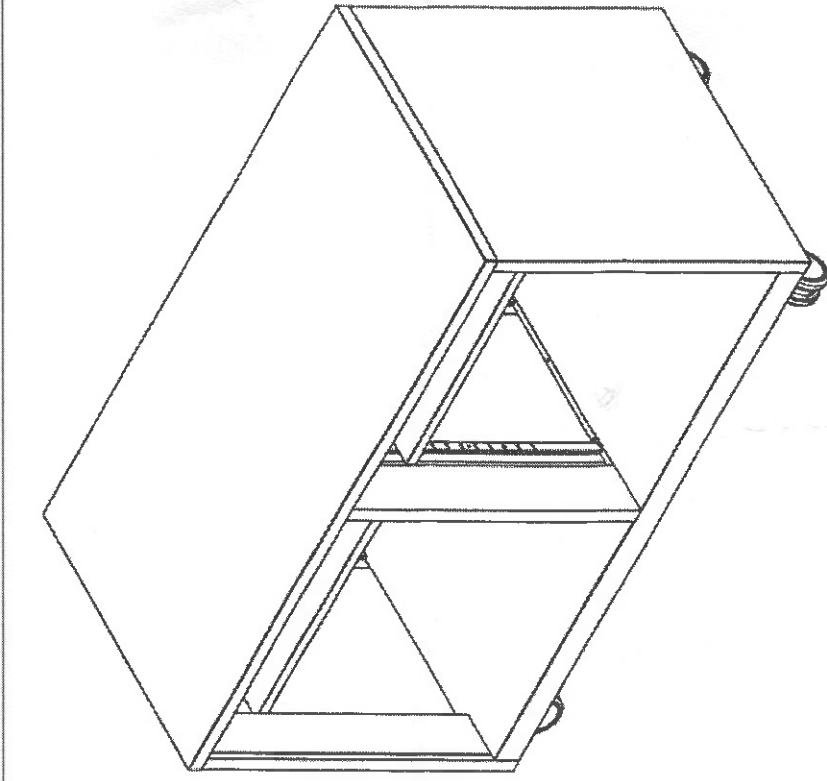
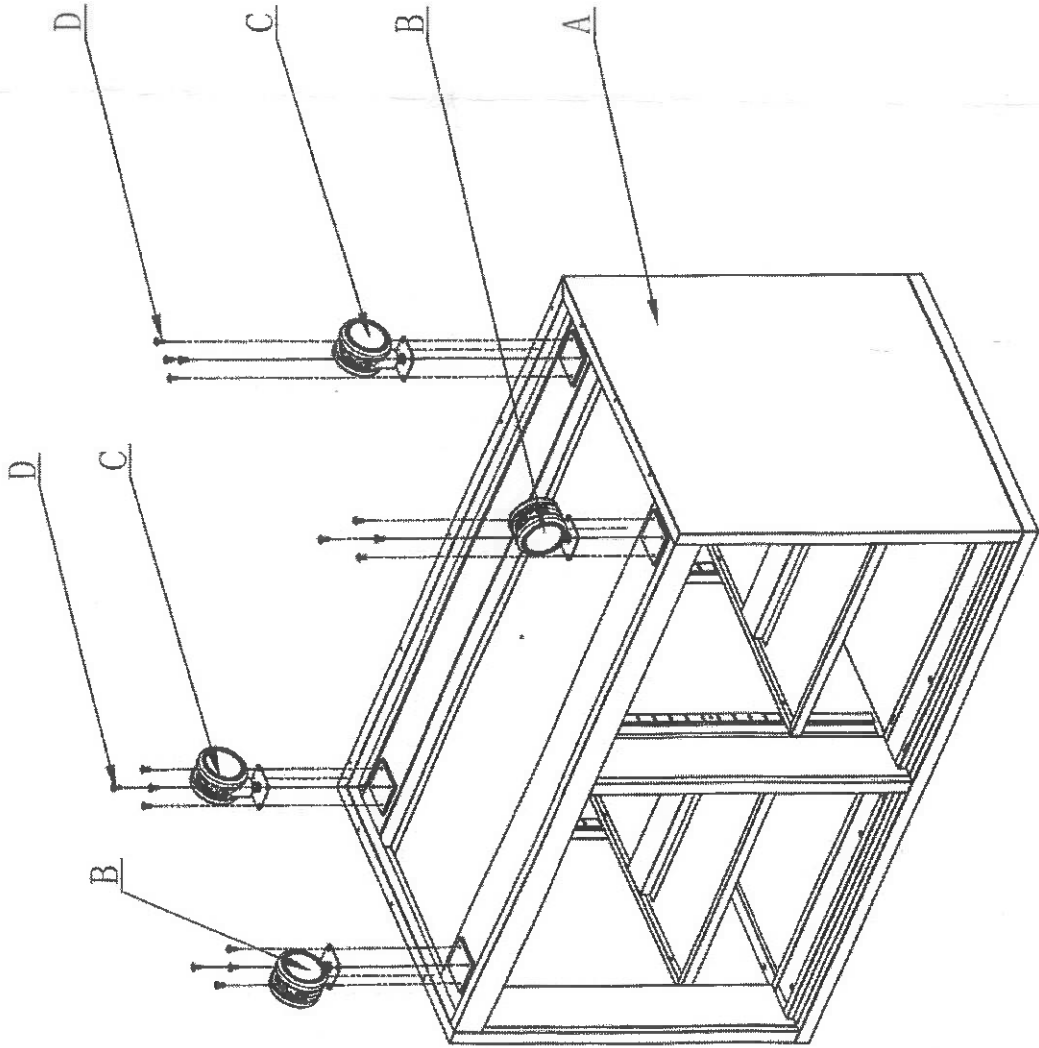


B\*2



C\*2

D\*16



No	Name	Qty
A	case	1
B	castor(w/h brake)	2
C	castor(w/h brake)	2
D	screw	16