




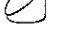
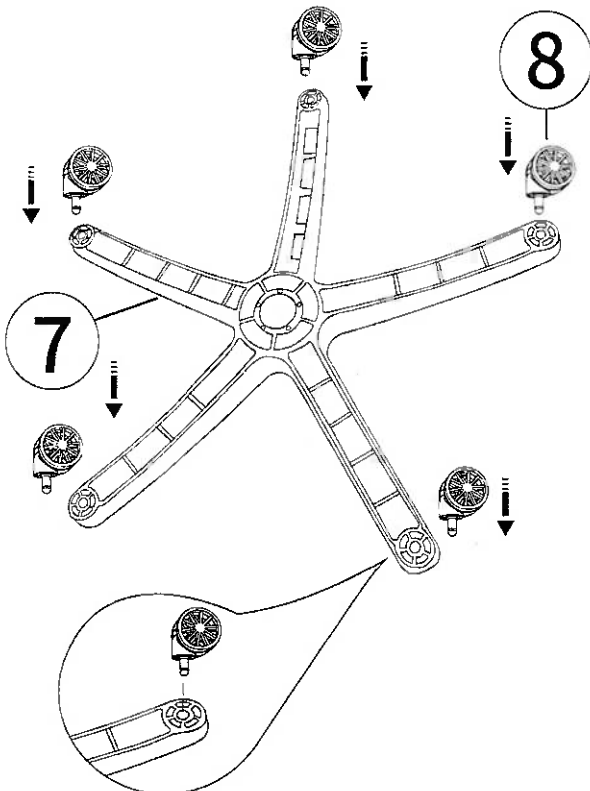


- A**  ×4
- B**  ×4
- C**  ×4
- D**  ×4
- E**  ×4
- F**  ×1

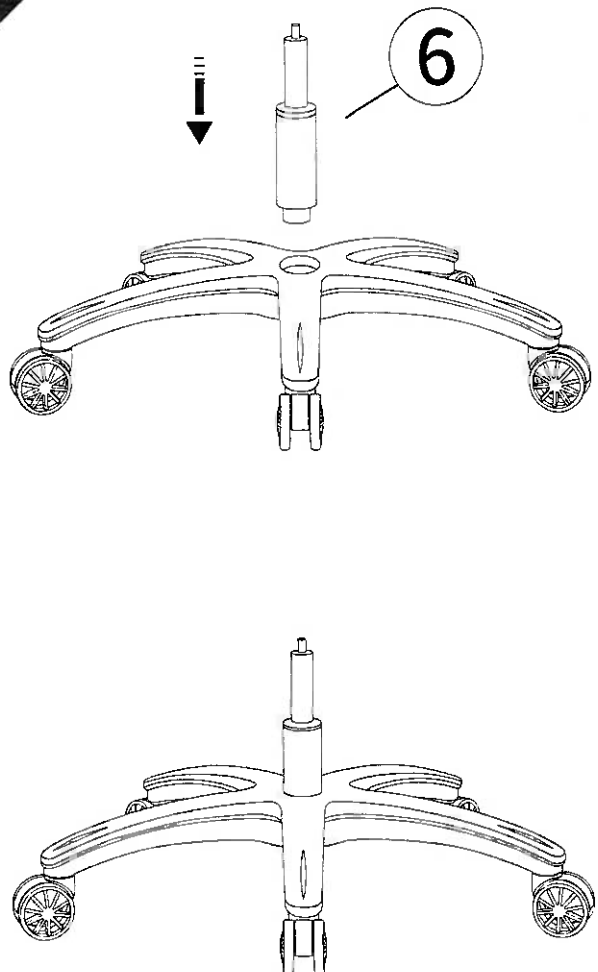


- 1. Back**
- 2. Left Armrest**
- 3. Right Armrest**
- 4. Seat**
- 5. Control Mechanism**
- 6. Cylinder Column**
- 7. Base**
- 8. Castor**

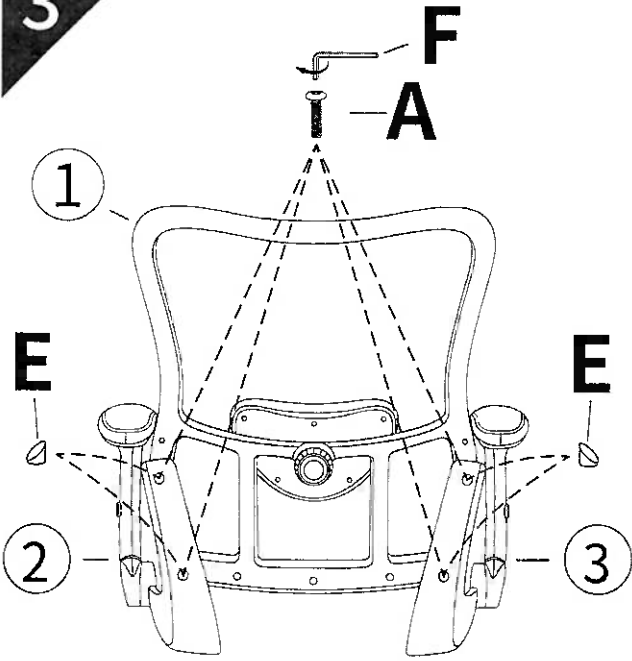
1



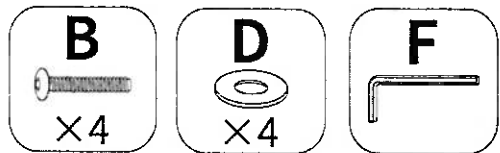
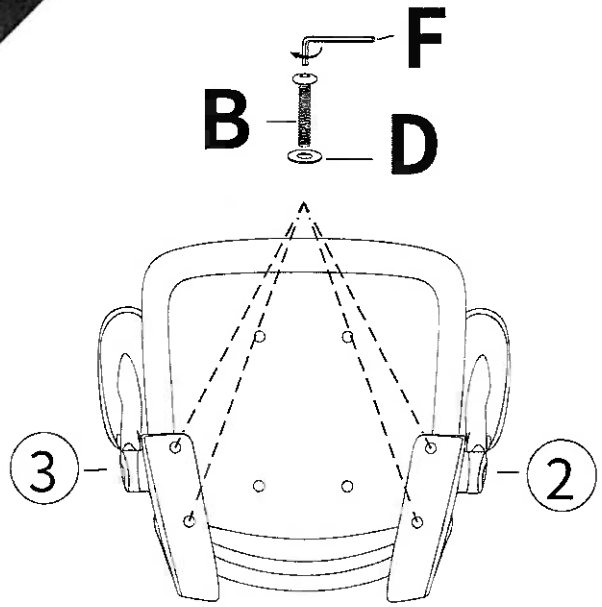
2



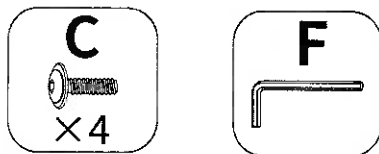
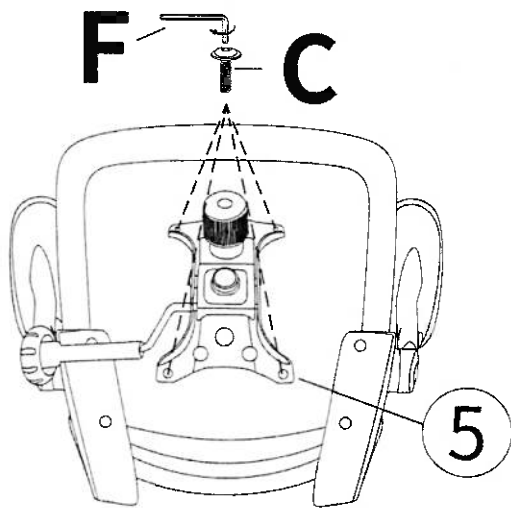
3



4



5



6

