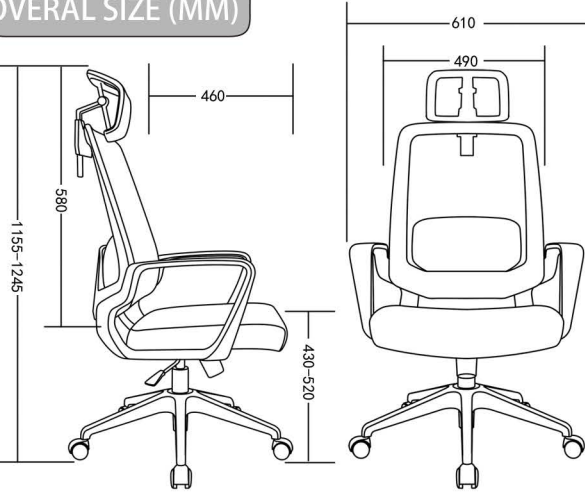


ASSEMBLY INSTRUCTIONS

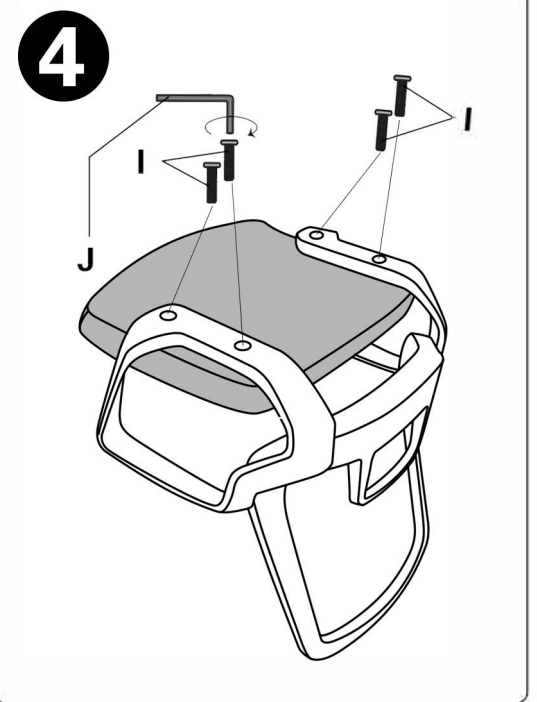
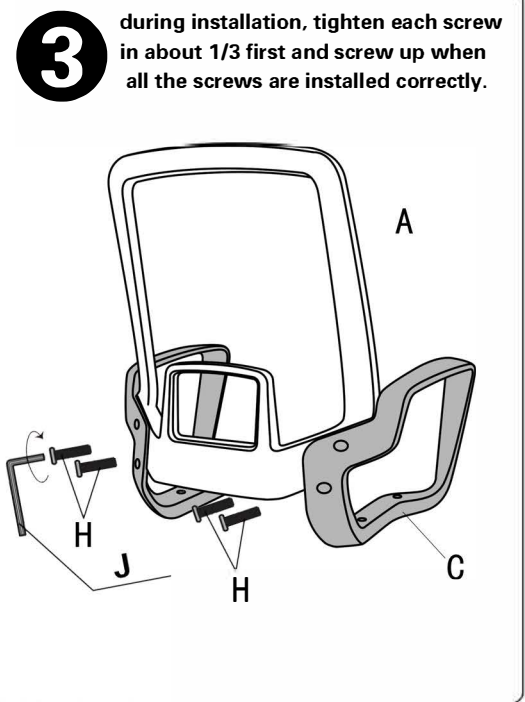
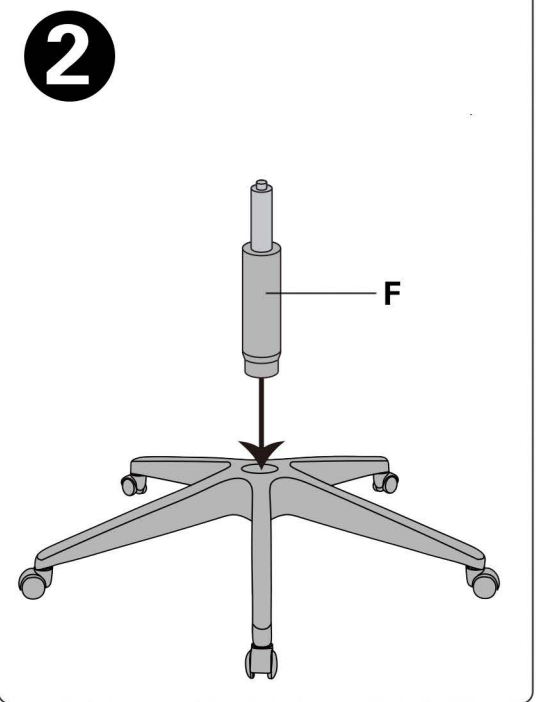
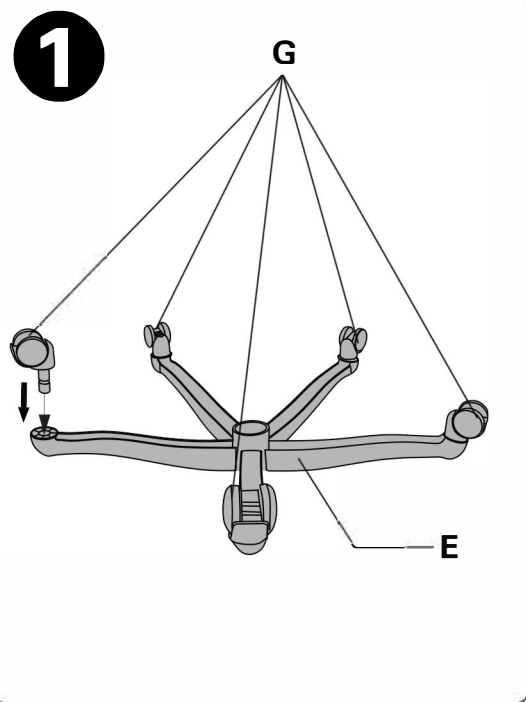
BEFORE USE AND ASSEMBLY OF THIS PRODUCT, PLEASE
READ INSTRUCTIONS CAREFULLY.

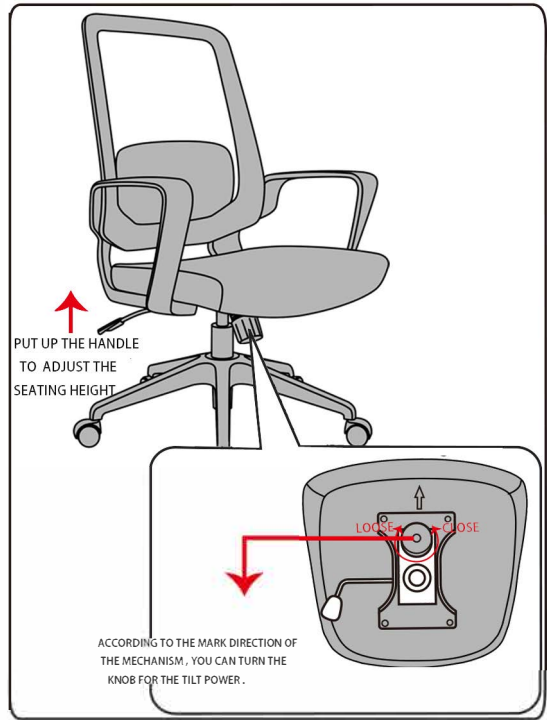
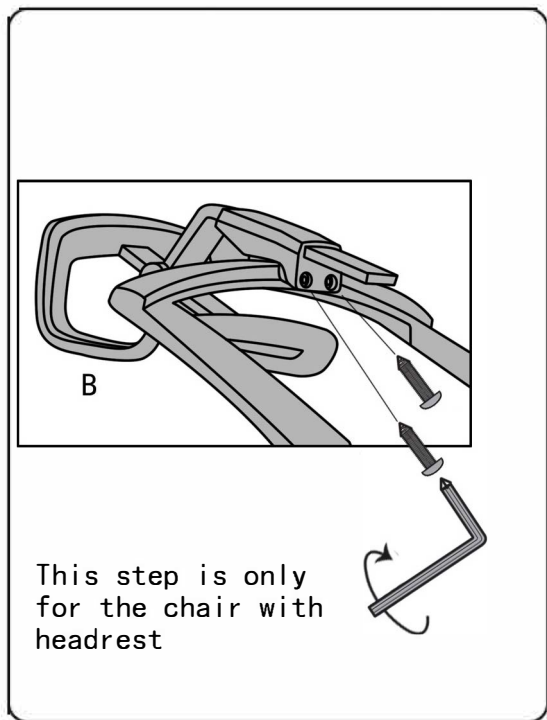
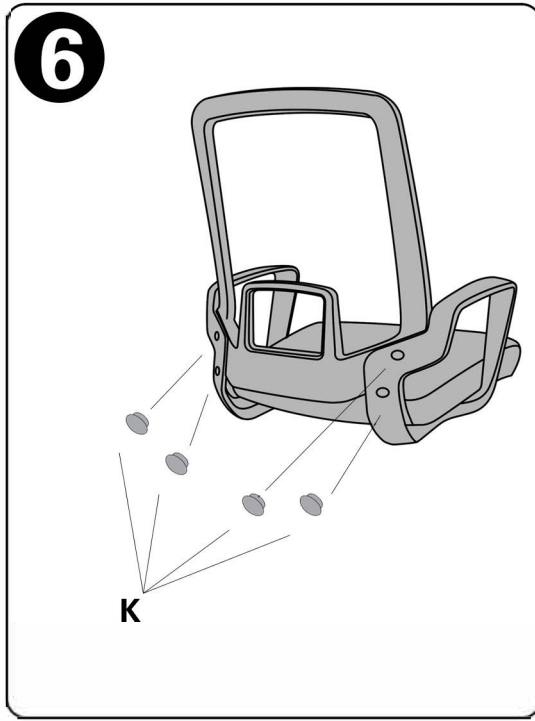
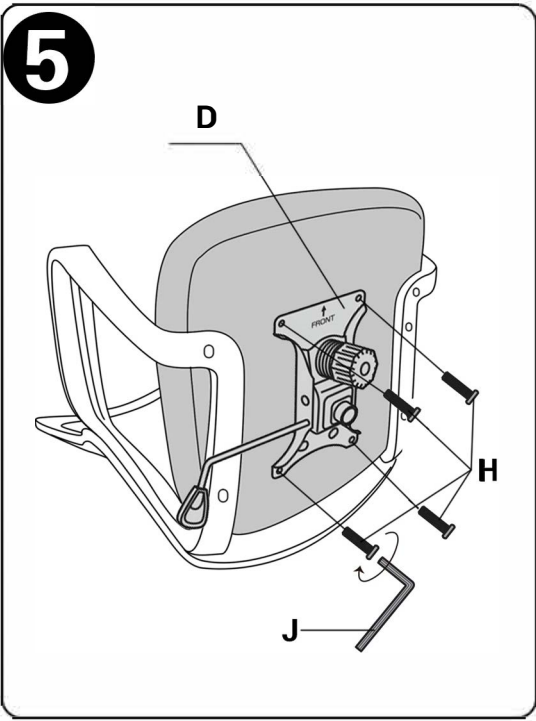
BU-401-BLK

OVERALL SIZE (MM)



A 	B 	C 	D
E 	F 	G X5 	 1. The middle back chair without headrest.
H x 8 M6X22 			
I x 4 M6X35 			
J 			
K x 4 			
X 2 (4x25MM) 			





WARNING

FAILURE TO FOLLOW THESE INSTRUCTIONS MAY RESULT IN SERIOUS INJURY.

1. THIS PRODUCT IS DESIGNED FOR SEATING ONLY. DO NOT STAND ON THIS PRODUCT. DO NOT USE IT AS A STEP LADDER.
2. DO NOT USE THIS PRODUCT UNLESS ALL BOLTS AND PARTS ARE FIRMLY TIGHTENED. CHECK ALL THE PARTS FOR SAFETY AT LEAST EVERY 3 MONTHS.
3. IF ANY PARTS ARE MISSING, DAMAGED OR WORN, STOP USING THIS PRODUCT. INSTALL THE PRODUCT WITH MANUFACTURER'S SUPPLIED PARTS ONLY.
4. DO NOT SIT ON THE ARMREST OF THIS PRODUCT.
5. THIS PRODUCT IS DESIGNED FOR SITTING ONE PERSON AT A TIME.
6. CHILDREN UNDER THE AGE OF 10, PLEASE USE UNDER ADULT SUPERVISION.