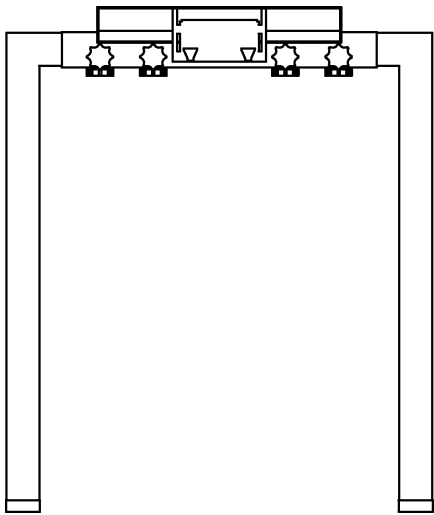


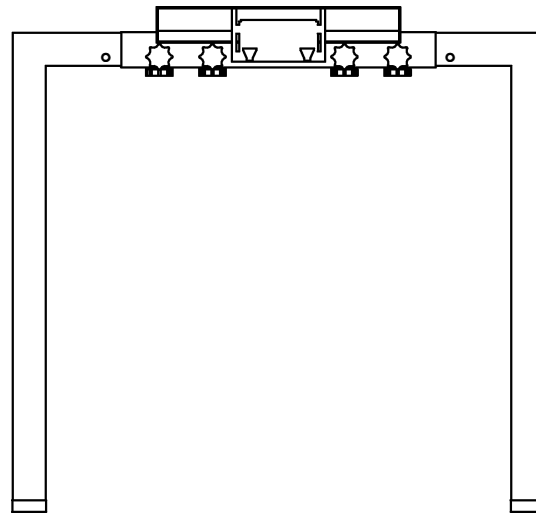
BENCH *it.* L-UNIT



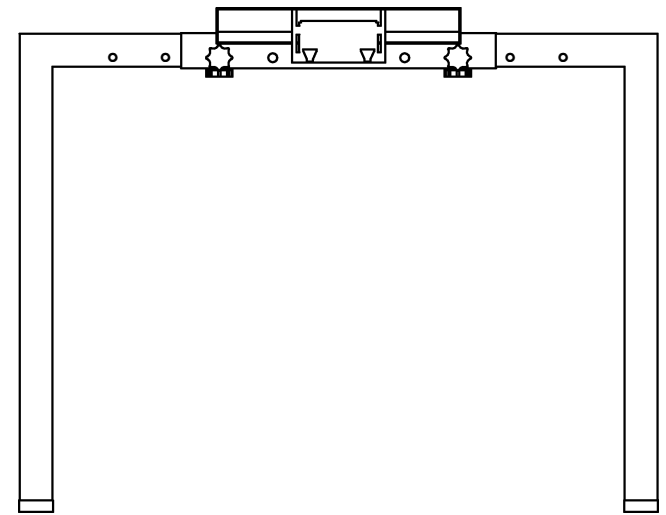
1. REMOVE ALL KNOBS AND ADJUST LEGS TO DESIRED POSITION WHICH WILL DEPEND ON WIDTH OF WORKSURFACES. RESECURE KNOBS.



24" WORKSURFACE



30" WORKSURFACE



36" WORKSURFACE

2. INSERT ADJUSTABLE TROUGH INTO LEGS AS SHOWN. (FIG. A)
MALLETT MIGHT BE REQUIRED TO SEAT TROUGH INTO LEGS.
3. ATTACH RETAINING PLATE USING HARDWARE PROVIDED.
SEE FIG. B.
4. PLACE WORKSURFACES UPSIDE DOWN ON BLANKET.
PLACE COMPLETED LEG ASSEMBLY ONTO WORKSURFACE
AS SHOWN BELOW, SECURE USING HARDWARE PROVIDED.

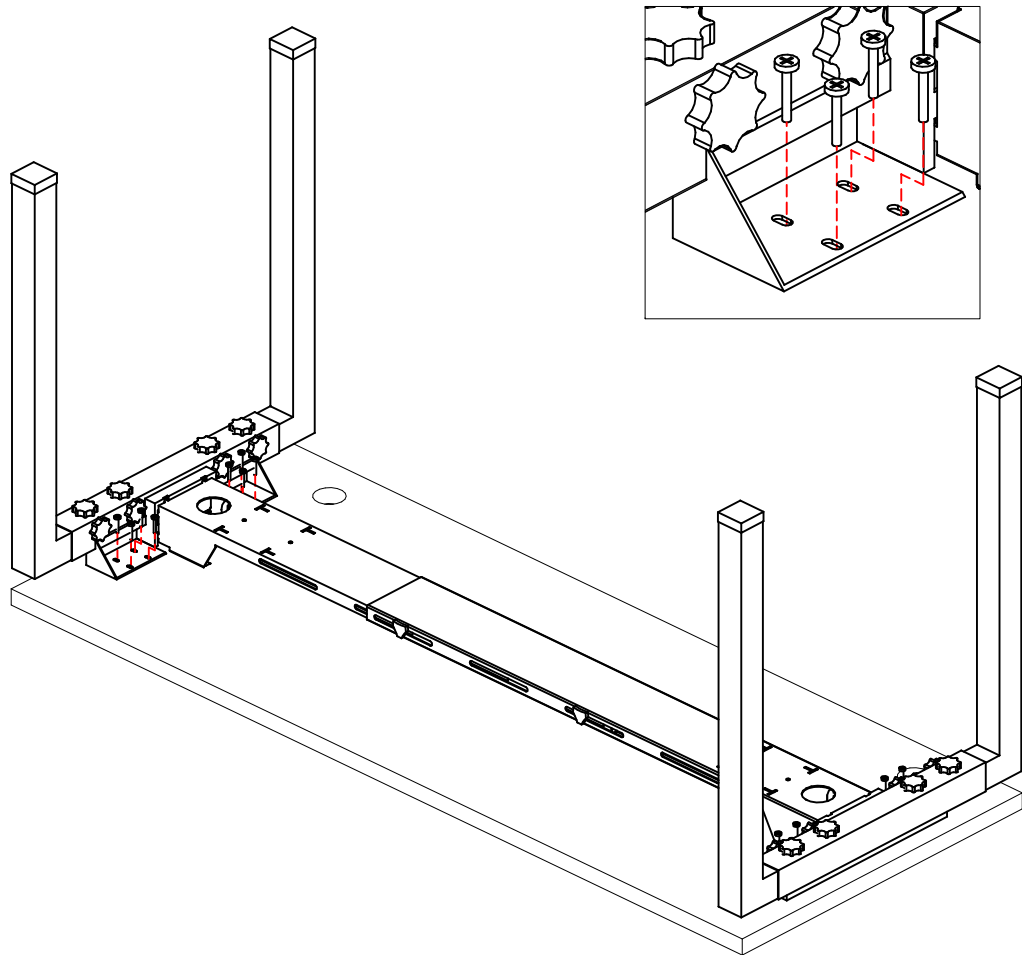


FIG. A

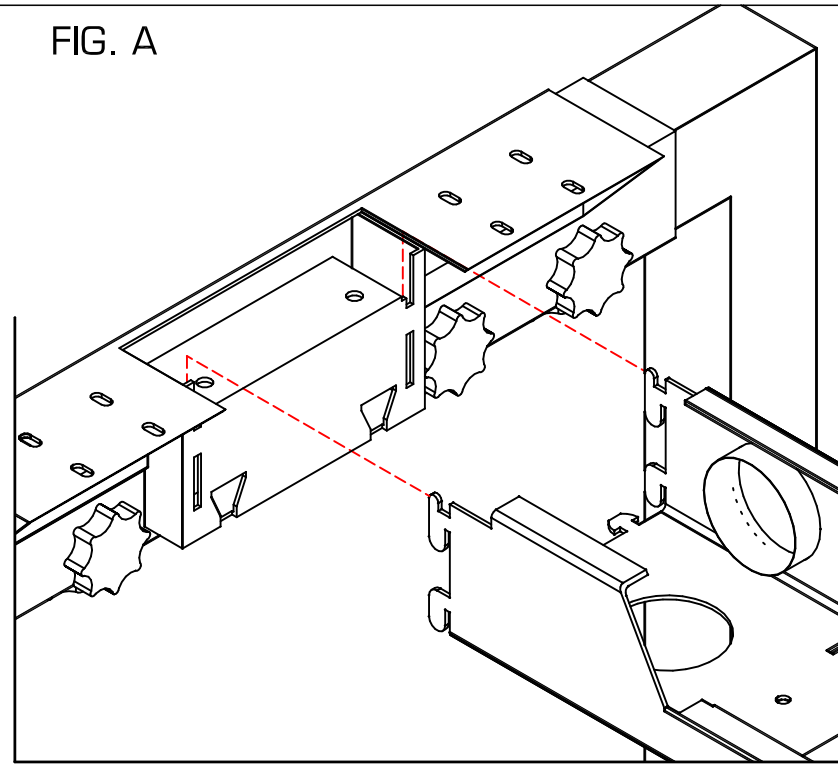


FIG. B

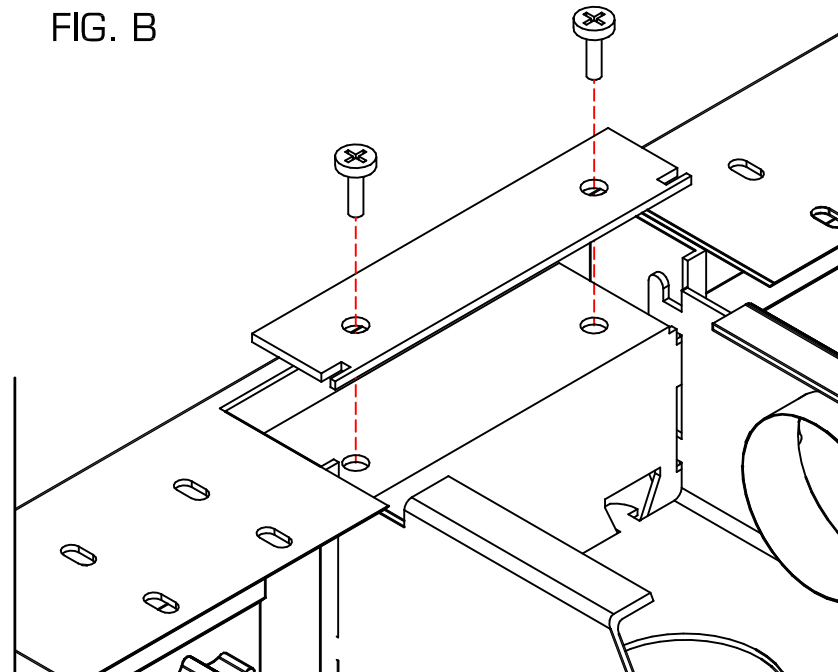
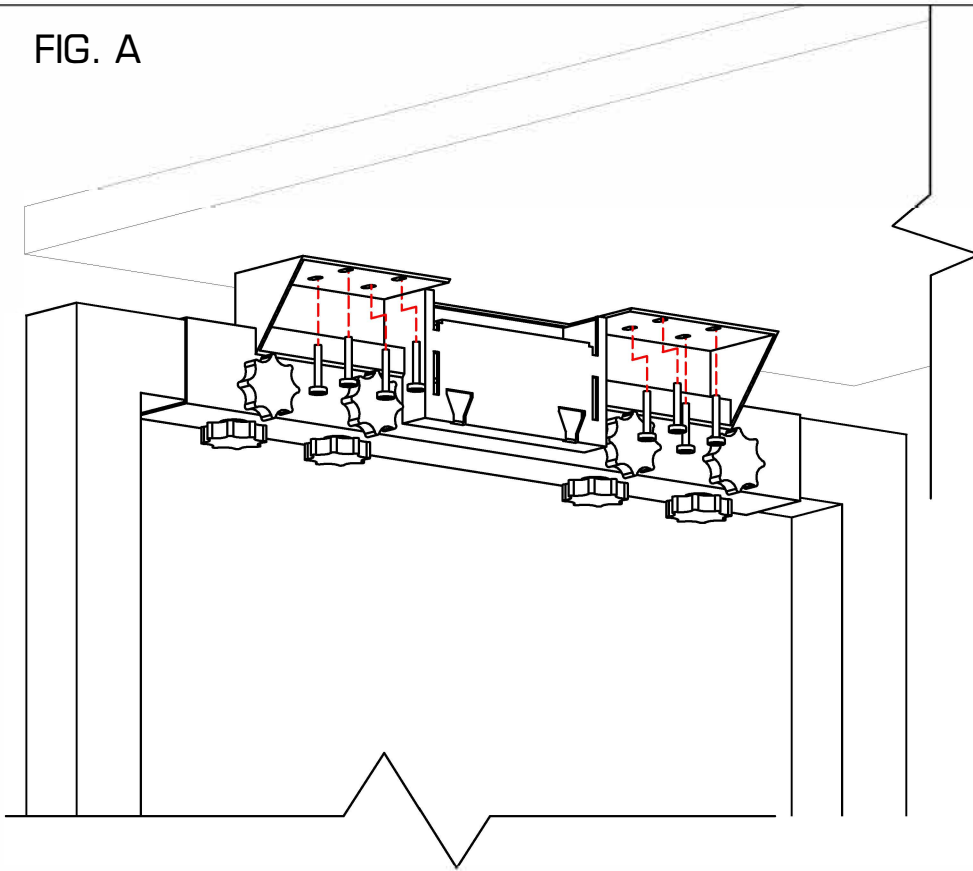


FIG. A



4" GAP

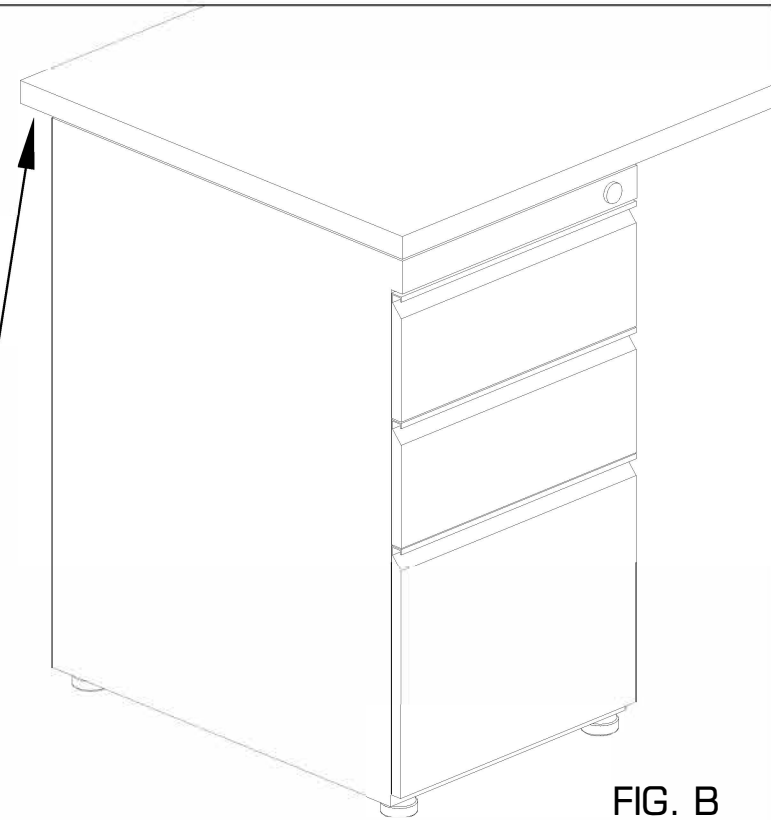


FIG. B

5. IF USING LEG ON RETURN WORKSURFACE REFER TO FIG. A AND ATTACH USING HARDWARE PROVIDED. (REFER TO LAYOUT FOR HANDEDNESS)
6. IF USING PEDESTAL ON RETURN WORKSURFACE REFER TO FIG. B AND ATTACH USING HARDWARE PROVIDED. (REMOVE TOP TWO DRAWERS IN ORDER TO ATTACH TO WORKSURFACE) (REFER TO LAYOUT FOR HANDEDNESS)
7. ALIGN RETURN WORKSURFACE WITH MAIN DESK AND ATTACH USING FLAT BRACKETS AND HARDWARE PROVIDED.

