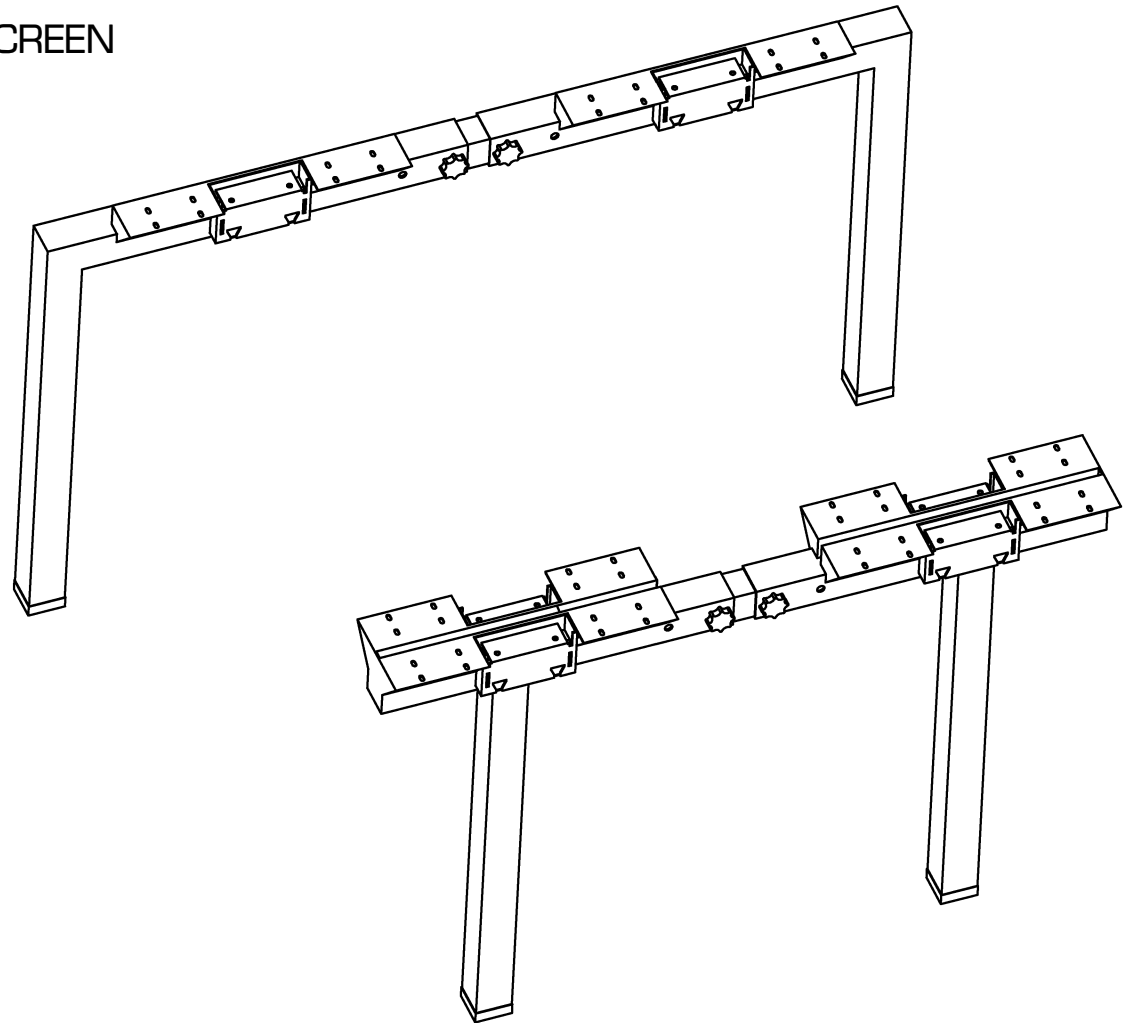
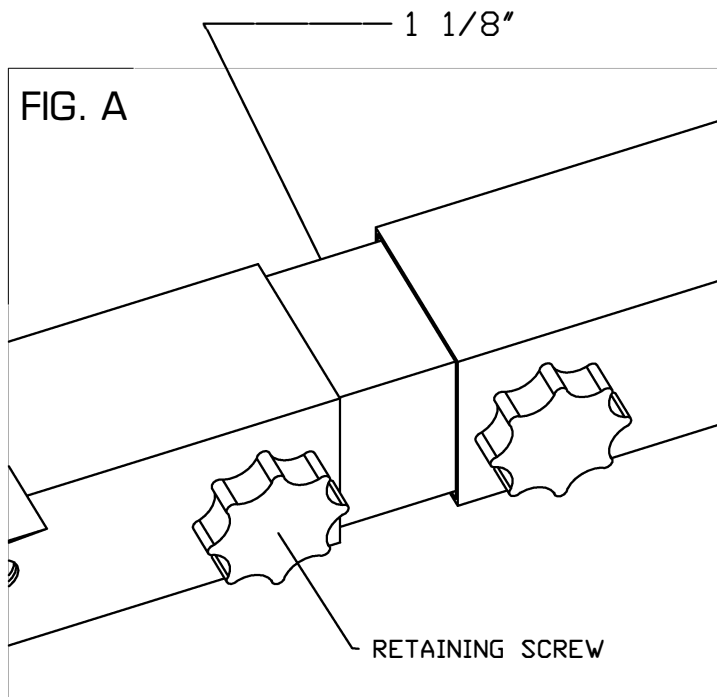


BENCH **it.** : 57-B; -POD

1. ON ALL END LEGS AND SHARED LEGS REMOVE ALL RETAINING SCREWS.
2. IF LAYOUT CALLS FOR CENTER DIVIDER SCREEN EXPAND LEGS AND REUSE 2 RETAINING SCREWS. AS SHOWN. SEE FIG. A.
3. IF LAYOUT CALLS FOR NO CENTER DIVIDER SCREEN THERE WILL BE NO GAP BUT REUSE 2 RETAINING SCREWS.



4. INSERT ADJUSTABLE TROUGH INTO LEGS AS SHOWN. (FIG. A)
MALLETT MIGHT BE REQUIRED TO SEAT TROUGH INTO LEGS.
5. ATTACH RETAINING PLATE USING HARDWARE PROVIDED.
SEE FIG. B.
6. COMPLETED FRAME ASSEMBLY SHOWN BELOW.
(SHOWN AS A 4 POD)

FIG. A

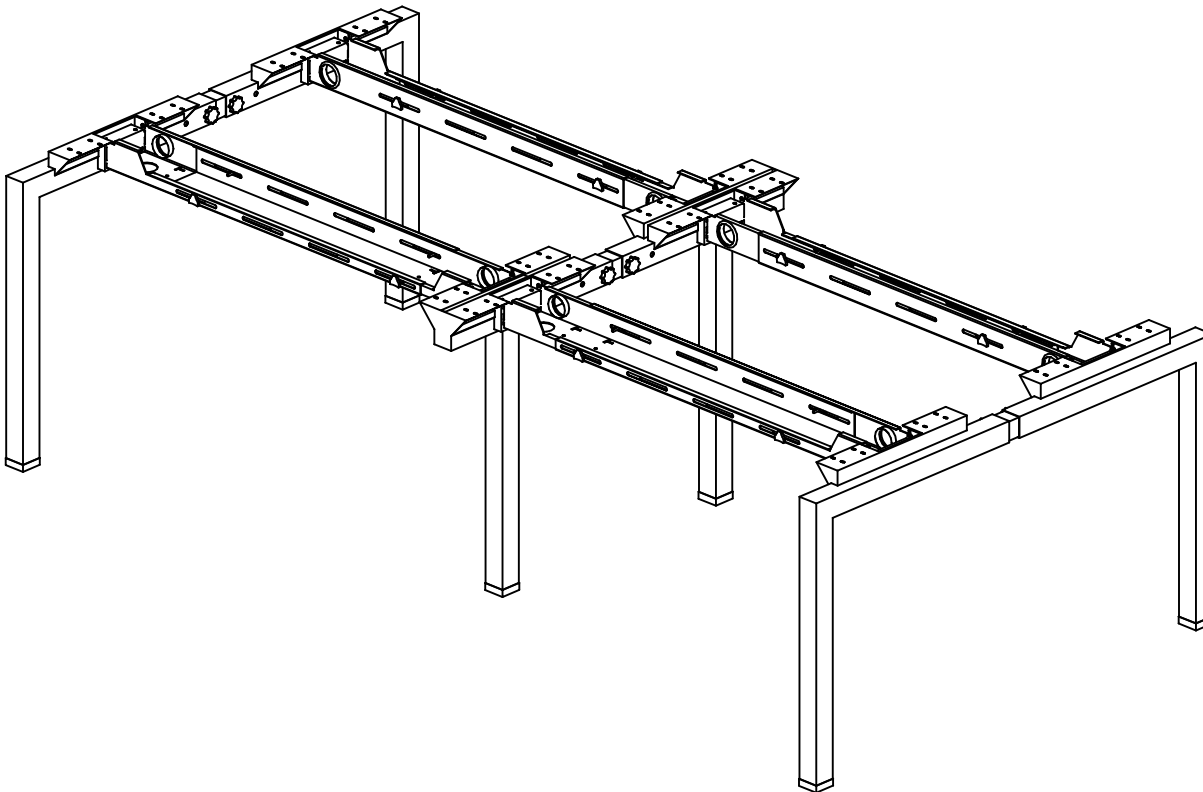
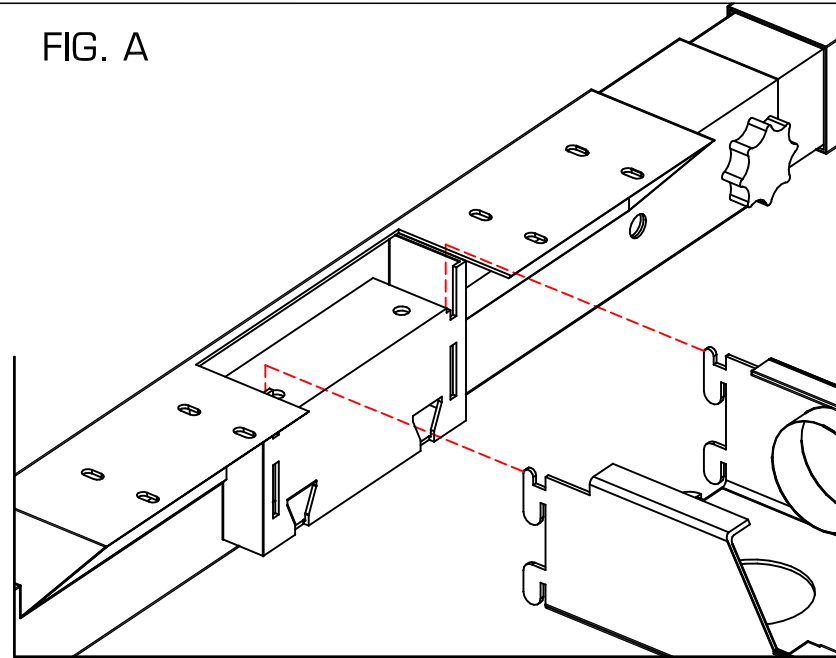
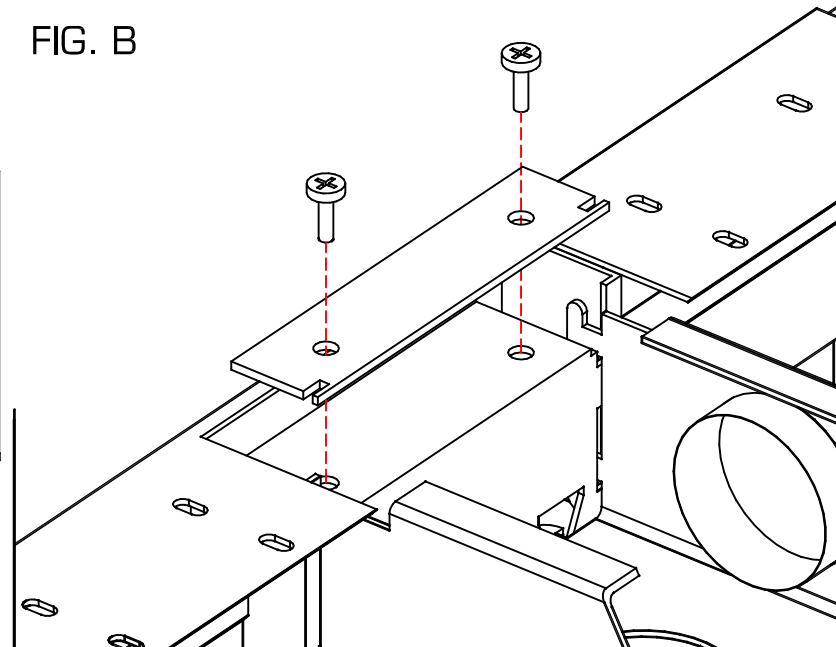
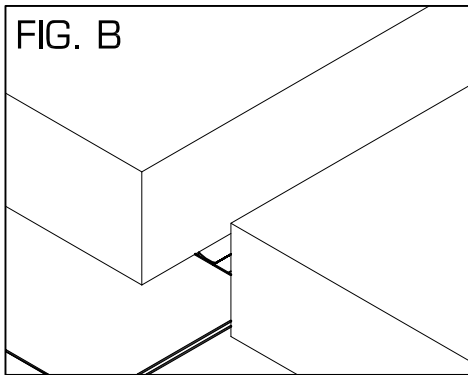
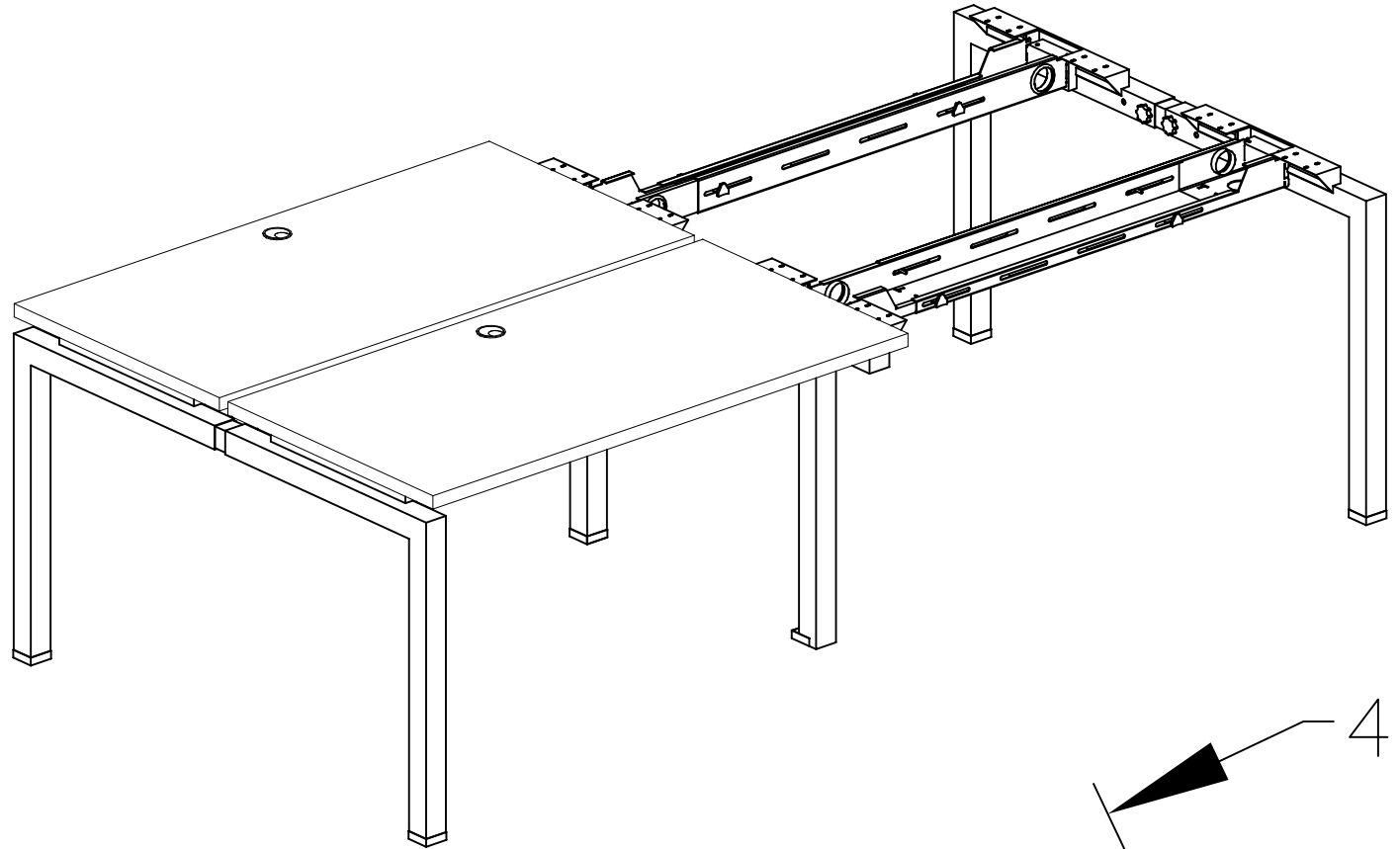
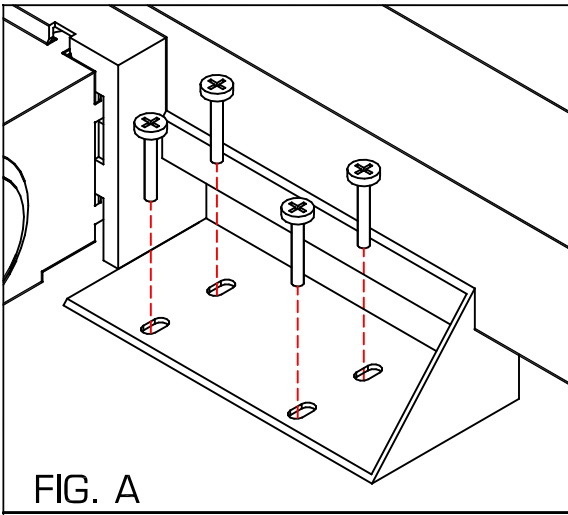


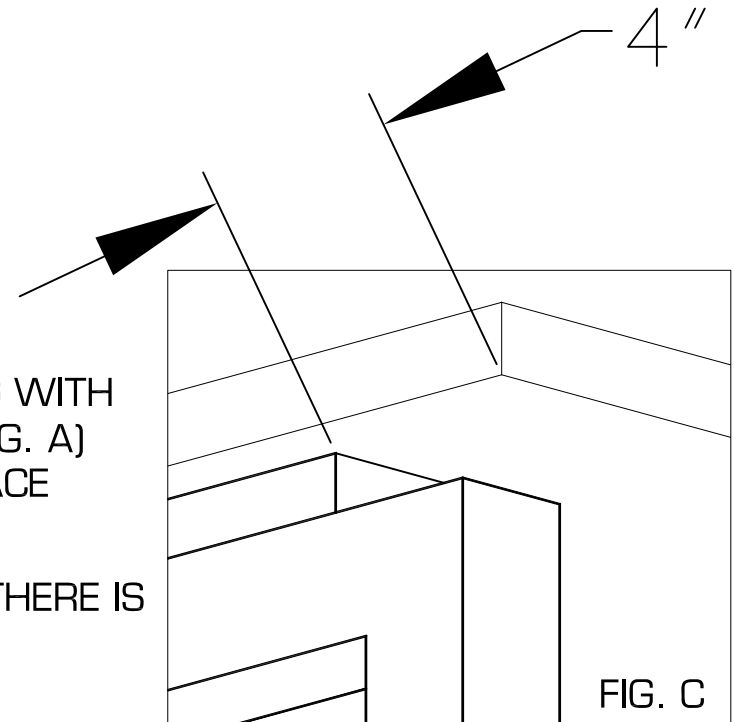
FIG. B



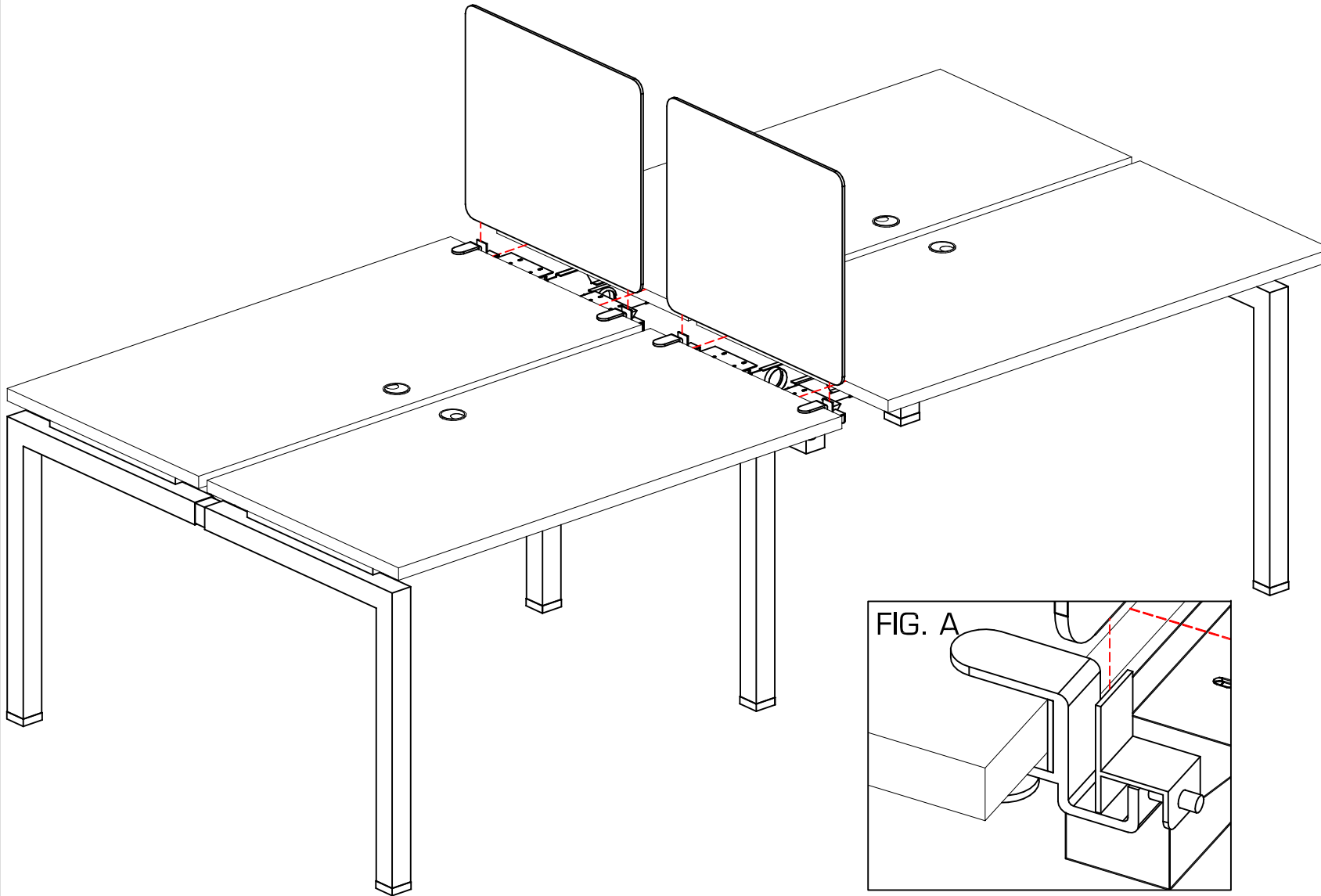


7. (CRITICAL STEP) PLACE FIRST WORKSURFACE ON FRAME AND ALING WITH FRONT AND SIDE OF LEG, SECURE WITH PROVIDED HARDWARE. (FIG. A) MEASURE 4" FROM FRONT OF BRACKET TO FRONT OF WORKSURFACE REFER TO FIG. C

8. REPEAT PROCESS FOR NEXT WORKSURFACE MAKING SURE THAT THERE IS A 1" GAP BETWEEN WORKSURFACES. (FIG. B)
(IF NO DIVIDER SCREEN IS NEEDED THAN THERE WILL BE NO GAP)



THIS PAGE IS ONLY REQUIRED IF SIDE SCREENS WERE ORDERED.



9. INSTALL SIDE SCREEN BRACKETS AS SHOWN, SECURE BY TIGHTENING LARGE KNOB UNDERNEATH. (FIG. A)
10. ONCE BRACKETS ARE SECURED CAREFULLY INSERT GLASS OR ACRYLIC SCREENS INTO BRACKETS AND SECURE.

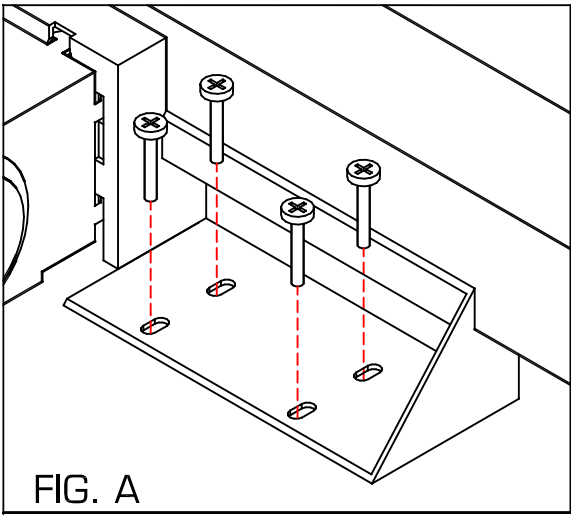
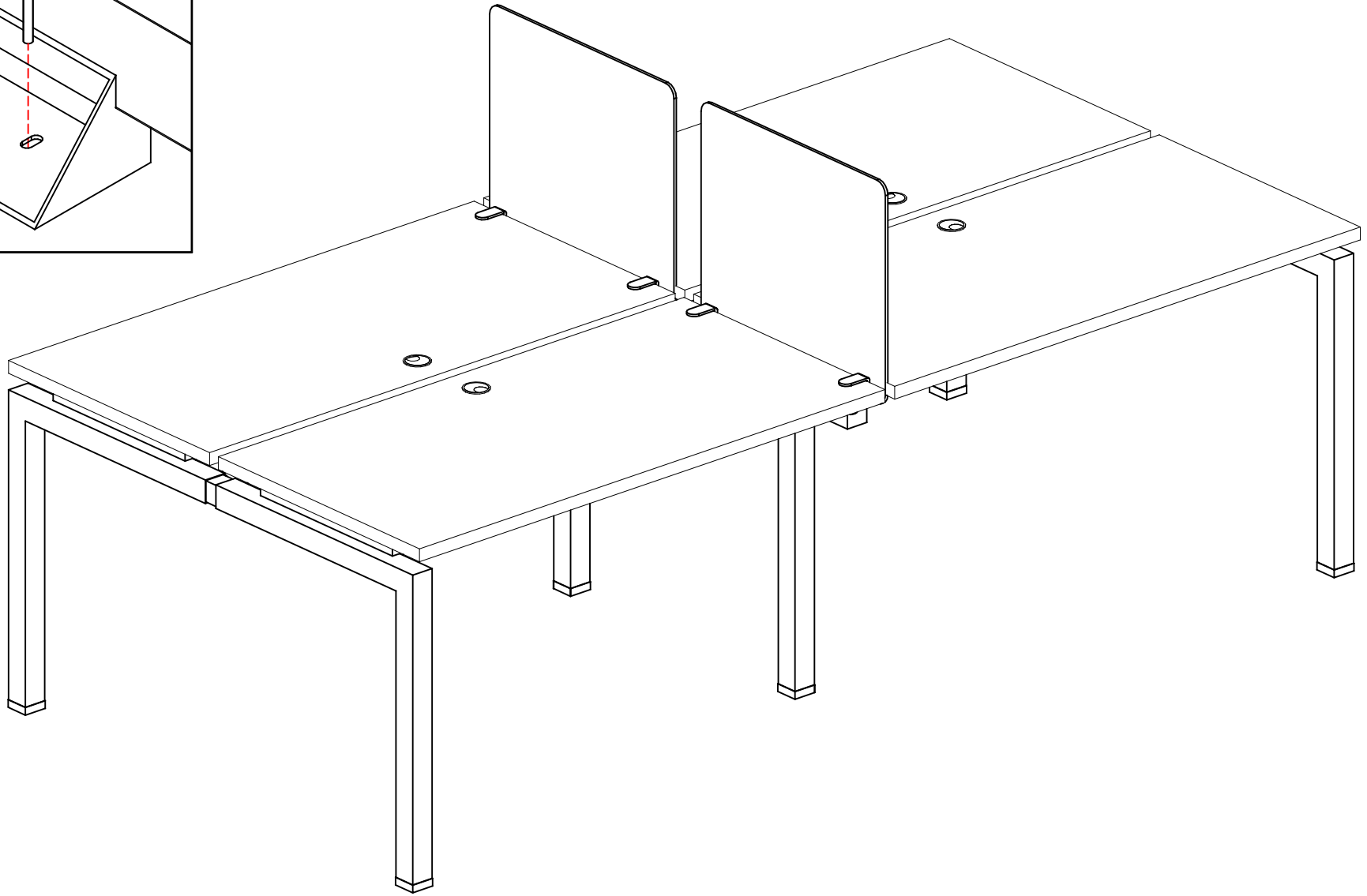
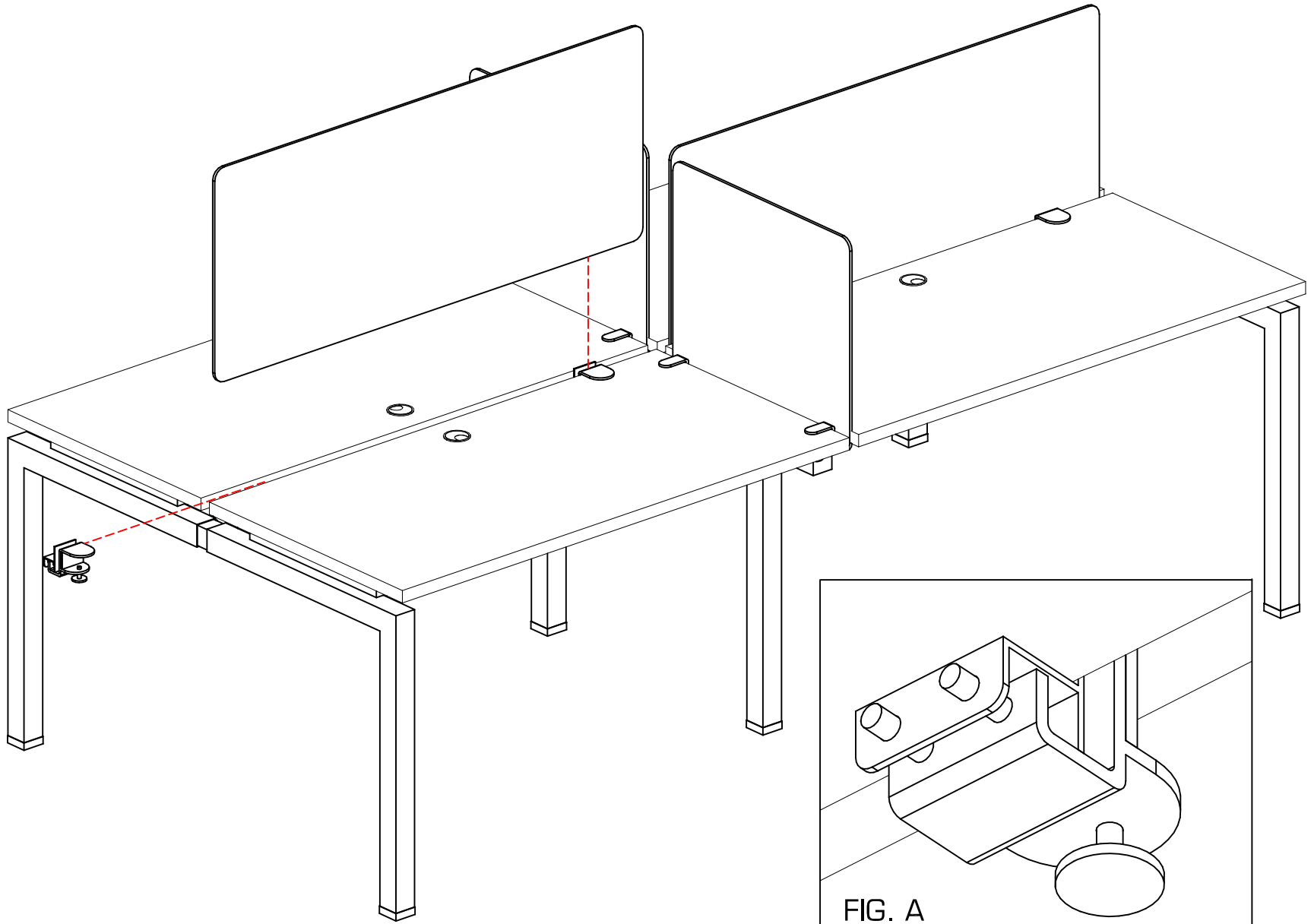


FIG. A

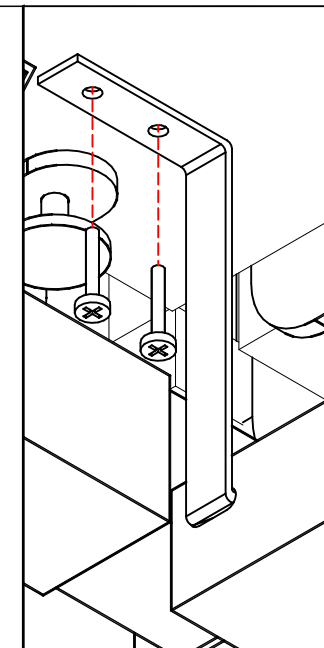
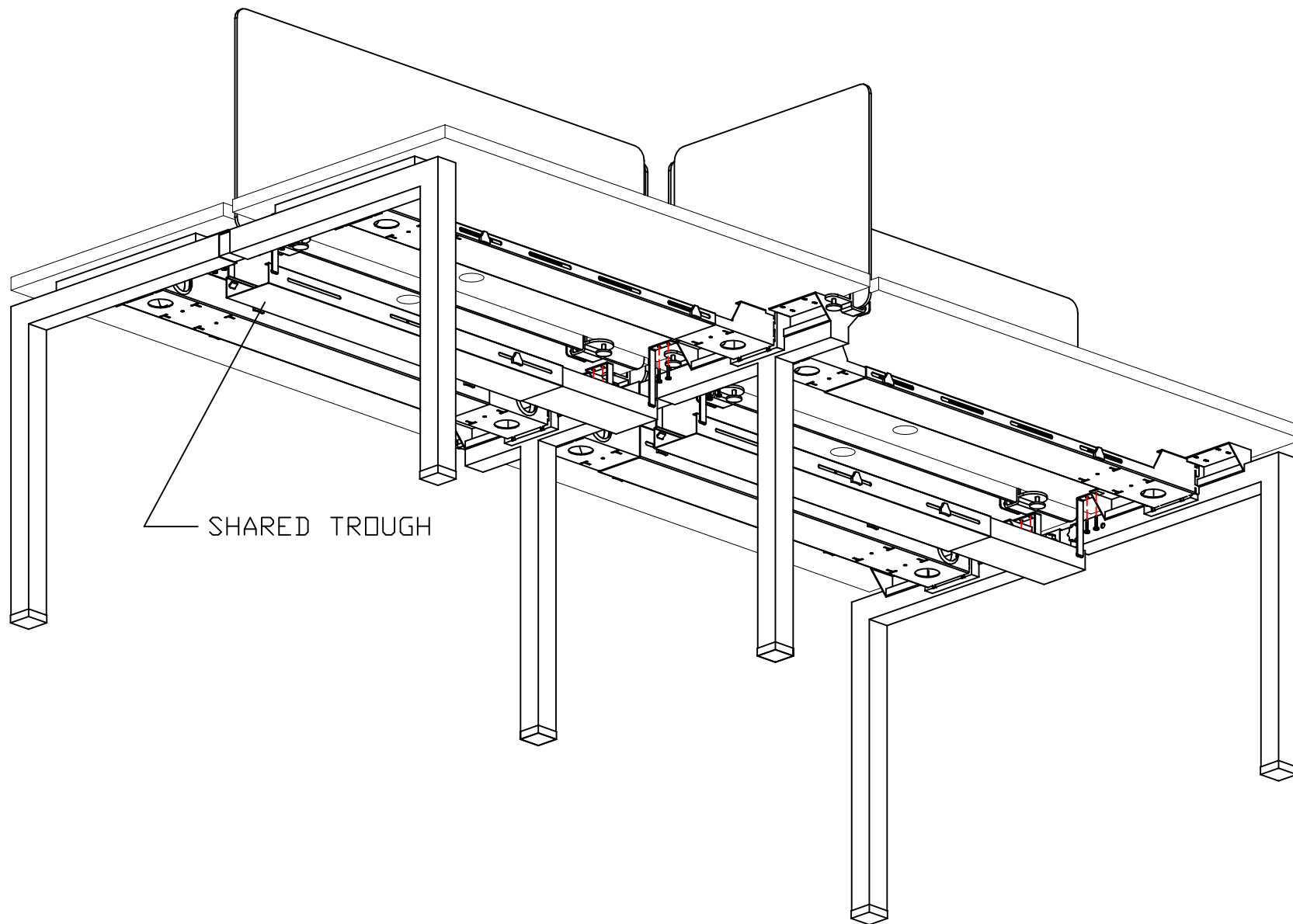


11. ATTACH REMAINING WORKSURFACES WITH PROVIDED HARDWARE. (FIG. A)



12. REMOVE LARGE KNOB FROM CLIP60 BRACKET AND SLIDE BETWEEN WORKSURFACES, REPLACE KNOB AND SECURE.

13. INSERT GLASS OR ACYLIC SCREEN INTO BRACKETS AS SHOWN AND SECURE USING ALLEN WRENCH HARDWARE ON BRACKET. (FIG. A)



14. ATTACH SHARED TROUGH BRACKETS TO UNDERSIDE OF WORKSURFACES AS SHOWN USING HARDWARE PROVIDED. (FIG. A)
15. USING CUTOUTS ON SIDE OF TROUGH, ATTACH TO BRACKETS.