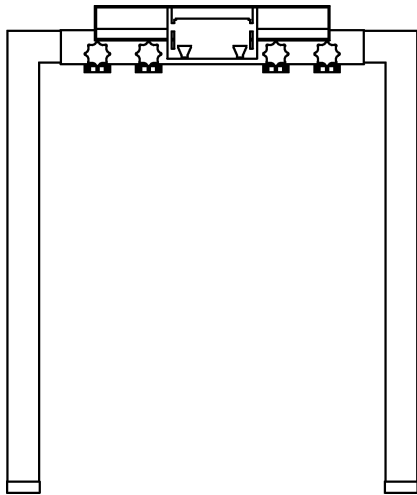
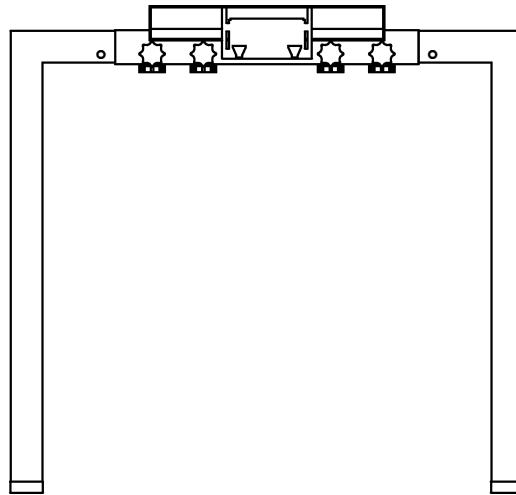


BENCH **it.** SIDE BY SIDE BENCHING

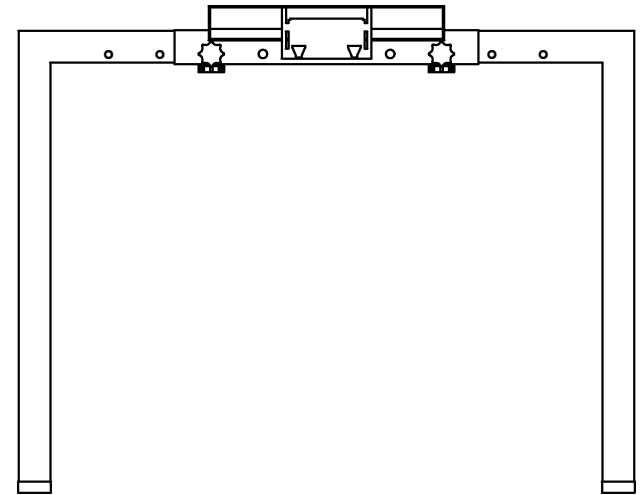
1. REMOVE ALL KNOBS AND ADJUST LEGS TO DESIRED POSITION WHICH WILL DEPEND ON WIDTH OF WORKSURFACES. RESECURE KNOBS.



24" WORKSURFACE



30" WORKSURFACE



36" WORKSURFACE

2. INSERT ADJUSTABLE TROUGH INTO LEGS AS SHOWN. (FIG. A)
MALLET MIGHT BE REQUIRED TO SEAT TROUGH INTO LEGS.
3. ATTACH RETAINING PLATE USING HARDWARE PROVIDED. SEE FIG. B.

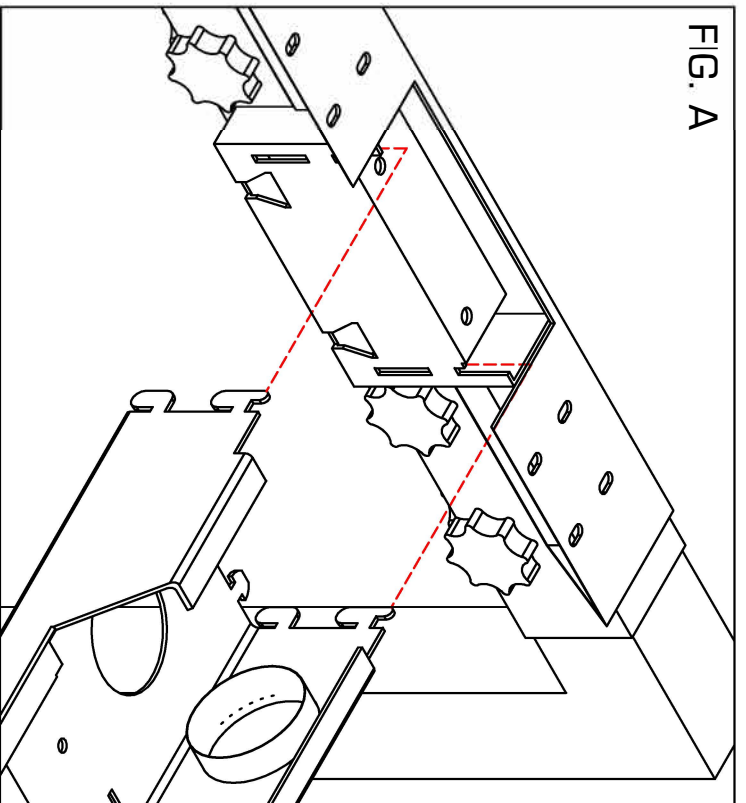
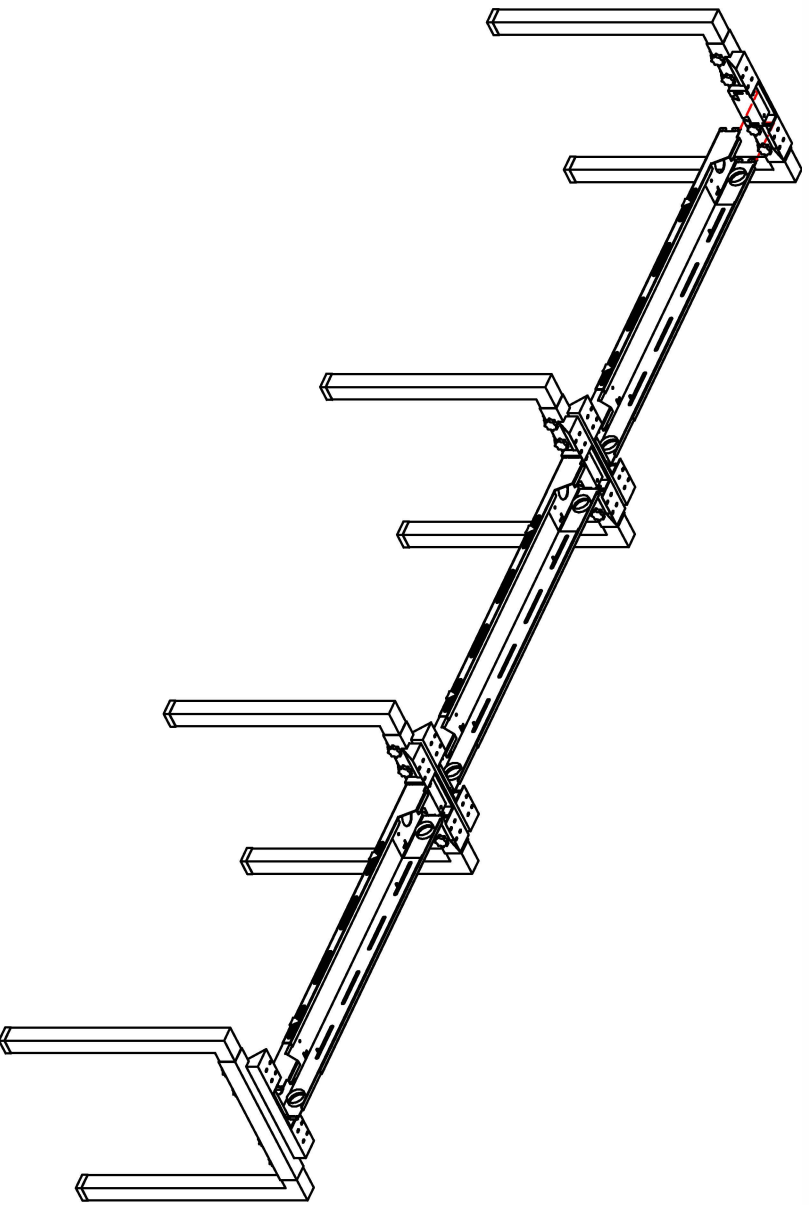


FIG. A

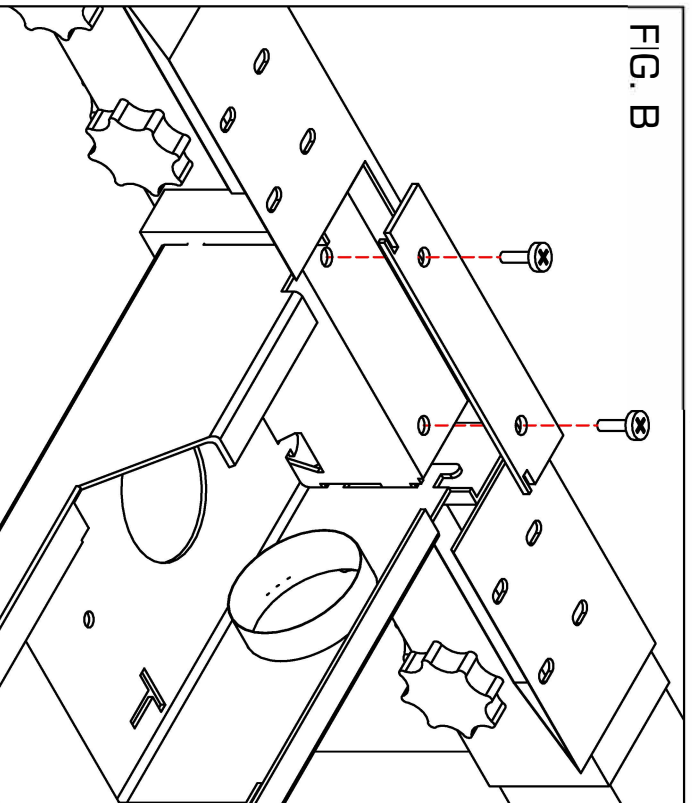


FIG. B

4. ATTACH WORKSURFACES TO COMPLETED FRAME ASSEMBLY AS SHOWN IN FIG. A. USE PROVIDED HARDWARE (FIG. B).

NOTE: IF SIDE SCREENS ARE ORDERED LEAVE 1" GAP BETWEEN WORKSURFACES.

FIG. A

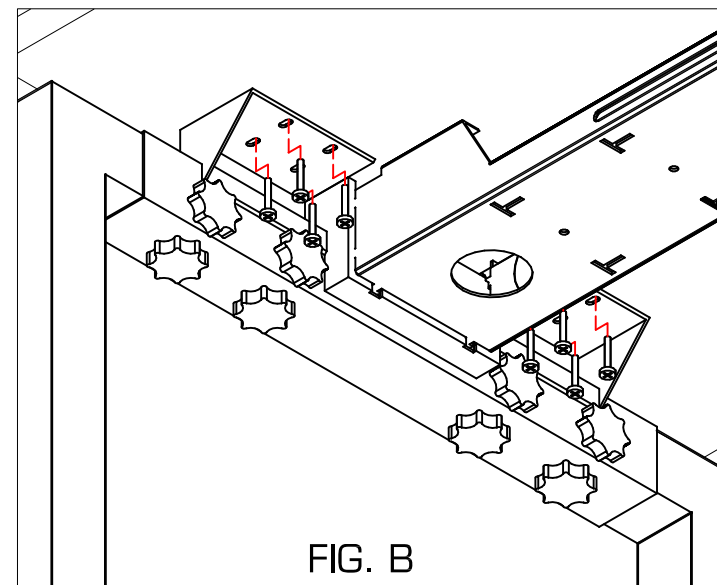
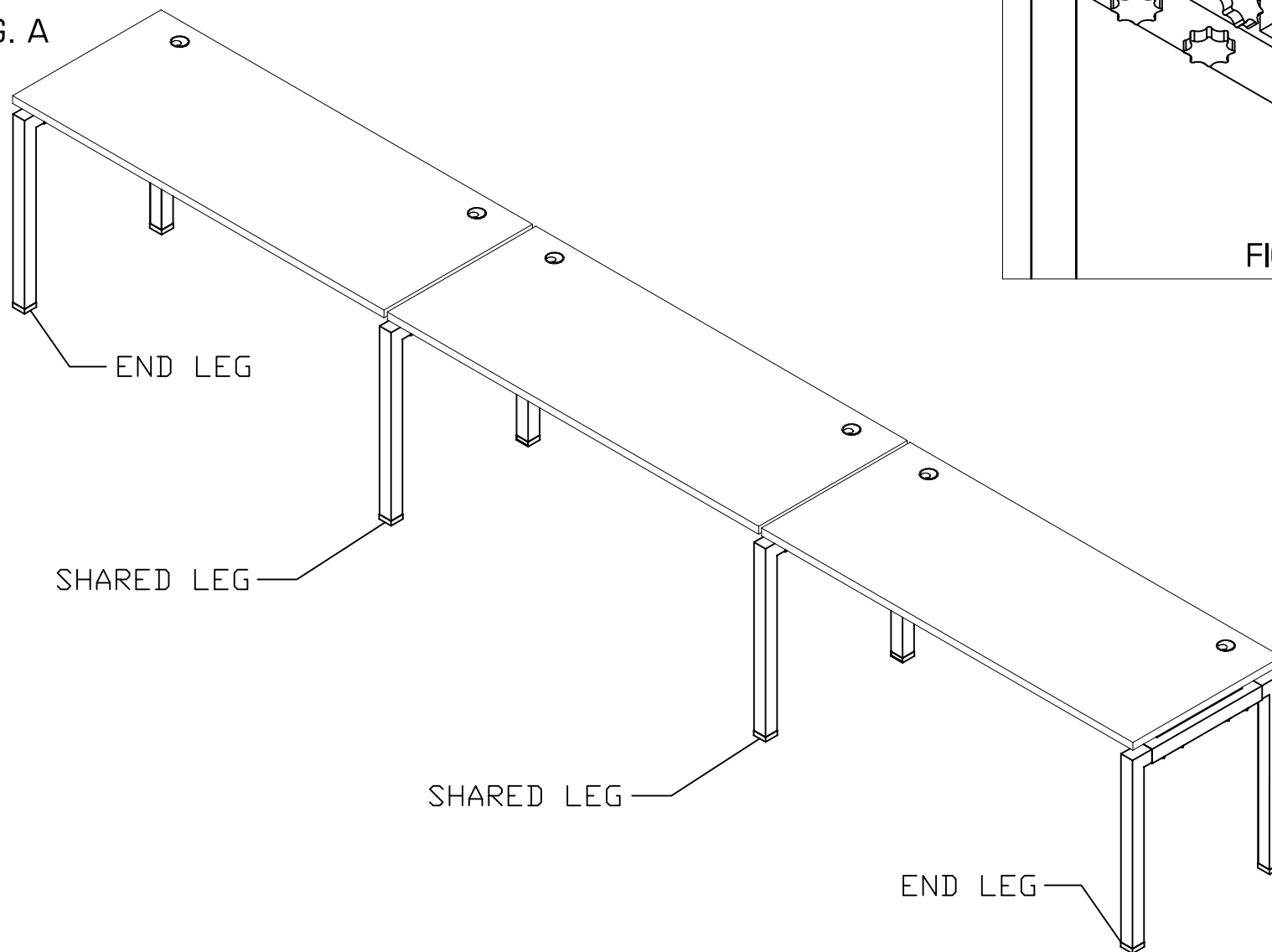


FIG. B

5. SLIDE CLIP30 BRACKETS BETWEEN 2 WORKSURFACES AS SHOWN IN FIG. A AND FIG. B. SECURE USING LARGE KNOB.

6. SLIDE SCREEN INTO BRACKETS AS SHOWN IN FIG. A. USE ALLEN WRENCH TO SECURE SCREEN INTO BRACKETS.

FIG. A

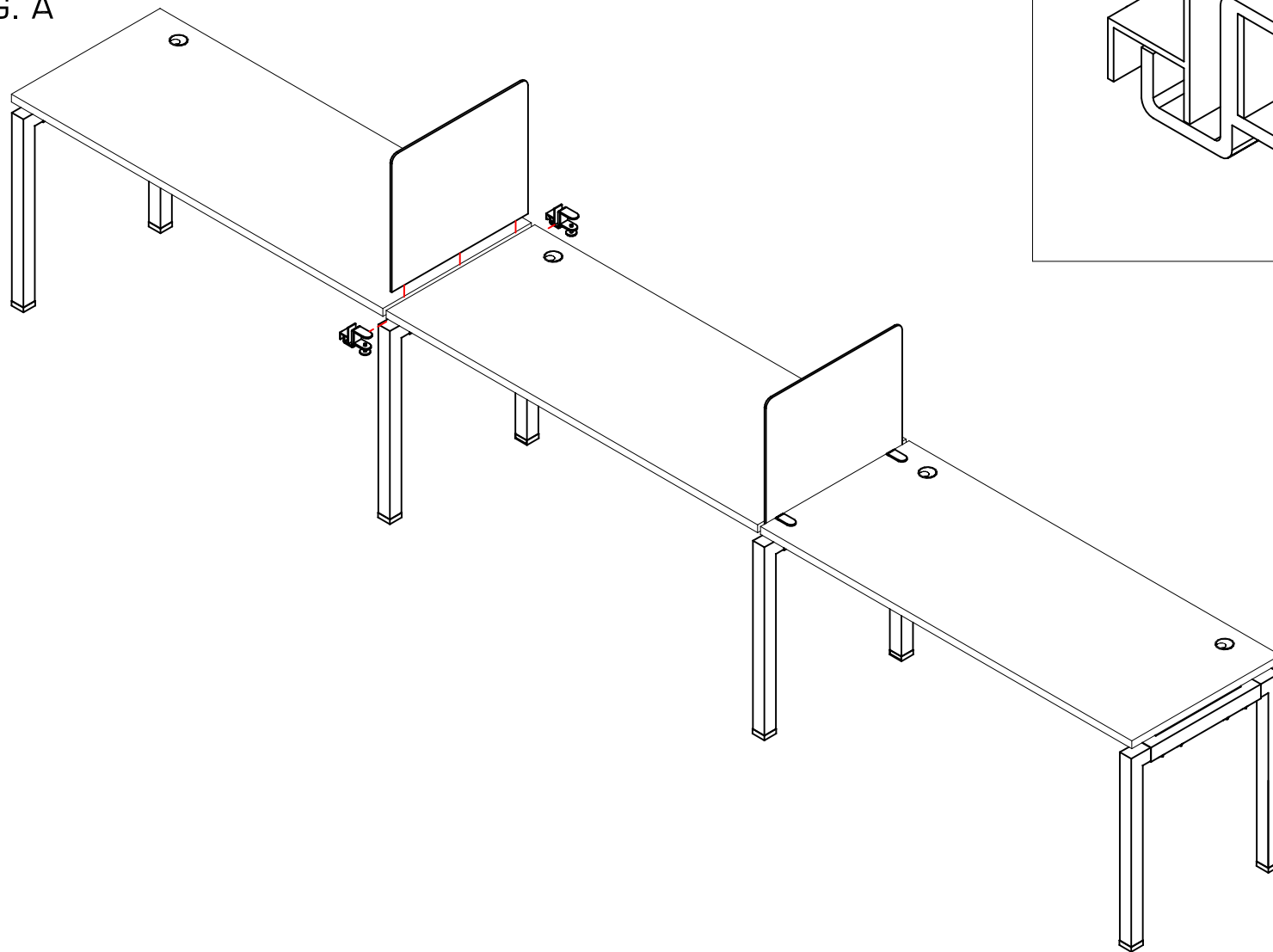


FIG. B

