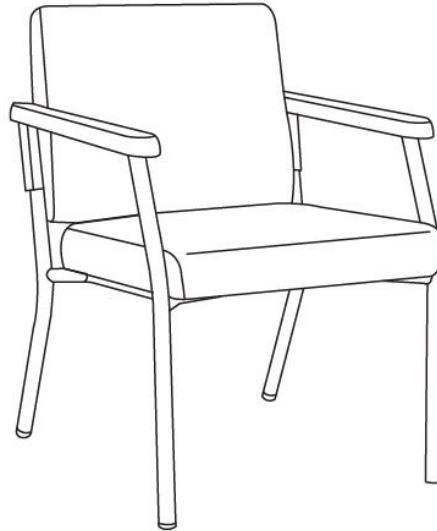




**OFD-HC2600-BLK/GRY/BLUE
ANTIMICROBIAL HEALTHCARE GUEST CHAIR
400LB WEIGHT RATED**



Limited Lifetime Warranty Information

All Office Furniture Distributors chairs are built to meet or exceed ANSI and BIFMA standards. These products are warranted from the original purchase date and to the original purchaser for normal commercial usage, defined by a standard forty- hour work week. The warranty does not cover cosmetic damage that may result from normal use.

Upholstered Seating:

- Lifetime on all non-moving components
- 5 years on mechanisms, arms, cylinder and casters
- 3 years on foam
- 3 years on upholstery

Motion Seating:

- Lifetime on all non-moving components
- 3 years on mechanisms and cylinders
- 3 years on foam
- 3 years on upholstery

Wood Seating:

- 5 years on structural integrity of frame
- 3 years on seating wood finishes against wear and deterioration
- 3 years on upholstery
- Leather is not warranted against routine scratching and scuffing, as leather is subject to minor blemishes in use. Minor variations in color, texture and grain are a natural part of leather hides, and therefore, are not covered by this warranty

These warranties give you specific legal rights, and you may also have other rights which vary from state to state. This warranty does not apply to products used for rental purpose.

Office Furniture Distributors

2901 Trade Center Dr. Suite 100 Carrollton, TX 75007

Customer Service: 866-648-3635

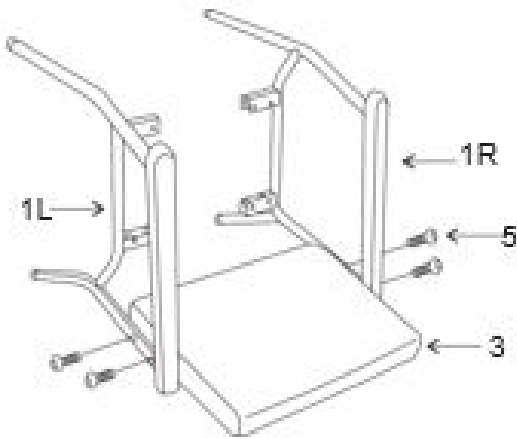
www.ofdist.com



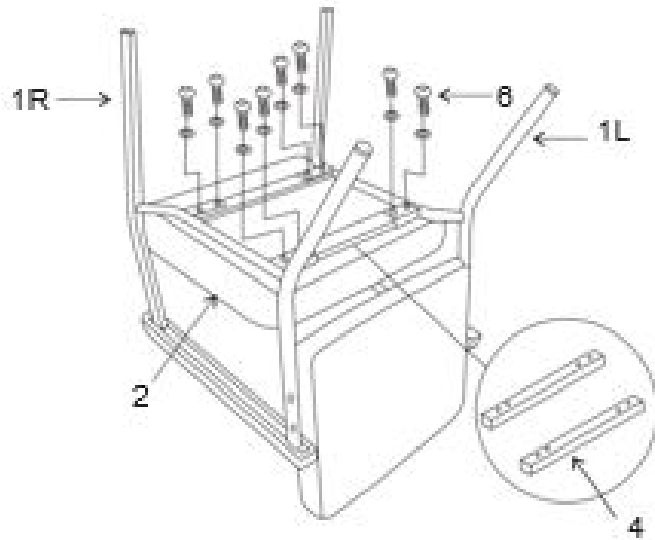
OFD-HC2600-BLK/GRY/BLUE

ANTIMICROBIAL HEALTHCARE GUEST CHAIR 400LB WEIGHT RATED ASSEMBLY INSTRUCTIONS

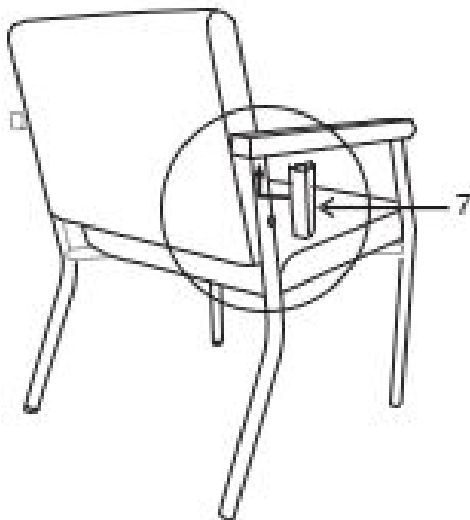
STEP 1



STEP 2



STEP 3



PARTS:	QTY
1. Arm Frame (1L & 1R).....	2
2. Seat Cushion.....	1
3. Back Cushion.....	1
4. Support Bar.....	2
5. Short Screw.....	4
6. Long Screw w/Washer.....	8
7. Armrest Cover.....	2
8. Allen Wrench(not shown).....	1

Remove all parts from carton, separate by part numbers indicated on parts list, and verify part quantities.

STEP 1: Secure Arm Frames (1L & 1R) to Back Cushion (3) using two Short Screws (5) for each Arm Frame (1). **DO NOT FULLY TIGHTEN SCREWS.**

STEP 2: Attach Support Bars (4) between Arm Frames (1L & 1R) Secure Seat Cushion (2) to Support Bars (4) using Four Long Screws with Washers (6) for each Support Bar (4). **DO NOT FULLY TIGHTEN SCREWS.**

STEP 3: Carefully turn chair to the upright position. **APPLY FIRM PRESSURE TO ALIGN & FULLY TIGHTEN ALL SCREWS USING ALLEN WRENCH (8),** Cover holes in Side Arm Frames (1L & 1R) using Armrest Covers (7).

ATTENTION: MAKE SURE ALL SCREWS ARE FULLY TIGHTENED BEFORE USING CHAIR.