

OFD-CI2ELBASE-A- 2 Stage, Dual Motor Electric Height Adjustable Base



(-BS) Brushed Silver



3 Memory Controller
with 2 USB Ports

(Optional Casters)



Paint



Brushed Silver

White

Black

Smart L-type Products
Automatic Lifting

Noise Level
45db

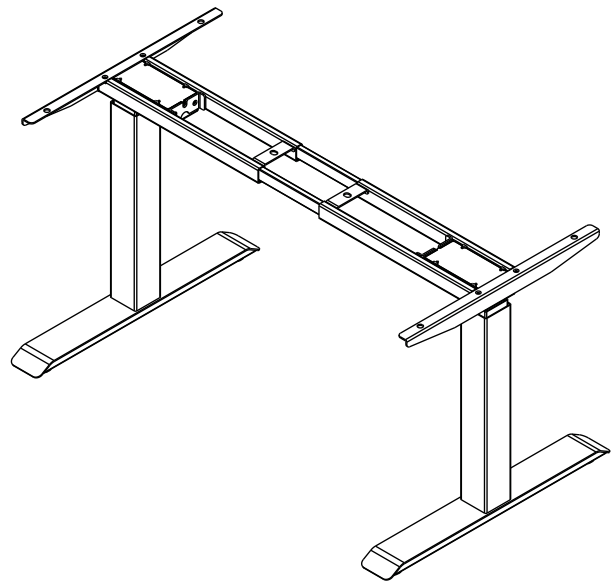
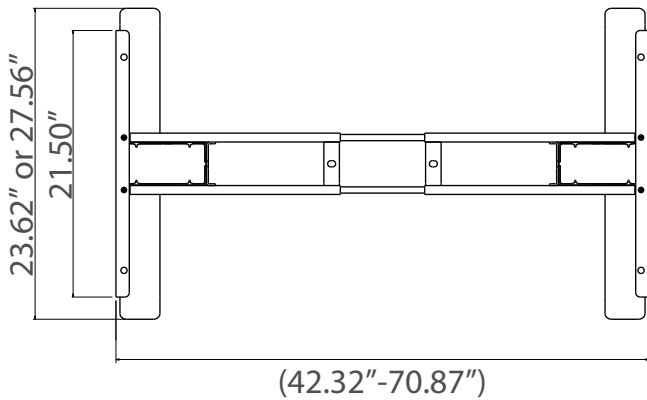
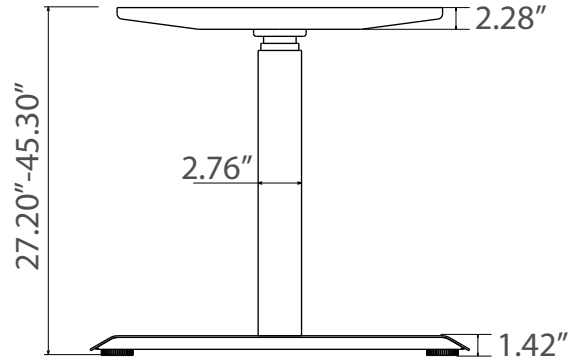
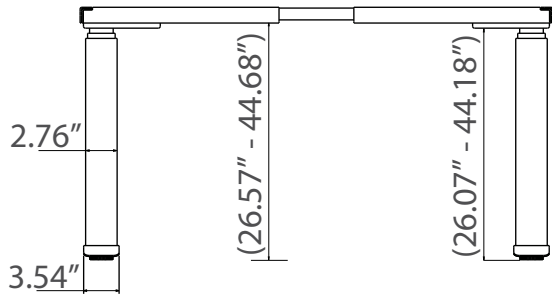
Warranty Period
7 years



RoHS

OFD-CI2ELBASE-A-

2 Stage, Dual Motor Electric Height Adjustable Base



TYPE	DATA
Leg Shape	Square
Frame Height Adjustable Range	27.20" - 45.30" (Top adds 1.1")
Frame Adjustable Range	W(42.32-70.87")*D(21.5")
Foot Length Size (2 Options)	23.62" or 27.56"
Speed	1.6" /second
Maximum Lifting Capacity	264 lbs
Input	100-240V

OFD-C13ELBASE-A- 3 Stage, Dual Motor Electric Height Adjustable Base



(-BS) Brushed Silver



3 Memory Controller
with 2 USB Ports

(Optional Casters)



Paint



Brushed Silver

White

Black

Smart L-type Products
Automatic Lifting

Noise Level
45db

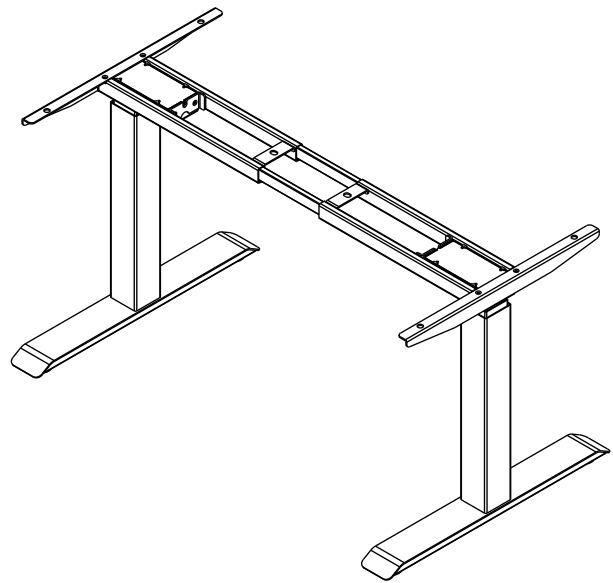
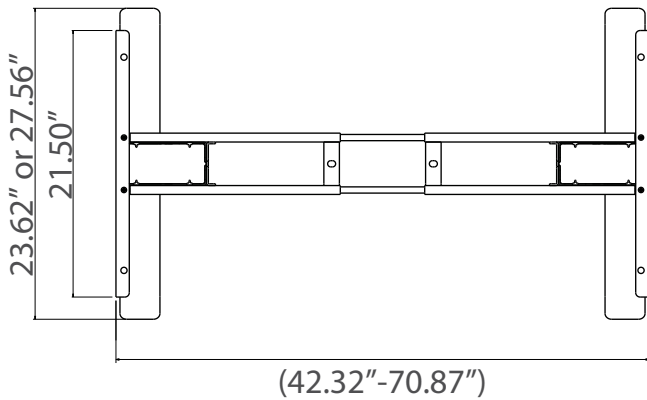
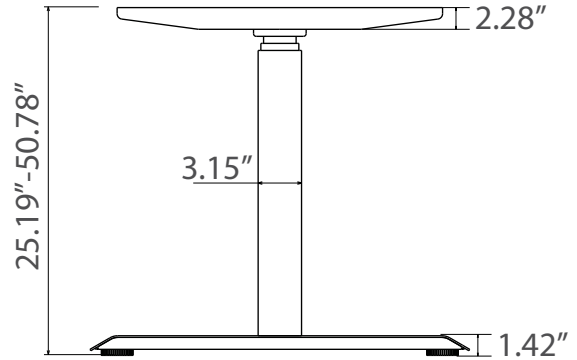
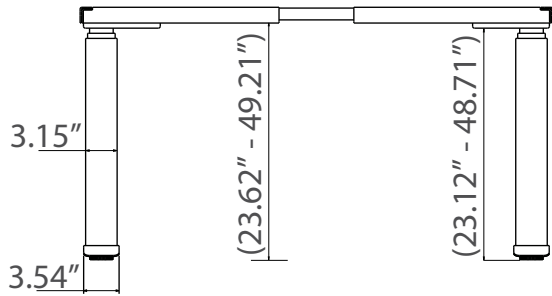
Warranty Period
7 years



RoHS

OFD-CI3ELBASE-A-

3 Stage, Dual Motor Electric Height Adjustable Base



TYPE	DATA
Leg Shape	Square
Frame Height Adjustable Range	25.19" - 50.78" (Top adds 1.1")
Frame Adjustable Range	W(42.32-70.87")*D(21.5")
Foot Length Size (2 Options)	23.62" or 27.56"
Speed	1.6" /second
Maximum Lifting Capacity	264 lbs
Input	100-240V

OFD-CI2ELBASE-90-

2 Stage 90° Electric Height Adjustable Base



7
YEAR
WARRANTY



(-BS) Brushed Silver



**3 Memory Controller
with 2 USB Ports**


Paint




Brushed Silver

White

Black

 Smart L-type Products
Automatic Lifting

 Noise Level
50db

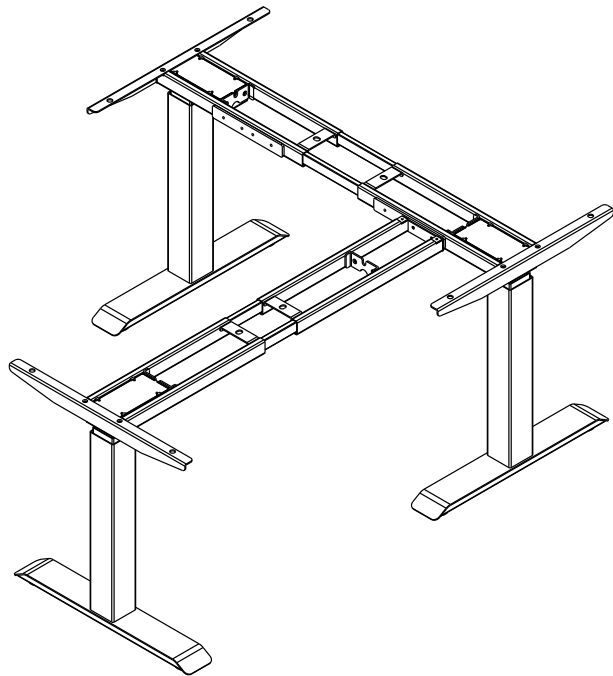
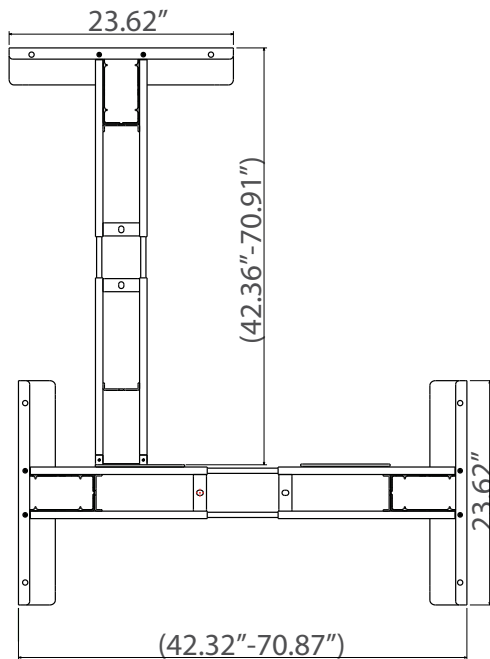
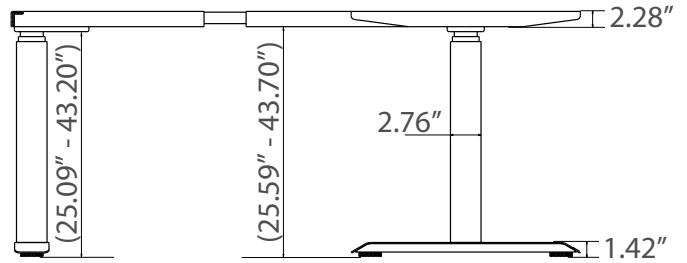
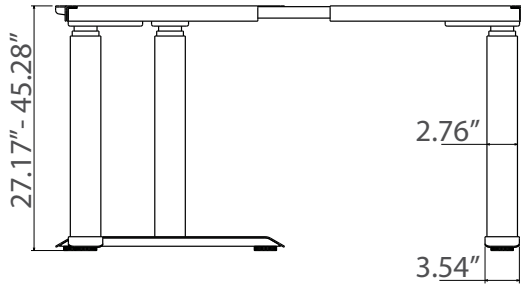
 Warranty Period
7 years



RoHS

OFD-CI2ELBASE-90-

2 Stage 90° Electric Height Adjustable Base



TYPE	DATA
Leg Shape	Square
Frame Height Adjustable Range	27.17" - 45.28" (Top adds 1.1")
Frame Adjustable Range	$W(42.36-70.91")+(42.32-70.87")*D(23.62")$
Foot Length Size	23.62"
Speed	1.26 " /second
Maximum Lifting Capacity	330 lbs
Input	100-240V

OFD-C13ELBASE-90-

3 Stage 90° Electric Height Adjustable Base



7
YEAR
WARRANTY



3 Memory Controller with 2 USB Ports Available Soon!

(-BS) Brushed Silver



4 Memory Controller

Paint



Brushed Silver

White

Black

Smart L-type Products
Automatic Lifting

Noise Level
45db

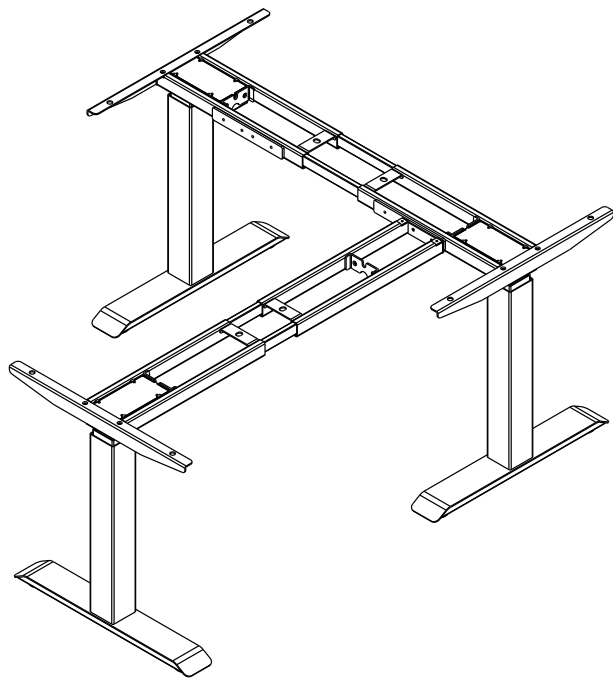
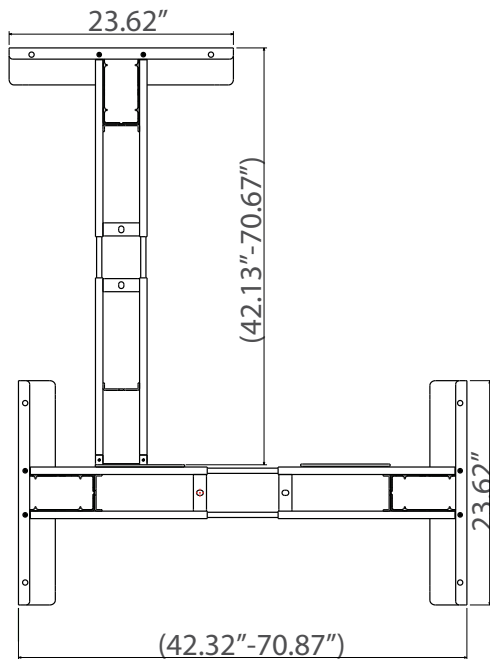
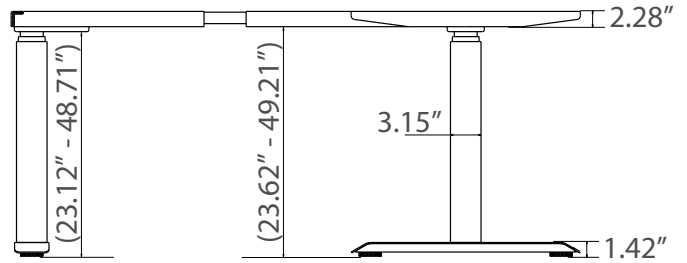
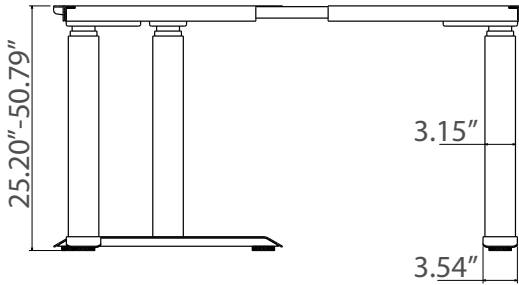
Warranty Period
7 years



RoHS

OFD-CI3ELBASE-90-

3 Stage 90° Electric Height Adjustable Base



TYPE	DATA
Leg Shape	Square
Frame Height Adjustable Range	25.20" - 50.79" (Top adds 1.1")
Frame Adjustable Range	$W(42.13-70.67")+(42.32-70.87")*D(23.62")$
Foot Length Size	23.62"
Speed	1.6" /second
Maximum Lifting Capacity	330 lbs
Input	100-240V

OFD-CI2ELBASE-120-

2 Stage 120° Electric Height Adjustable Base



(-BS) Brushed Silver

Smart L-type Products



3 Memory Controller
with 2 USB Ports

Paint



Brushed Silver

White

Black

Smart L-type Products
Automatic Lifting

Noise Level
50db

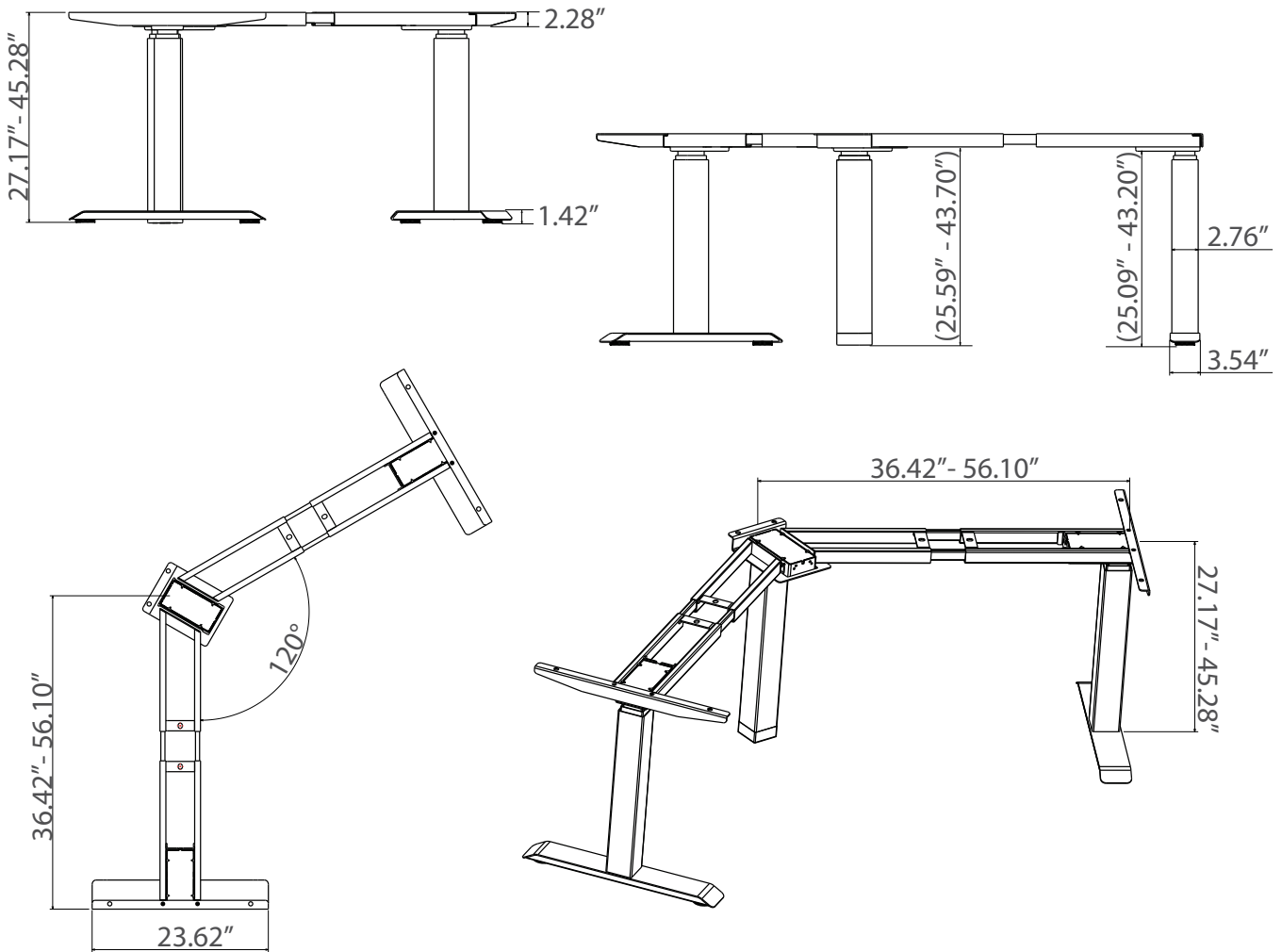
Warranty Period
7 years



RoHS

OFD-CI2 ELBASE-120-

2 Stage 120° Electric Height Adjustable Base



TYPE	DATA
Leg Shape	Square
Frame Height Adjustable Range	27.17" - 45.28" (Top adds 1.1")
Frame Adjustable Range	$W(36.42-56.10")+(36.42-56.10")*D(23.62")$
Foot Length Size	23.62"
Speed	1.26" /second
Maximum Lifting Capacity	330 lbs
Input	100-240V

OFD-C13ELBASE-120-

3 Stage 120° Electric Height Adjustable Base



(-BS) Brushed Silver



3 Memory Controller
with 2 USB Ports

Paint



Brushed Silver

White

Black

Smart L-type Products
Automatic Lifting

Noise Level
45db

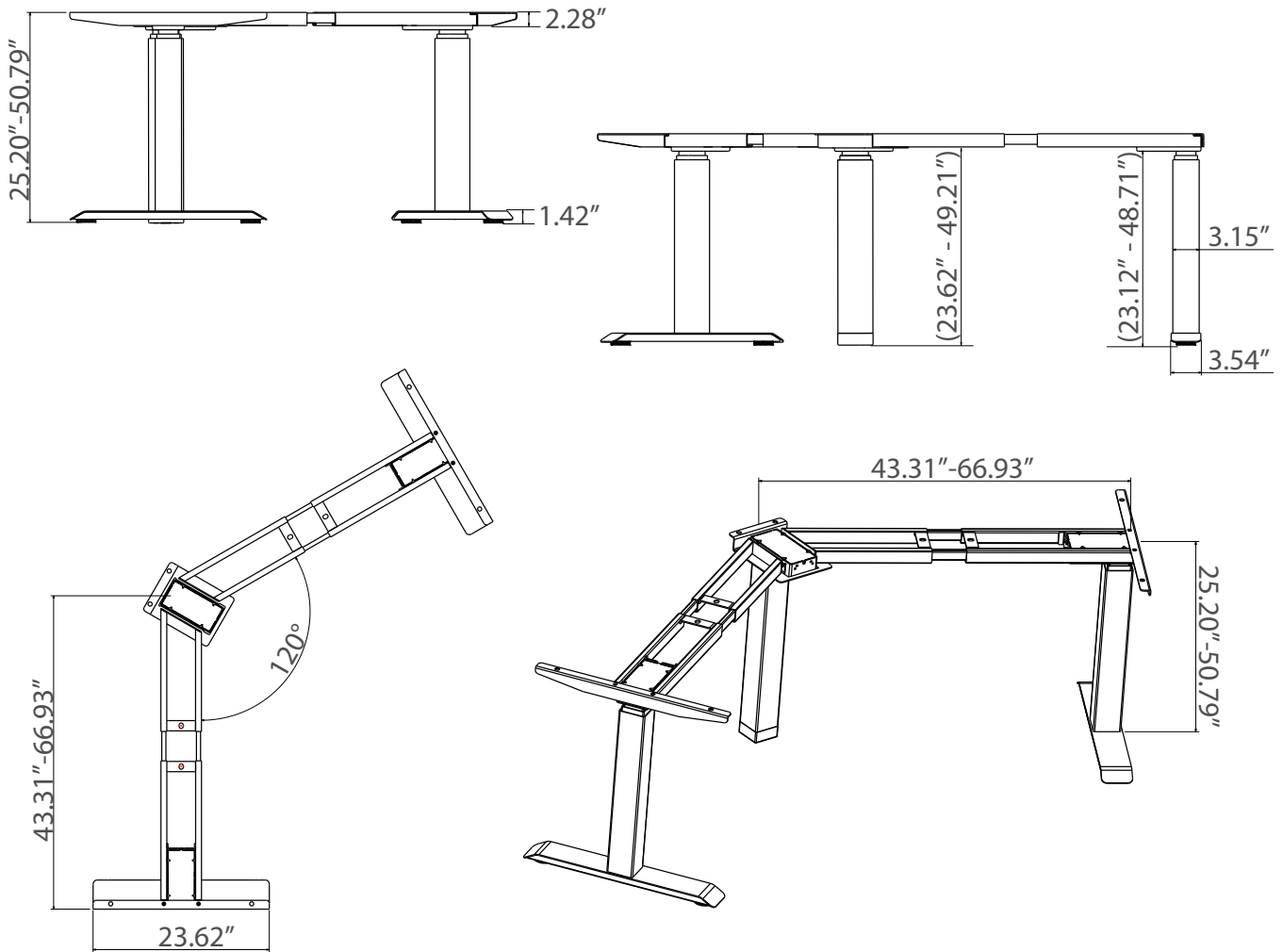
Warranty Period
7 years



RoHS

OFD-CI3ELBASE-120-

3 Stage 120° Electric Height Adjustable Base

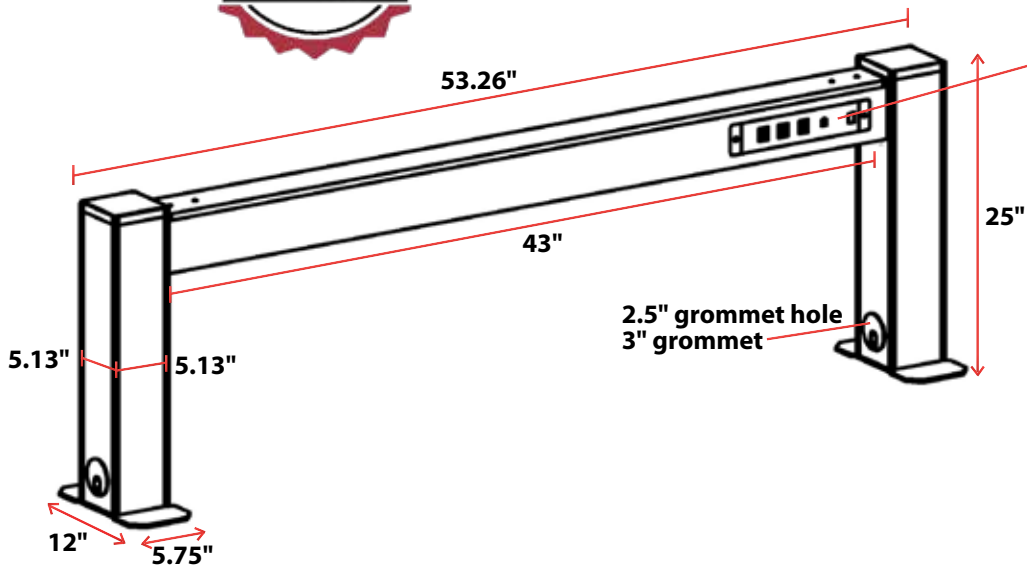


TYPE	DATA
Leg Shape	Square
Frame Height Adjustable Range	25.20" - 50.79" (Top adds 1.1")
Frame Adjustable Range	$W(43.31-66.93")+(43.31-66.93")*D(23.62")$
Foot Length Size	23.62"
Speed	1.6" /second
Maximum Lifting Capacity	330 lbs
Input	100-240V



OFD-PBEAM43-BS

Fixed Elevated Power Trough For 48" Benching, Brushed Silver



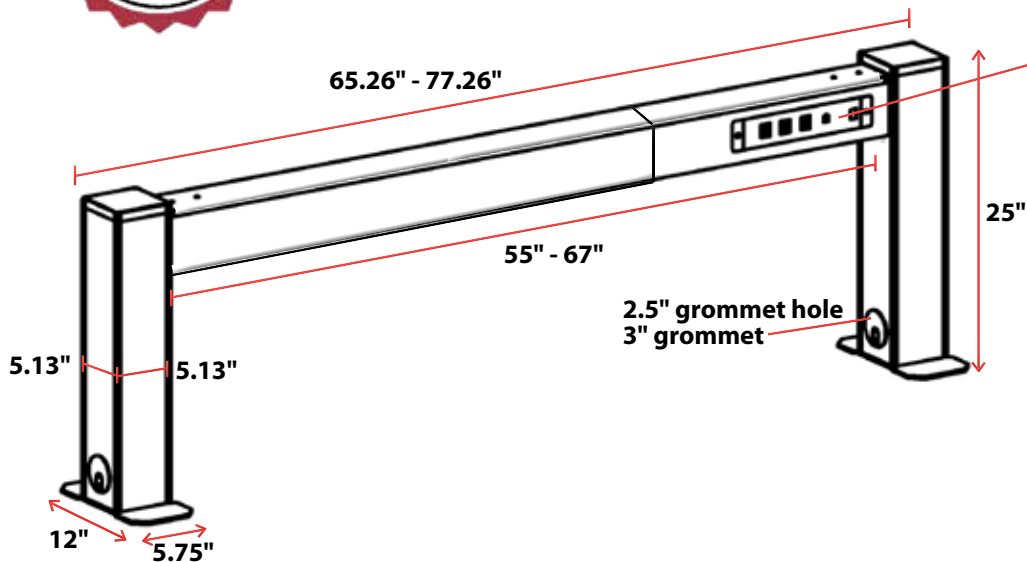
Power and Data Port

Included on both sides of beam

- 2.63"H x 13"W
- 3 Socket Power Outlet
- 2 USB Ports
- 2 RJ45 Knock Outs

OFD-PBEAM6072-BS

Adjustable Elevated Power Trough For 60"-72" Benching, Brushed Silver



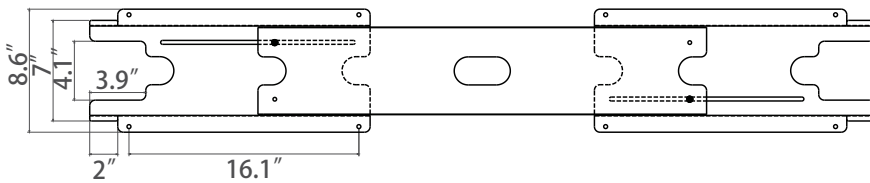
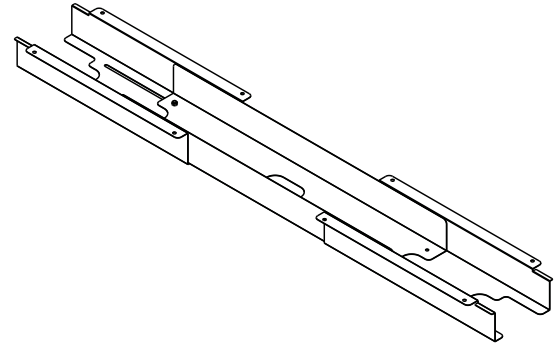
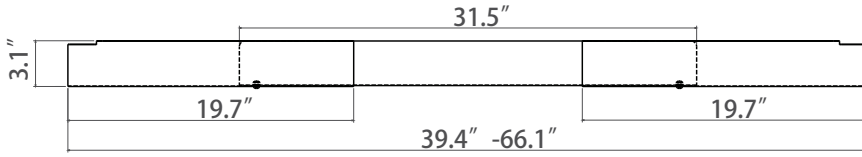
Power and Data Port

Included on both sides of beam

- 2.63"H x 13"W
- 3 Socket Power Outlet
- 2 USB Ports
- 2 RJ45 Knock Outs

OFD-CIELBASECOVER-

Telescopic Cord Cover For Height Adjustable Tables



Paint



OFD-LIFTCASTER-BK

Set of 4 Caster Kit For Height Adjustable Tables

