

# OFD-CI2ELBASE-A- 2 Stage, Dual Motor Electric Height Adjustable Base



(-BS) Brushed Silver



3 Memory Controller  
with 2 USB Ports

(Optional Casters)



### Paint



Brushed Silver

White

Black



Smart L-type Products  
Automatic Lifting



Noise Level  
45db



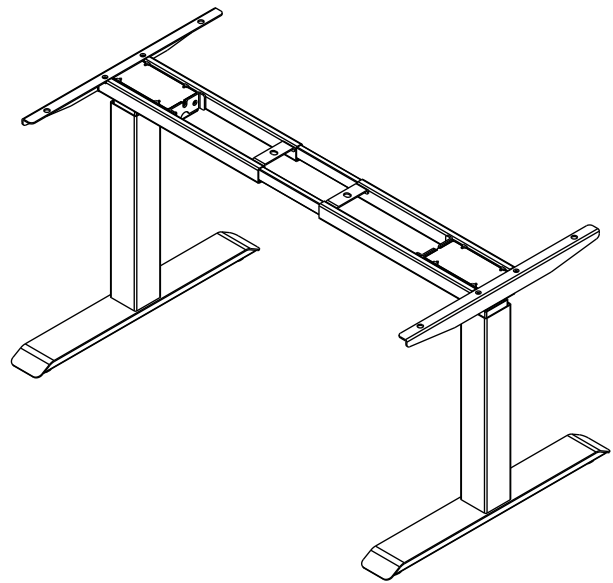
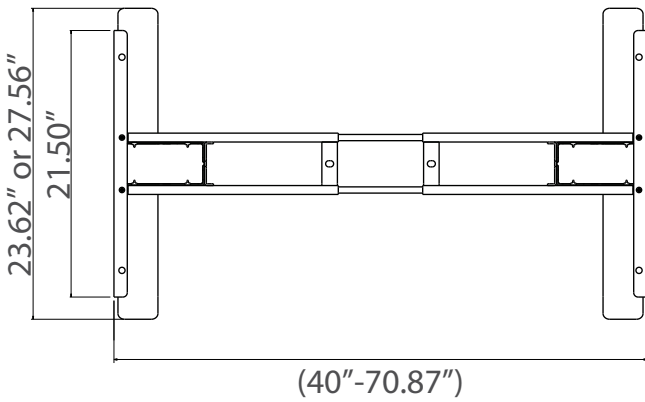
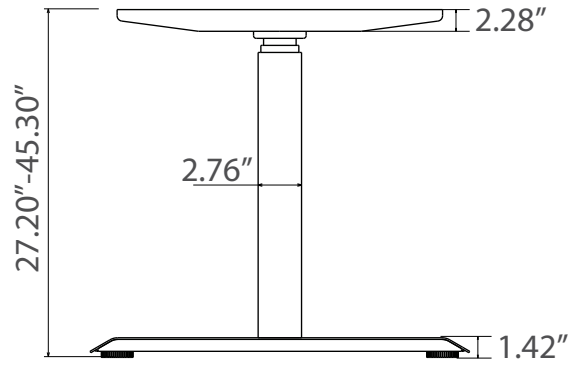
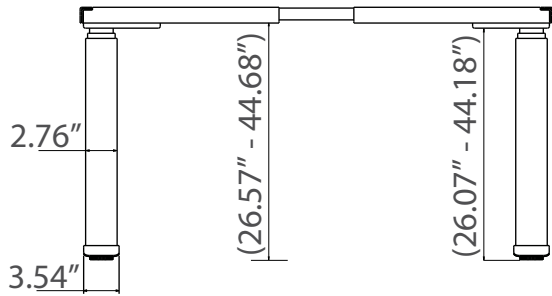
Warranty Period  
7 years



RoHS

# OFD-CI2ELBASE-A-

2 Stage, Dual Motor Electric Height Adjustable Base



| TYPE                          | DATA                            |
|-------------------------------|---------------------------------|
| Leg Shape                     | Square                          |
| Frame Height Adjustable Range | 27.20" - 45.30" (Top adds 1.1") |
| Frame Adjustable Range        | W(40-70.87")*D(21.5")           |
| Foot Length Size (2 Options)  | 23.62" or 27.56"                |
| Speed                         | 1.6" /second                    |
| Maximum Lifting Capacity      | 264 lbs                         |
| Input                         | 100-240V                        |

# **OFD-C13ELBASE-A-** 3 Stage, Dual Motor Electric Height Adjustable Base



**(-BS) Brushed Silver**



**3 Memory Controller  
with 2 USB Ports**

**(Optional Casters)**




### Paint




**Brushed Silver**

**White**

**Black**

 Smart L-type Products  
Automatic Lifting

 Noise Level  
45db

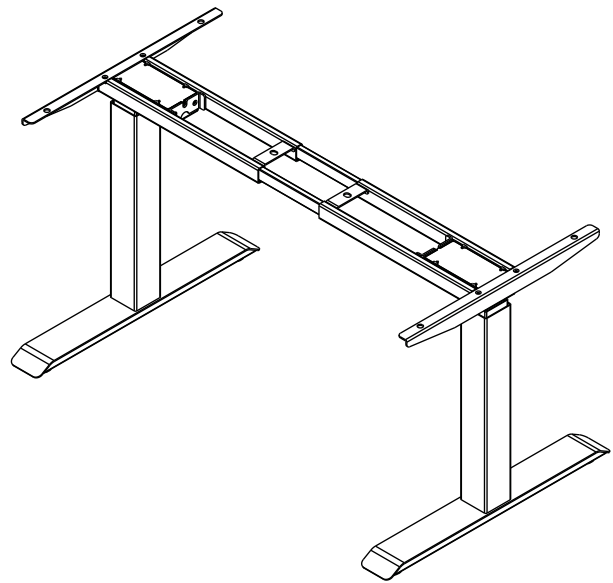
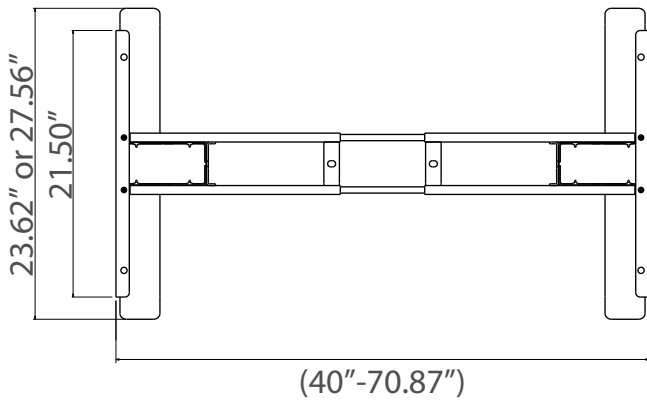
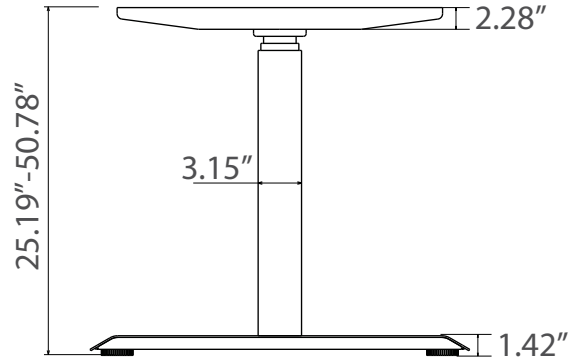
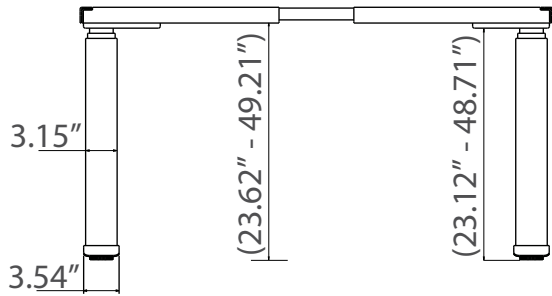
 Warranty Period  
7 years



**RoHS**

# OFD-CI3ELBASE-A-

3 Stage, Dual Motor Electric Height Adjustable Base



| TYPE                          | DATA                            |
|-------------------------------|---------------------------------|
| Leg Shape                     | Square                          |
| Frame Height Adjustable Range | 25.19" - 50.78" (Top adds 1.1") |
| Frame Adjustable Range        | W(40-70.87")*D(21.5")           |
| Foot Length Size (2 Options)  | 23.62" or 27.56"                |
| Speed                         | 1.6" /second                    |
| Maximum Lifting Capacity      | 264 lbs                         |
| Input                         | 100-240V                        |

# OFD-CI2ELBASE-90-

2 Stage 90° Electric Height Adjustable Base



(-BS) Brushed Silver



3 Memory Controller  
with 2 USB Ports

### Paint



Brushed Silver

White

Black

Smart L-type Products  
Automatic Lifting

Noise Level  
50db

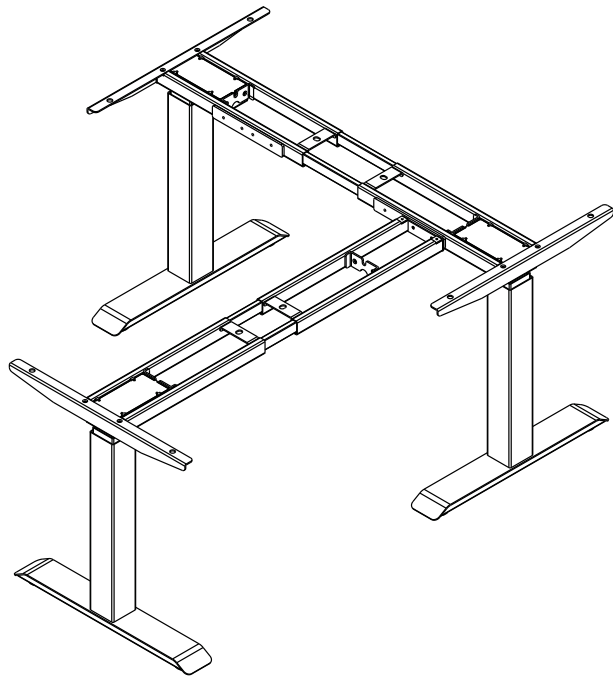
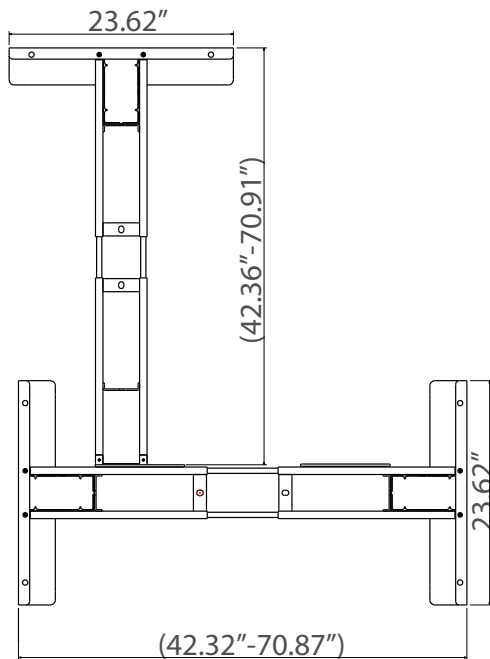
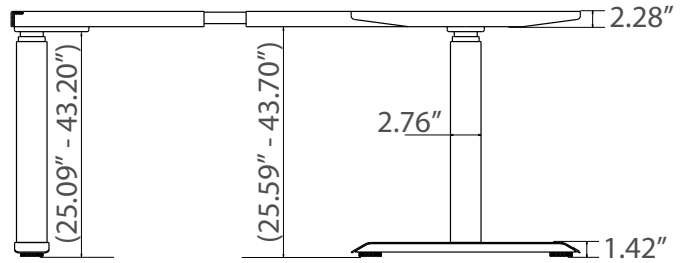
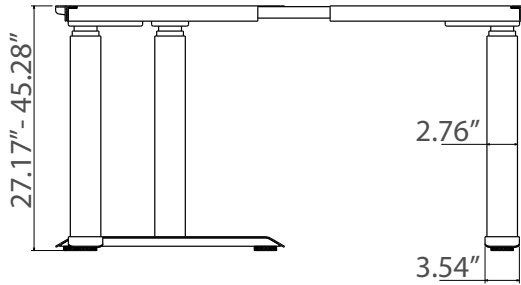
Warranty Period  
7 years



RoHS

# OFD-CI2ELBASE-90-

2 Stage 90° Electric Height Adjustable Base



| TYPE                          | DATA                                       |
|-------------------------------|--|
| Leg Shape                     | Square                                     |
| Frame Height Adjustable Range | 27.17" - 45.28" (Top adds 1.1")            |
| Frame Adjustable Range        | $W(42.36-70.91")+(42.32-70.87")*D(23.62")$ |
| Foot Length Size              | 23.62"                                     |
| Speed                         | 1.26 " /second                             |
| Maximum Lifting Capacity      | 330 lbs                                    |
| Input                         | 100-240V                                   |

# OFD-C13ELBASE-90-

3 Stage 90° Electric Height Adjustable Base



**7**  
**YEAR**  
**WARRANTY**



3 Memory Controller with 2 USB Ports Available Soon!

**(-BS) Brushed Silver**



**4 Memory Controller**

### Paint




**Brushed Silver**

**White**

**Black**

 Smart L-type Products  
Automatic Lifting

 Noise Level  
45db

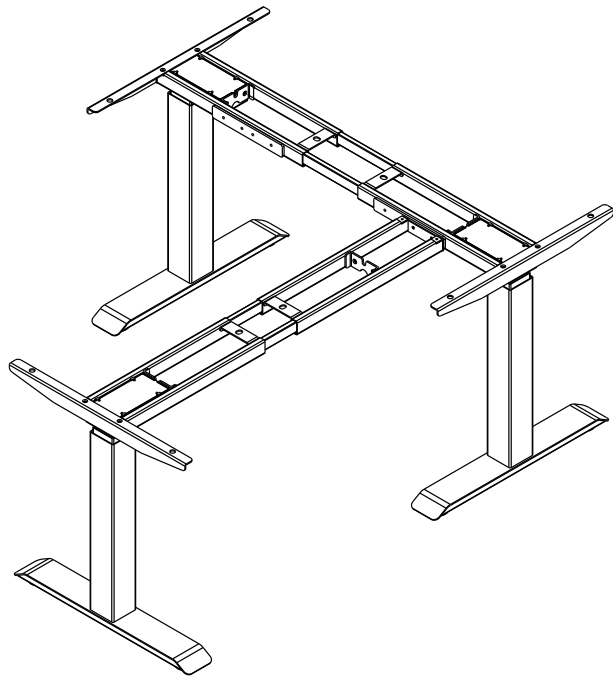
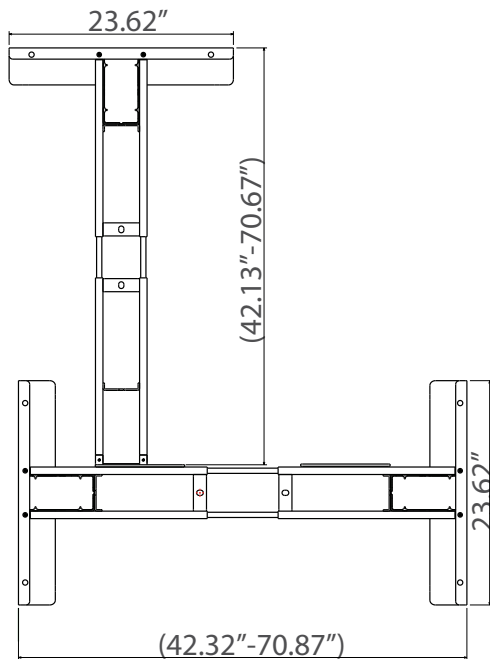
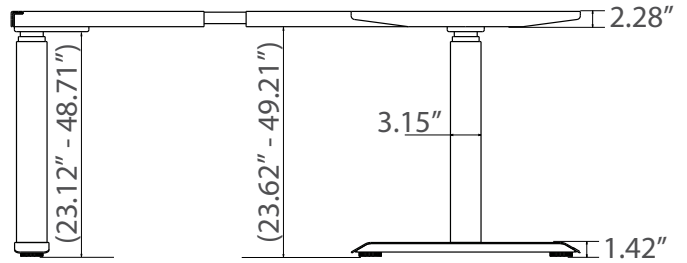
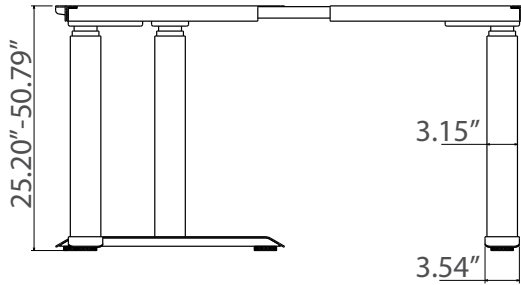
 Warranty Period  
7 years



**RoHS**

# OFD-CI3ELBASE-90-

## 3 Stage 90° Electric Height Adjustable Base



| TYPE                          | DATA                                       |
|-------------------------------|--|
| Leg Shape                     | Square                                     |
| Frame Height Adjustable Range | 25.20" - 50.79" (Top adds 1.1")            |
| Frame Adjustable Range        | $W(42.13-70.67")+(42.32-70.87")*D(23.62")$ |
| Foot Length Size              | 23.62"                                     |
| Speed                         | 1.6" /second                               |
| Maximum Lifting Capacity      | 330 lbs                                    |
| Input                         | 100-240V                                   |



# OFD-CI2ELBASE-120-

2 Stage 120° Electric Height Adjustable Base



(-BS) Brushed Silver

### Smart L-type Products



3 Memory Controller  
with 2 USB Ports

### Paint



Brushed Silver

White

Black



Smart L-type Products  
Automatic Lifting



Noise Level  
50db



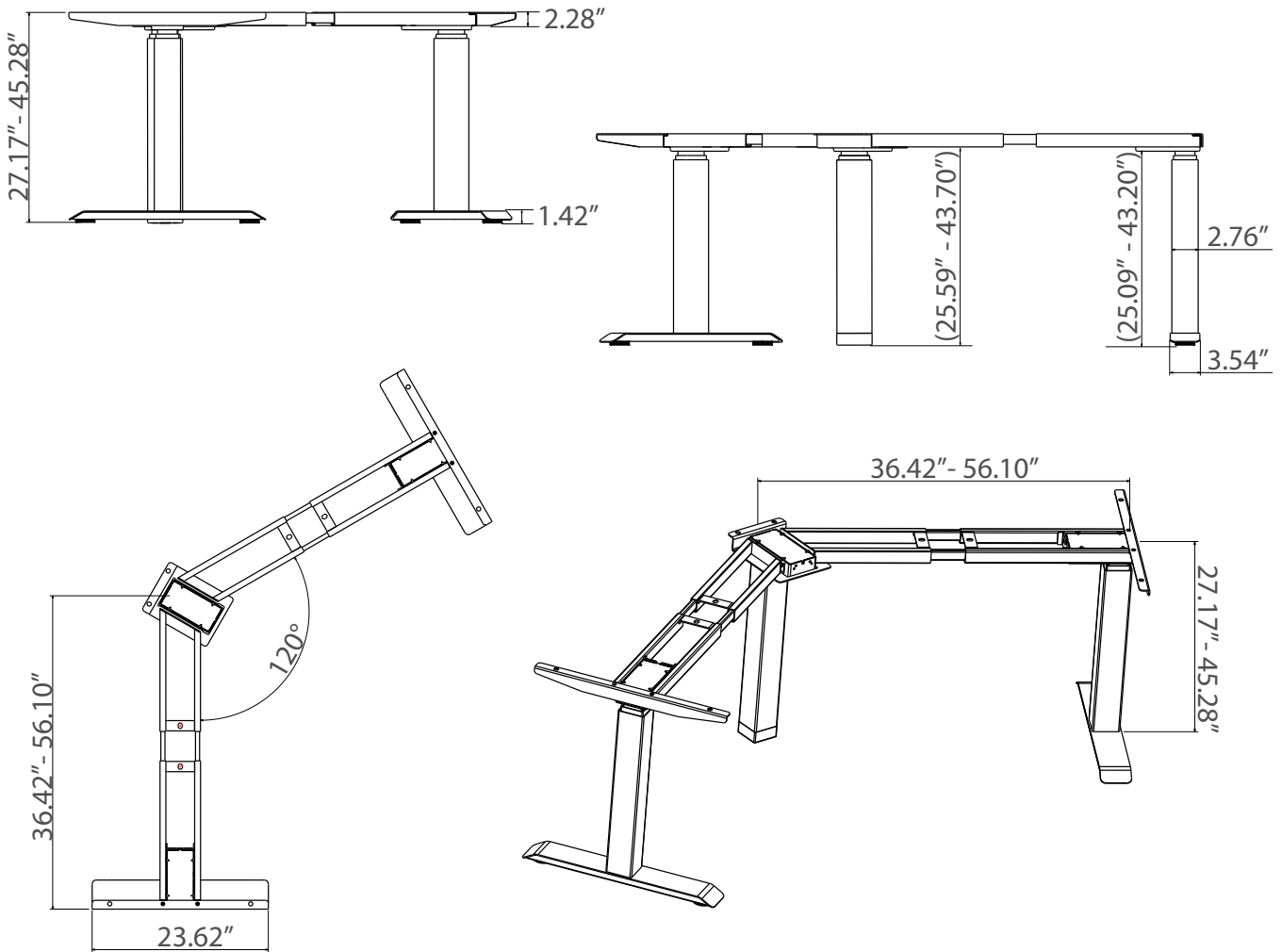
Warranty Period  
7 years



RoHS

# OFD-CI2 ELBASE-120-

2 Stage 120° Electric Height Adjustable Base



| TYPE                          | DATA                                       |
|-------------------------------|--|
| Leg Shape                     | Square                                     |
| Frame Height Adjustable Range | 27.17" - 45.28" (Top adds 1.1")            |
| Frame Adjustable Range        | $W(36.42-56.10")+(36.42-56.10")*D(23.62")$ |
| Foot Length Size              | 23.62"                                     |
| Speed                         | 1.26" /second                              |
| Maximum Lifting Capacity      | 330 lbs                                    |
| Input                         | 100-240V                                   |

# OFD-C13ELBASE-120-

3 Stage 120° Electric Height Adjustable Base



(-BS) Brushed Silver



3 Memory Controller  
with 2 USB Ports

### Paint



Brushed Silver

White

Black

Smart L-type Products  
Automatic Lifting

Noise Level  
45db

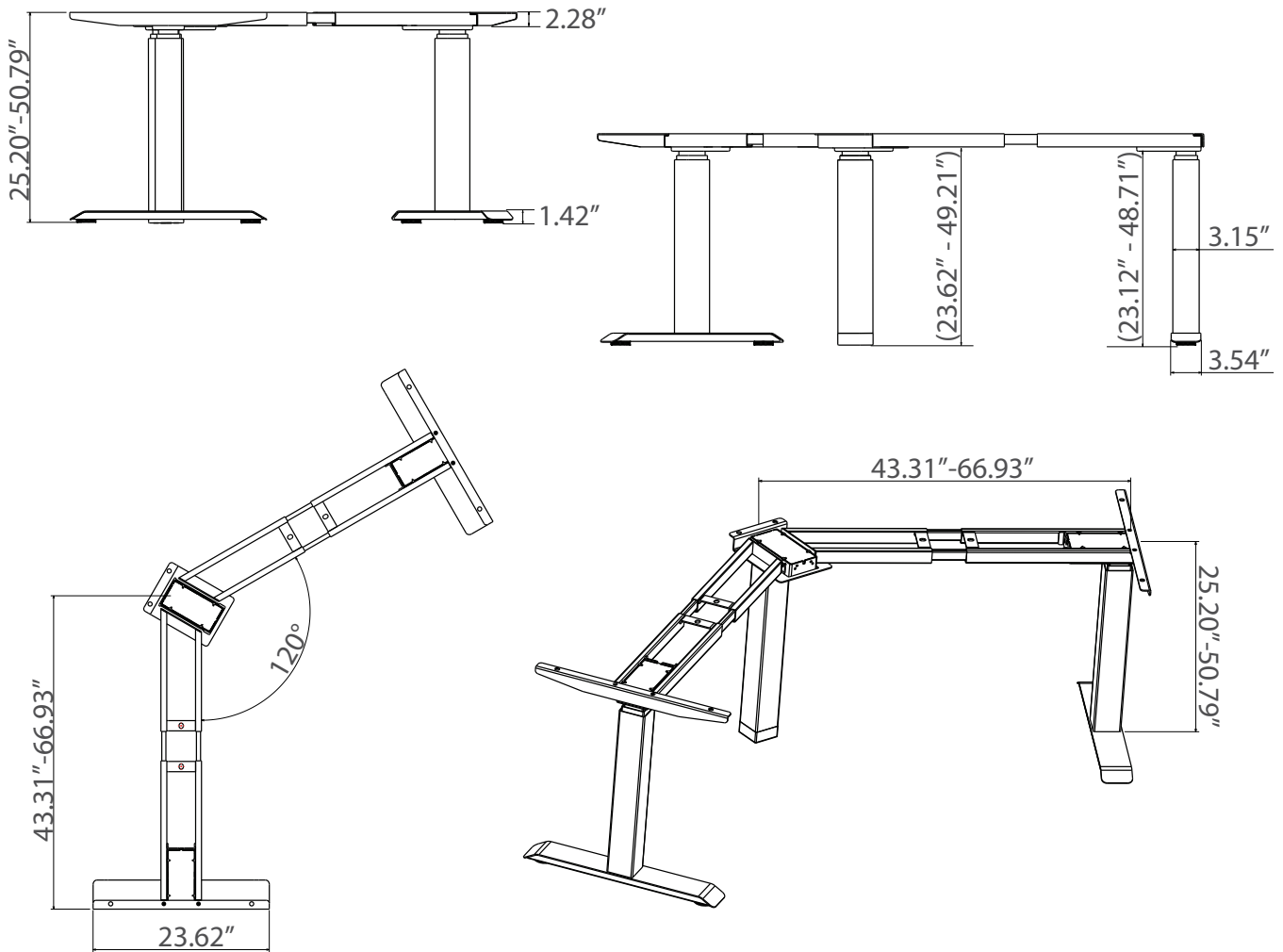
Warranty Period  
7 years



RoHS

# OFD-CI3ELBASE-120-

## 3 Stage 120° Electric Height Adjustable Base

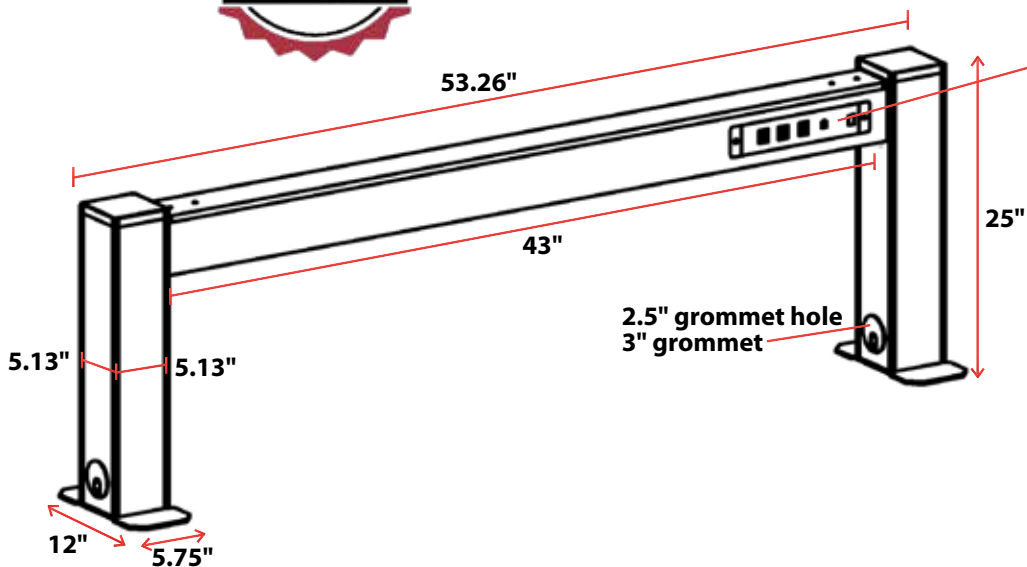


| TYPE                          | DATA                                       |
|-------------------------------|--|
| Leg Shape                     | Square                                     |
| Frame Height Adjustable Range | 25.20" - 50.79" (Top adds 1.1")            |
| Frame Adjustable Range        | $W(43.31-66.93")+(43.31-66.93")*D(23.62")$ |
| Foot Length Size              | 23.62"                                     |
| Speed                         | 1.6" /second                               |
| Maximum Lifting Capacity      | 330 lbs                                    |
| Input                         | 100-240V                                   |



## OFD-PBEAM43-BS

Fixed Elevated Power Trough For 48" Benching, Brushed Silver



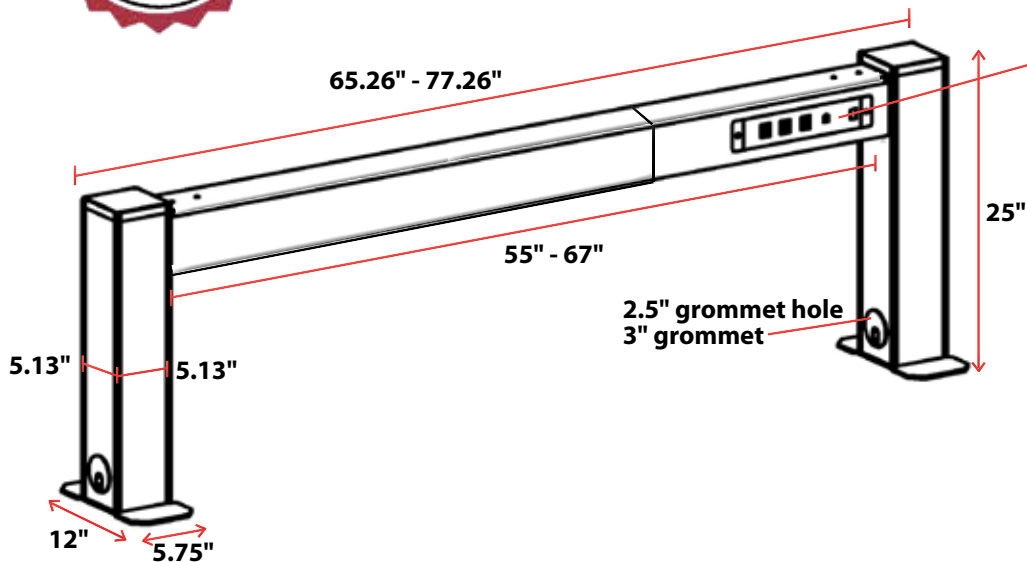
### Power and Data Port

Included on both sides of beam

- 2.63"H x 13"W
- 3 Socket Power Outlet
- 2 USB Ports
- 2 RJ45 Knock Outs

## OFD-PBEAM6072-BS

Adjustable Elevated Power Trough For 60"-72" Benching, Brushed Silver



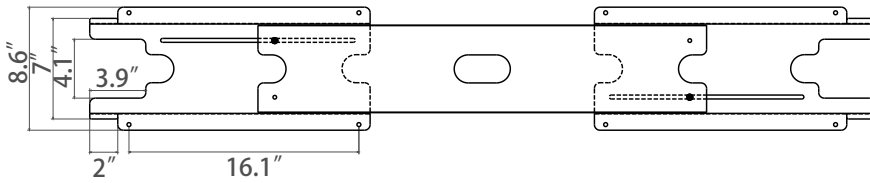
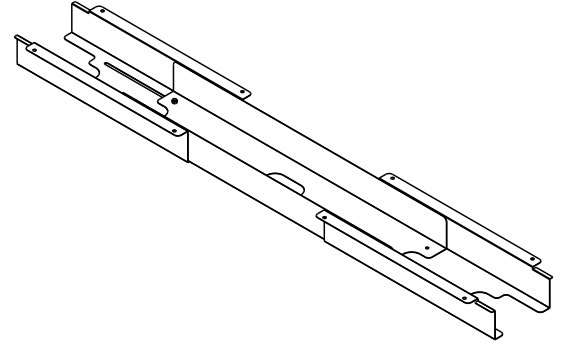
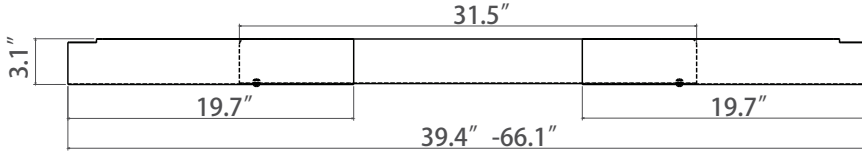
### Power and Data Port

Included on both sides of beam

- 2.63"H x 13"W
- 3 Socket Power Outlet
- 2 USB Ports
- 2 RJ45 Knock Outs

## **OFD-CIELBASECOVER-**

*Telescopic Cord Cover For Height Adjustable Tables*



Paint



## **OFD-LIFTCASTER-BK**

*Set of 4 Caster Kit For Height Adjustable Tables*

