



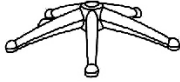



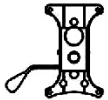



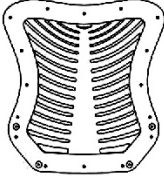

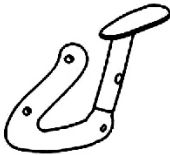

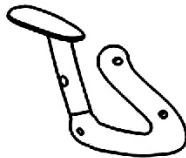

Office Furniture Distributors 1 888 648-3635

Model Number MI-6200-BLK

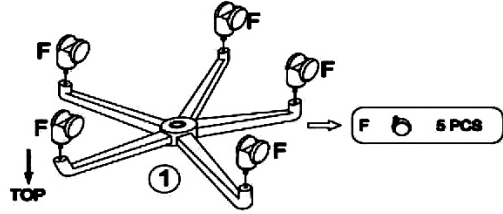
LB-8806

Assembly instructions

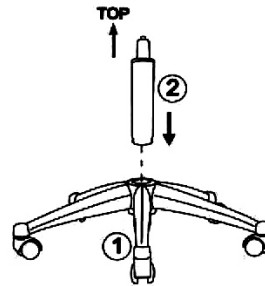
PARTS

<p>① X 1</p> 	<p>A.M6*20 X 4</p> 
<p>② X 1</p> 	<p>B.M6*20 X 4</p> 
<p>③ X 1</p> 	<p>C.M6*35 X 4</p> 
<p>④ X 1</p> 	<p>D.X 4</p> 
<p>⑤ X 1</p> 	<p>E.X 1</p> 
<p>⑥ X 1</p> 	<p>F.X 5</p> 
<p>⑦ X 1</p> 	<p>G.X 4</p> 

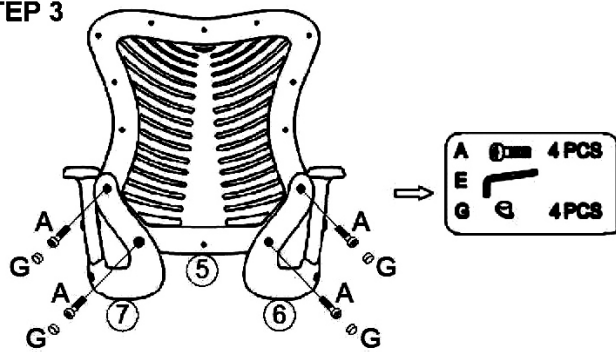
STEP 1



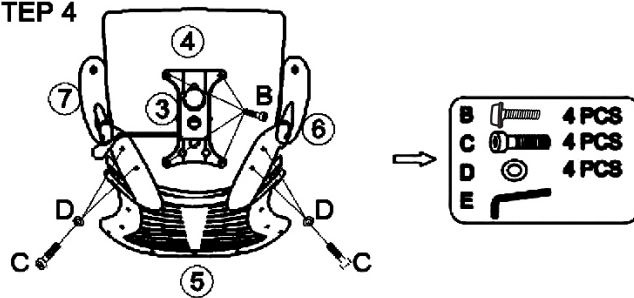
STEP 2



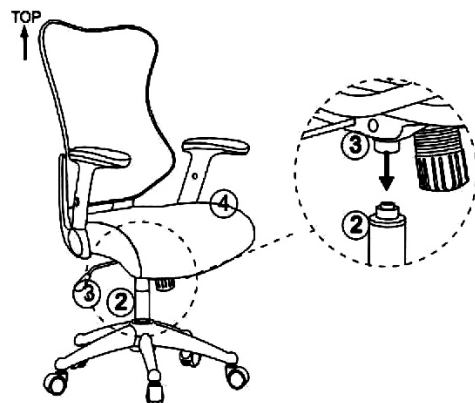
STEP 3



STEP 4



STEP 5



NOTICE:
EVERY 6 MONTHS, PLEASE MAKE SURE ALL BOLTS,
SCREWS AND KNOBS ARE FULLY TIGHTENED TO
ENSURE STABILITY.