
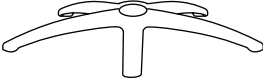


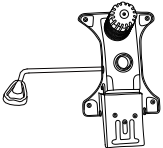

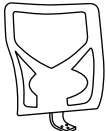
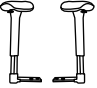


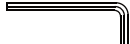
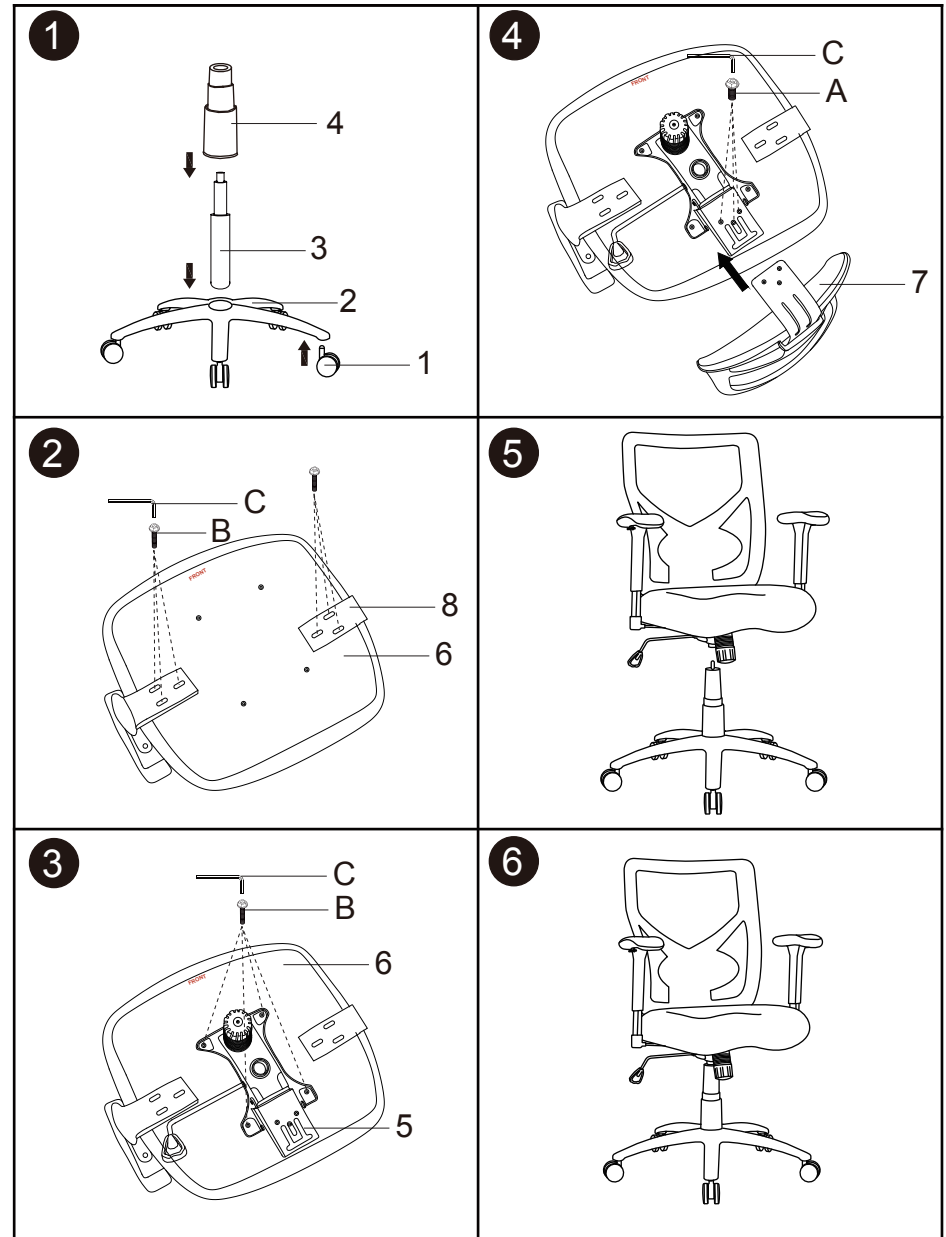




Office Furniture Distributors

Model Number : MI3102-BLK

| | | |
|---|---|---|
| (1) | (2) | (3) |
|  |  |  |
| Caster : 5 pcs | 5-Star Base : 1 pc | Gas Lift : 1 pc |
| (4) | (5) | (6) |
|  |  |  |
| Cover : 1 pc | Mechanism : 1 pc | Seat Cushion : 1 pc |
| (7) | (8) | |
|  |  | |
| Back Cushion : 1 pc | Arm Rest : 2 pcs | |
| Hardware | | |
| A | B | C |
|  |  |  |
| Screw : 3 pcs | Screw : 10 pcs | Wrench : 1 pc |
| | | |
| | | |
| | | |



Customer Service : 1-866-648-3635