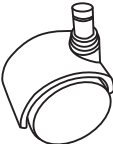
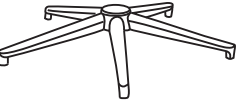

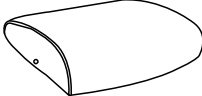
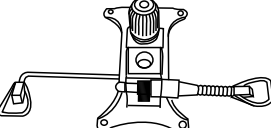
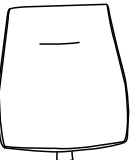
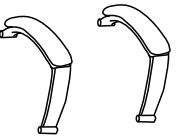
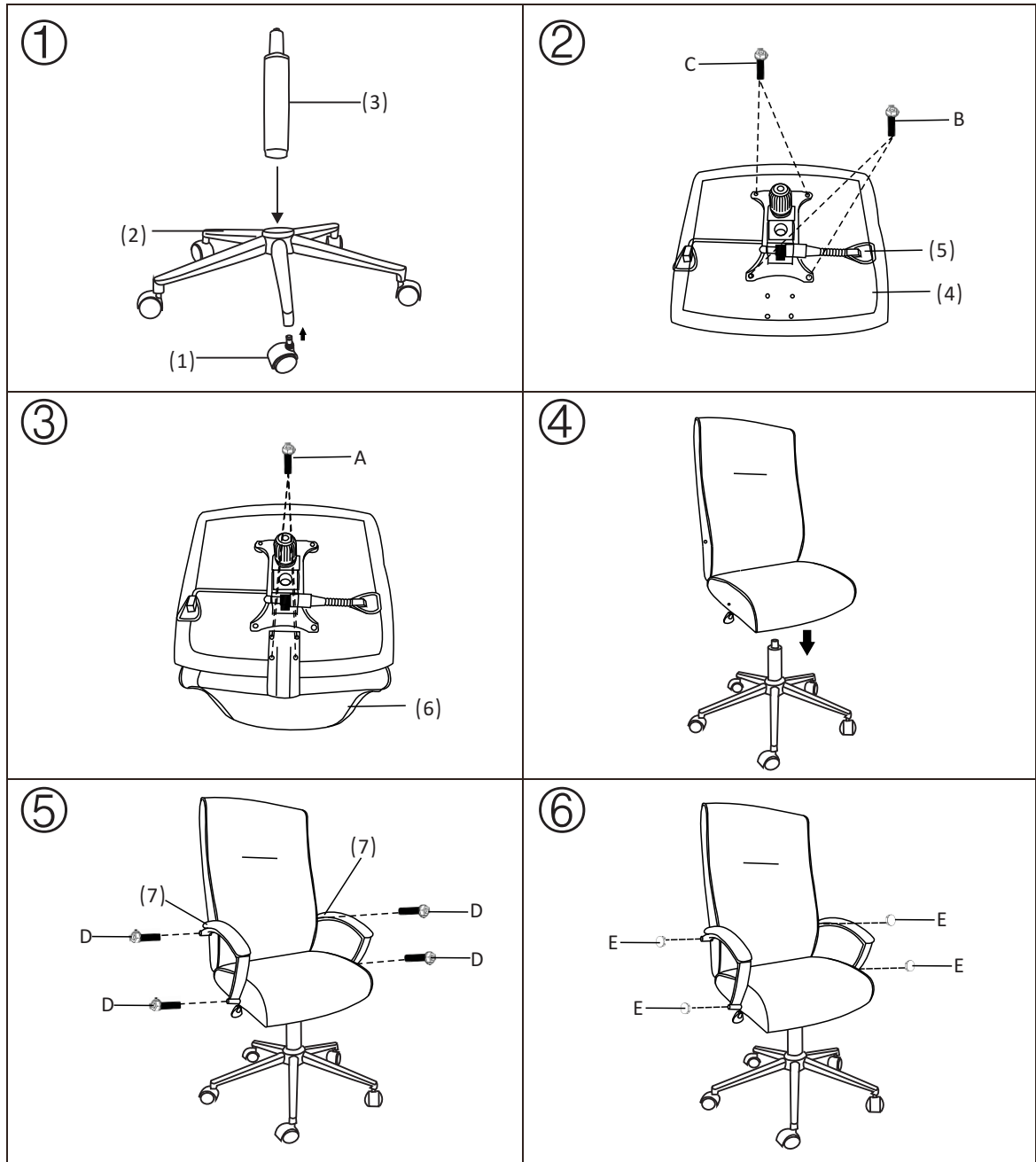









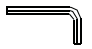
Office Furniture Distributors

Model Number : OFD-555-BLK

| | | |
|---|---|---|
| (1) | (2) | (3) |
|  |  |  |
| Caster : 5 pcs | 5-Star Base : 1 pc | Gas Lift: 1 pc |
| (4) | (5) | (6) |
|  |  |  |
| Seat Cushion : 1 pc | Mechanism : 1 pc | Backrest : 1 pc |
| (7) | | |
|  | | |
| Arm Rest : 2 pcs | | |



Hardware

| | | | |
|---|---|---|---|
| A | B | C | D |
|  |  |  |  |
| Screw : 4 pcs | Screw : 2 pcs | Screw : 2 pcs | Screw : 4 pcs |
| E | F | | |
|  |  | | |
| Caps: 4 pcs | Wrench : 1 pc | | |