

Available Jan 1!

# OFD-CI2ELBASE-120-

2 Stage 120° Electric Height Adjustable Base



(-BS) Brushed Silver



3 Memory Controller with 2 USB Ports

### Paint



Brushed Silver

White

Black

Smart L-type Products  
Automatic Lifting

Noise Level  
50db

Warranty Period  
7 years

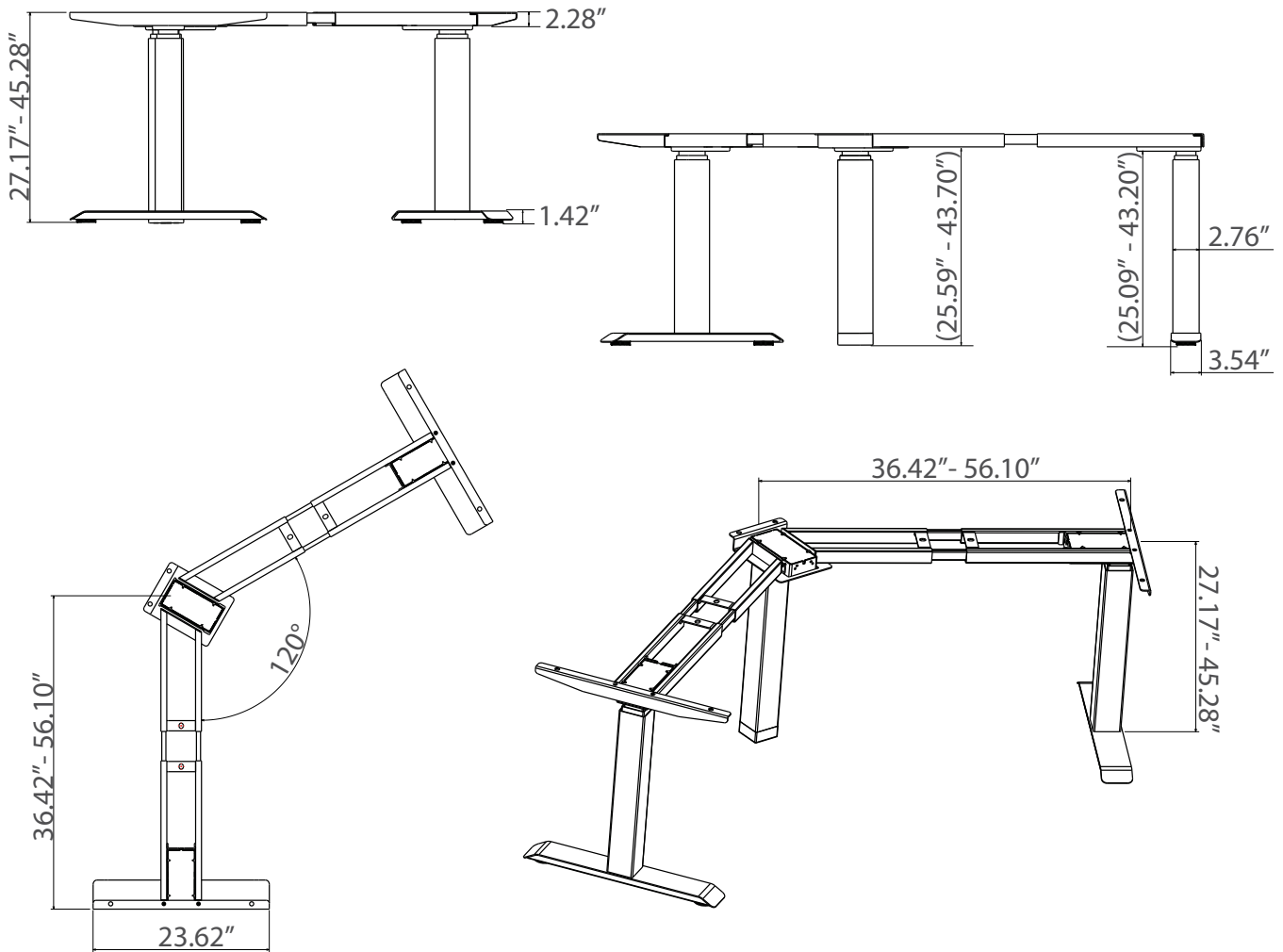


RoHS

# OFD-CI2 ELBASE-120-

Available Jan 1!

## 2 Stage 120° Electric Height Adjustable Base



TYPE	DATA
Leg Shape	Square
Frame Height Adjustable Range	27.17" - 45.28" (Top adds 1.1")
Frame Adjustable Range	$W(36.42-56.10")+(36.42-56.10")*D(23.62")$
Foot Length Size	23.62"
Speed	1.26" /second
Maximum Lifting Capacity	330 lbs
Input	100-240V