

Available Jan 1!

OFD-CI2ELBASE-90-

2 Stage 90° Electric Height Adjustable Base

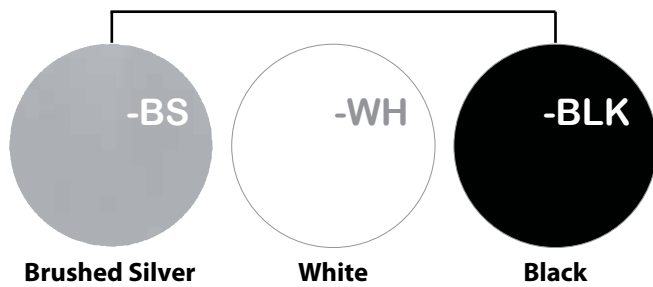


(-BS) Brushed Silver



3 Memory Controller with 2 USB Ports

Paint



Smart L-type Products Automatic Lifting

Noise Level 50db

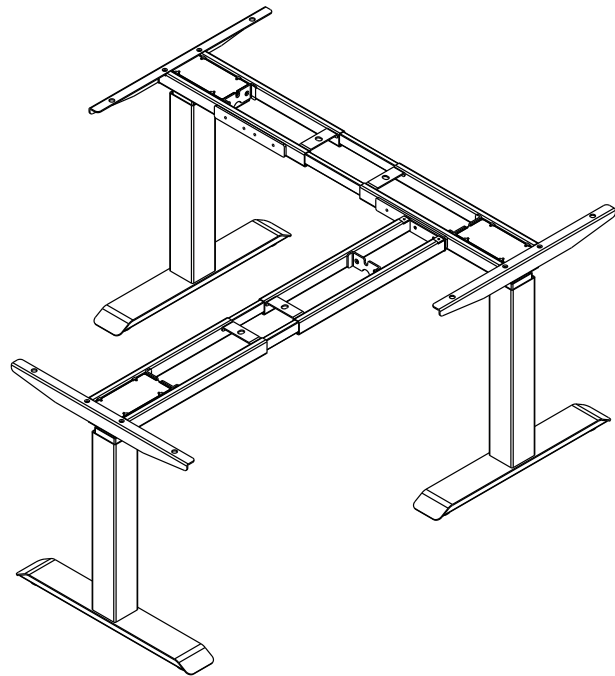
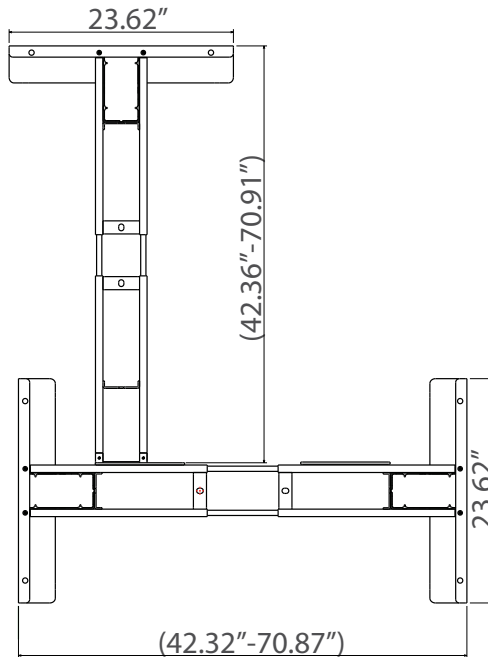
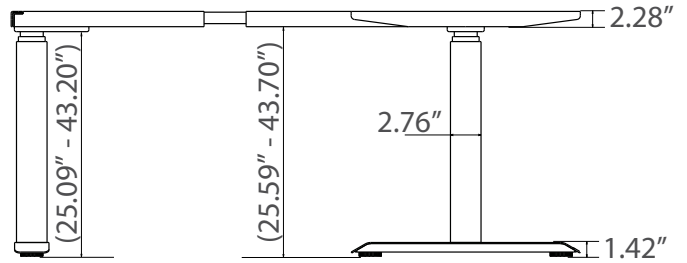
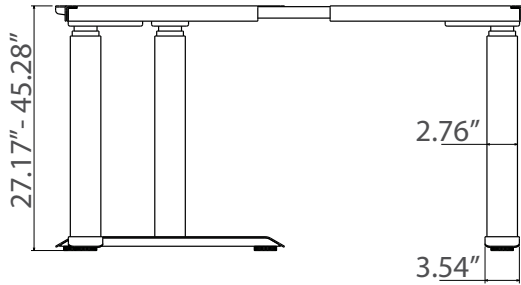
Warranty Period 7 years



RoHS

OFD-CI2ELBASE-90-
2 Stage 90° Electric Height Adjustable Base

Available Jan 1!



TYPE	DATA
Leg Shape	Square
Frame Height Adjustable Range	27.17" - 45.28" (Top adds 1.1")
Frame Adjustable Range	$W(42.36-70.91")+(42.32-70.87")*D(23.62")$
Foot Length Size	23.62"
Speed	1.26 " /second
Maximum Lifting Capacity	330 lbs
Input	100-240V