

OFD-CI2ELBASE3642-A-

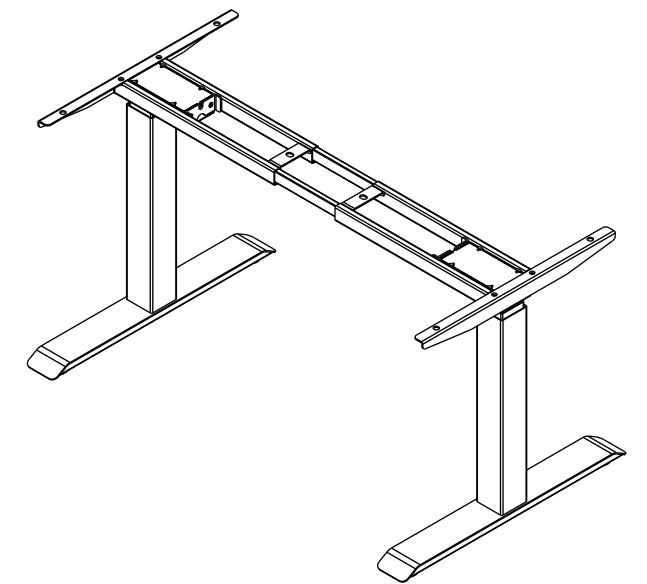
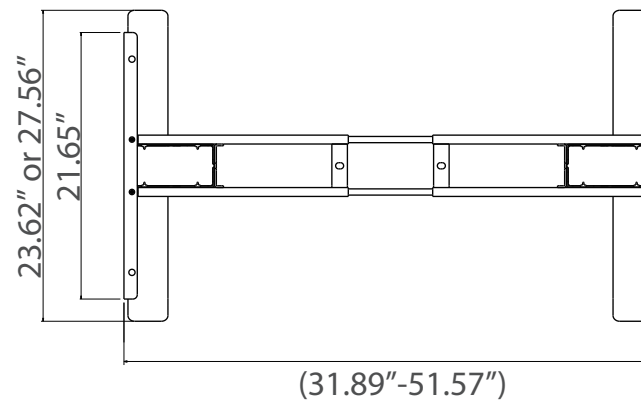
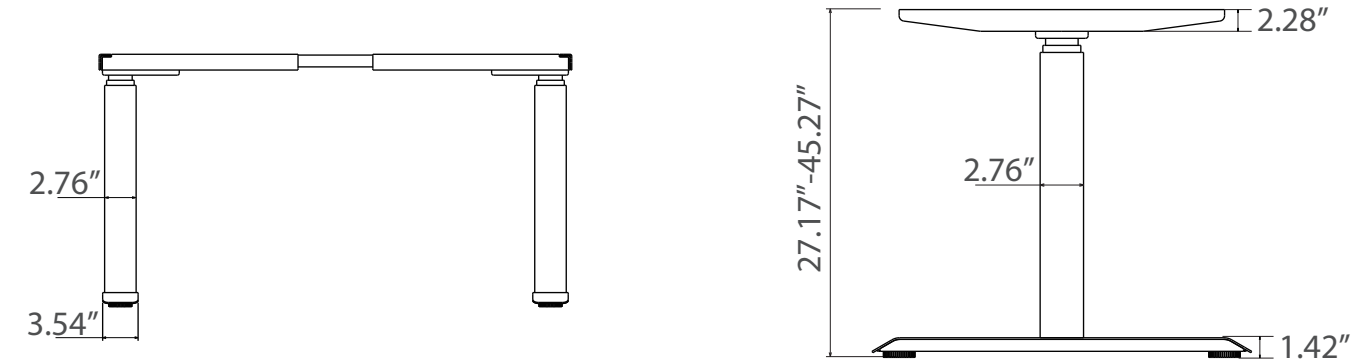
2 Stage, Dual Motor Electric Height Adjustable Base for 36"-46" Tops

OFD-CI2ELBASE3642-A-

2 Stage, Dual Motor Electric Height Adjustable Base for 36"-46" Tops



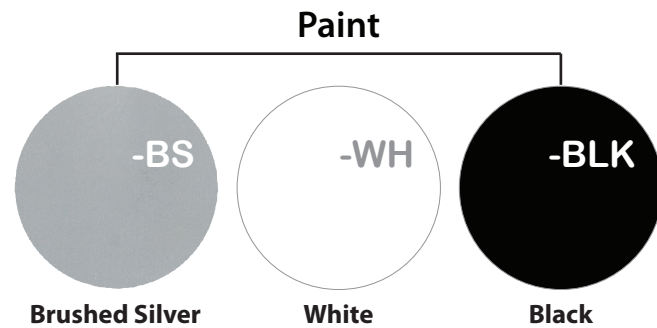
(-BS) Brushed Silver



3 Memory Controller with 2 USB Ports



(Optional Casters)



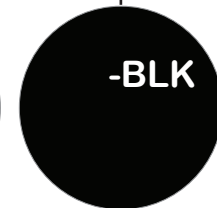
Paint



Brushed Silver



White



Black



Smart L-type Products Automatic Lifting



Noise Level 45db



Warranty Period Lifetime Limited



RoHS

TYPE	DATA
Leg Shape	Square
Frame Height Adjustable Range	27.17" - 45.27" (Top adds 1.1")
Frame Adjustable Range	W(31.89-51.57")*D(21.65")
Foot Length Size (2 Options)	23.62" or 27.56"
Speed	1.6" /second
Maximum Lifting Capacity	264 lbs
Input	100-240V