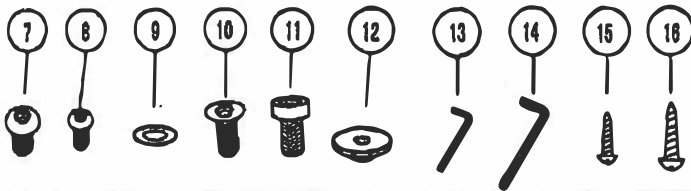
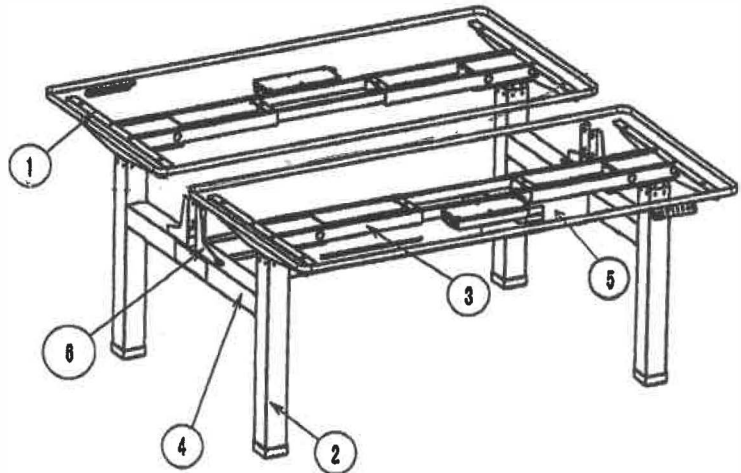
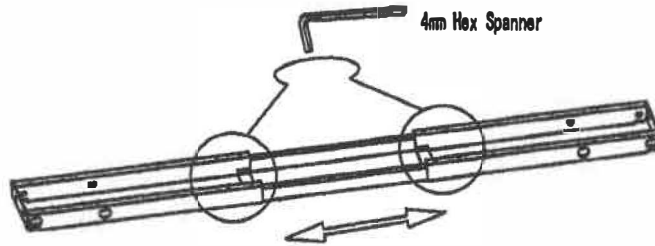


Parts and Tools list

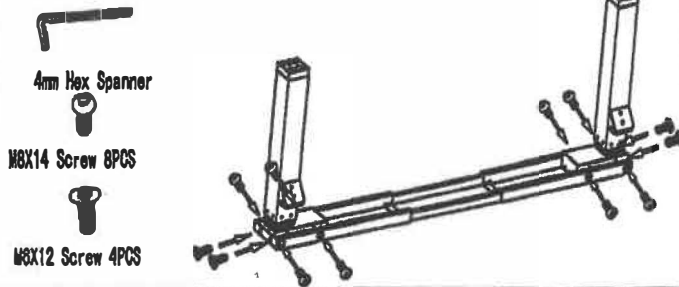
NO.	Name	Qty	NO.	Name	Qty
1	Brackets	4	12	Rubber Cushion	12
2	Legs	4	13	4mm Hex Spanner	2
3	Beam	2	14	5mm Hex Spanner	2
4	connection beam	2	15	ST3.5 Screw	4
5	cable tray	1	16	ST4.8 Screw	16
6	Screen clip	4			
7	M6X10 Screw	8			
8	M6X14 Screw	16			
9	Gasket8	8			
10	M6X12 Screw	16			
11	M6X18 Screw	16			



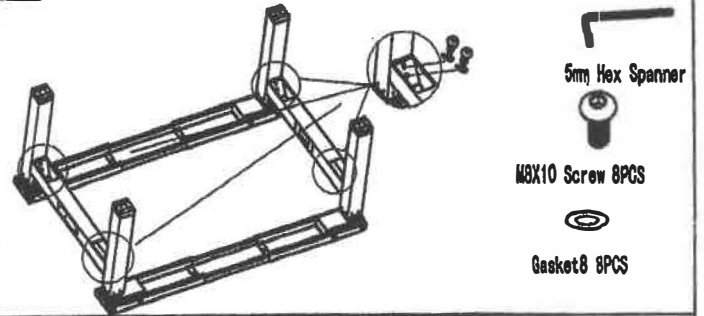
1 Loosen the 8 screws of beam using 4MM hex spanner, adjust the beam to proper position to fit the desktop then tighten screws.



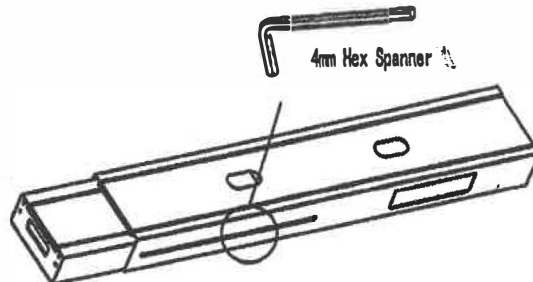
2 Attach legs to the beam using 8 of M6*14 screws and 4 of M6*12 screws. (the other side is same)



3 Attach connection beam to leg using 8 of M6*10 screws and 8 of gasket.



4 Open the cover of cable tray, using 4mm Hex spanner to loosen the screws on both sides of cable tray, and then adjust the cabletray length.



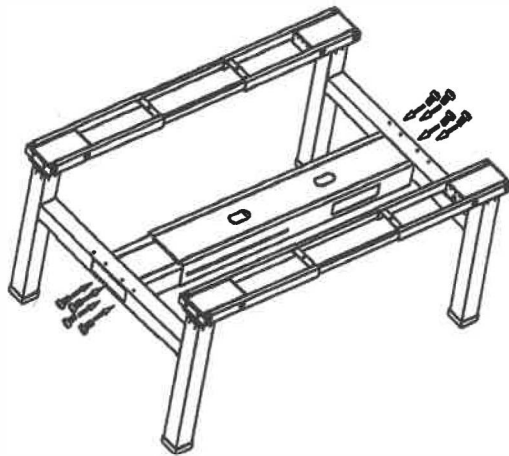
5 Using 5mm Hex Spanner and 8pcs M6*16 screws, fixed the cabletray on connecting beam.



5mm Hex Spanner



M6X16 Screw 8PCS



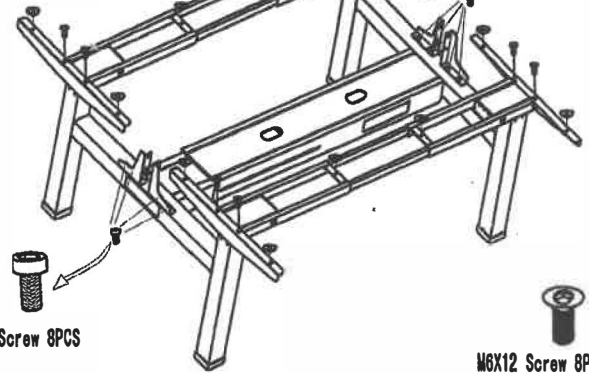
6 Fix brackets to beams by using 8pcs M8*12 screws with 4mm hex spanner, then fix 12pcs rubber cushions on the brackets and beams.



5mm Hex Spanner



4mm Hex Spanner



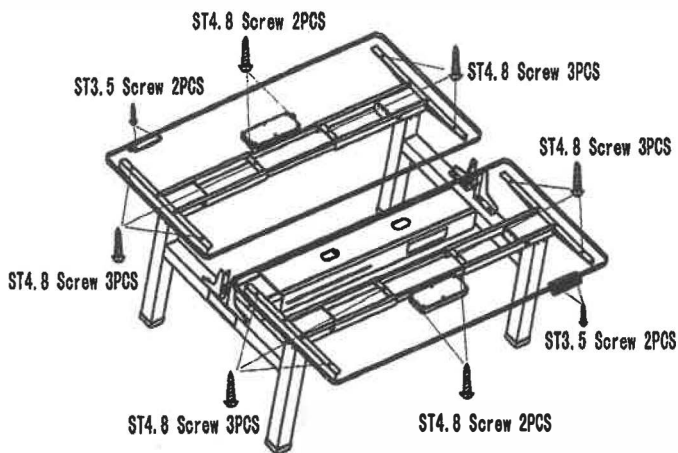
M6X18 Screw 8PCS

M6X12 Screw 8PCS

Fix Screen clip to connection beam by using 8pcs M8*16 screws

Rubber Cushion 12PCS

7 Fix table top to frames with 12pcs ST4.8 screws, then fix control boxes to below table top with 4pcs ST4.8 screws, at last fix handsets to below table top with 4pcs ST3.5 screws.



8 Connect the control box to the handset and to the motor

