

# OFD-C13ELBASE-120-

3 Stage 120° Electric Height Adjustable Base



(-BS) Brushed Silver



3 Memory Controller  
with 2 USB Ports

### Paint



Brushed Silver

White

Black

Available Dec 16!

Smart L-type Products  
Automatic Lifting

Noise Level  
45db

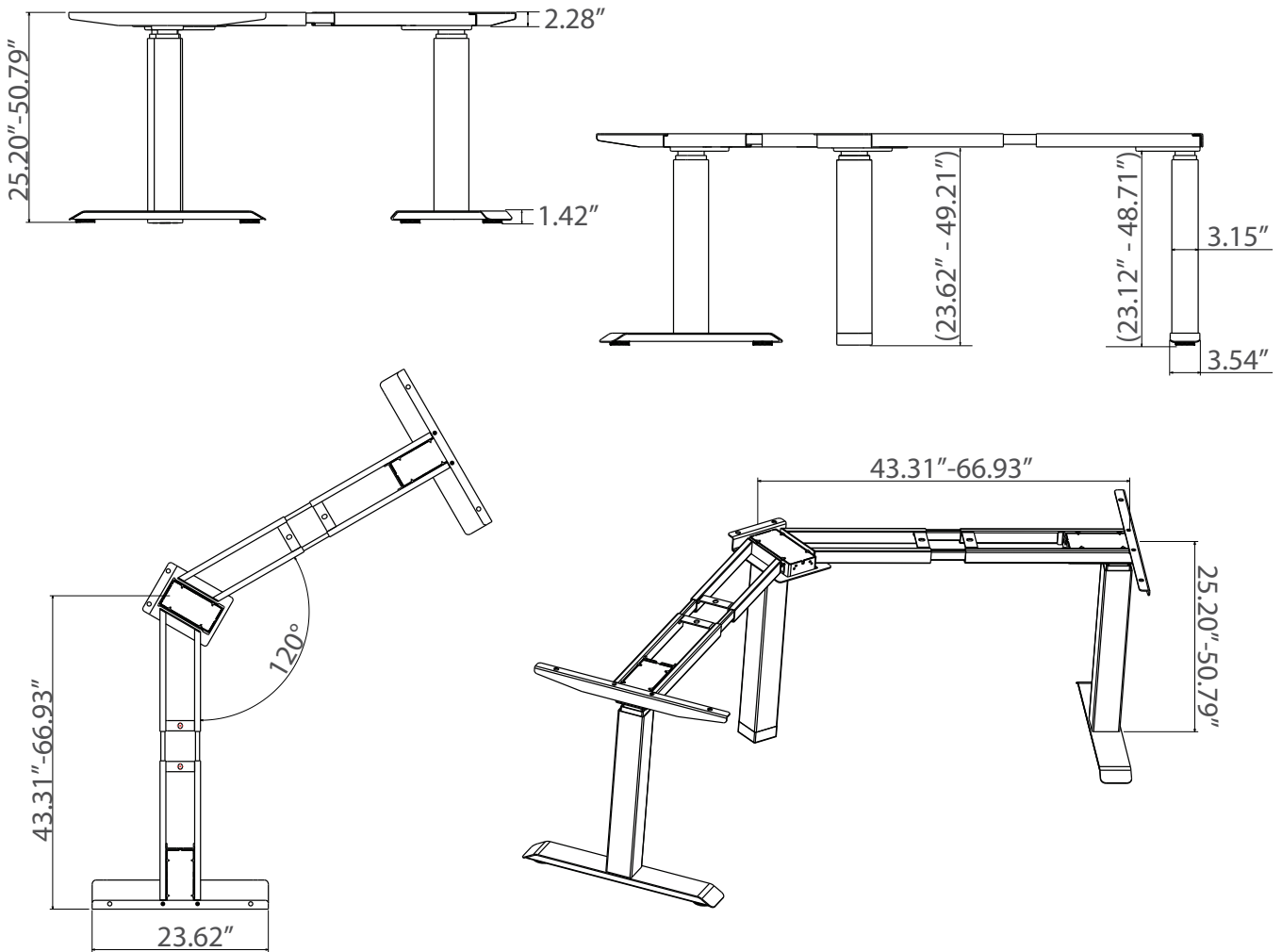
Warranty Period  
7 years



RoHS

# OFD-CI3ELBASE-120-

## 3 Stage 120° Electric Height Adjustable Base



TYPE	DATA
Leg Shape	Square
Frame Height Adjustable Range	25.20" - 50.79" (Top adds 1.1")
Frame Adjustable Range	$W(43.31-66.93")+(43.31-66.93")*D(23.62")$
Foot Length Size	23.62"
Speed	1.6" /second
Maximum Lifting Capacity	330 lbs
Input	100-240V