



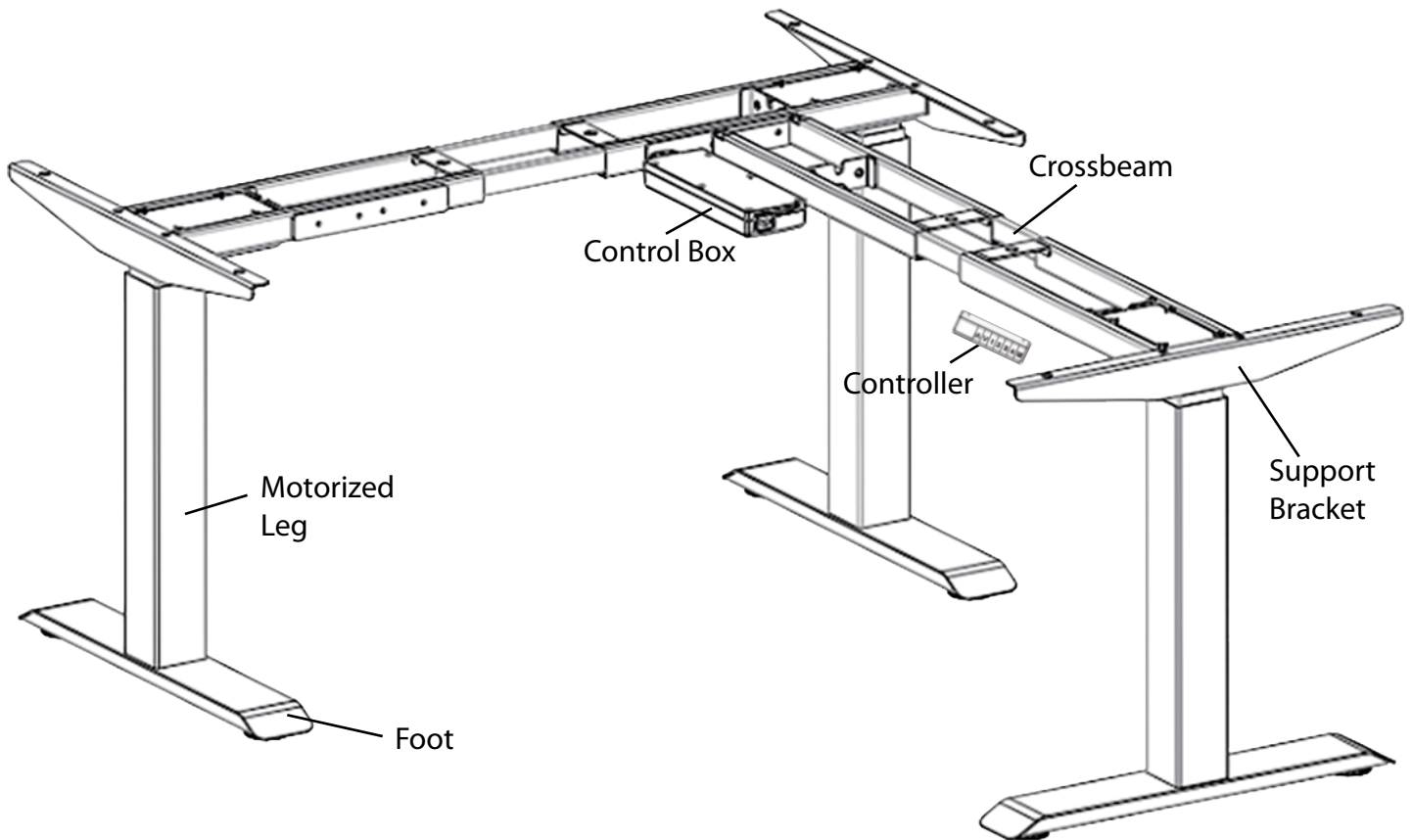
## Assembly and Operation Instructions

### Metal Base for Height Adjustable Desk














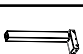

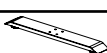



OFD-CI3ELBASE-90-BS

OFD-CI3ELBASE-90-WH

OFD-CI3ELBASE-90-BLK



## COMPONENTS AND TOOLS

REFERENCE	TYPE	QUANTITY	ITEM
<b><u>PIECES</u></b>			
<b>A</b>	<b>M6*10 screw</b>	<b>16</b>	
<b>B</b>	<b>M6*12 screw</b>	<b>18</b>	
<b>C</b>	<b>M8*16 screw</b>	<b>12</b>	
<b>D</b>	<b>M6*8 screw</b>	<b>2</b>	
<b>E</b>	<b>ST4.8*19 self-tapping screw</b>	<b>2</b>	
<b>F</b>	<b>ST3.5*19 self-tapping screw</b>	<b>2</b>	
<b>G</b>	<b>ST4.8*25 self-tapping screw</b>	<b>10</b>	
<b>H</b>	<b>Plastic Pad</b>	<b>10</b>	
<b>I</b>	<b>Rubber Cushion</b>	<b>10</b>	
<b><u>PARTS</u></b>			
	<b>Control Box</b>	<b>1</b>	
	<b>Controller</b>	<b>1</b>	
	<b>Power Cord</b>	<b>1</b>	
	<b>Crossbeam</b>	<b>2</b>	
	<b>Motorized Leg</b>	<b>3</b>	
	<b>Support Bracket</b>	<b>3</b>	
	<b>Foot</b>	<b>3</b>	
<b><u>TOOLS</u></b>			
	<b>4mm Allen Key</b>	<b>1</b>	
	<b>5mm Allen Key</b>	<b>1</b>	
	<b>Adhesive Cable Ties</b>	<b>5</b>	
	<b>Drill/Driver</b>	<b>Not Included</b>	

# ASSEMBLY INSTRUCTIONS

*(2 people recommended)*

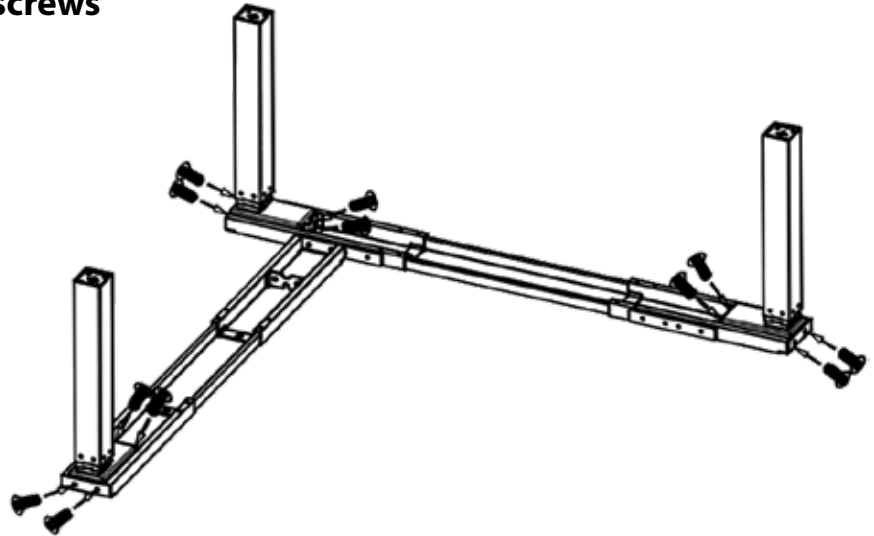
## **STEP 1:**

Place (2) x crossbeams on stable surface and attach each leg using **(12) x B screws**  
*(4 screws for each leg)*

Tool Required:  
4mm Allen Key



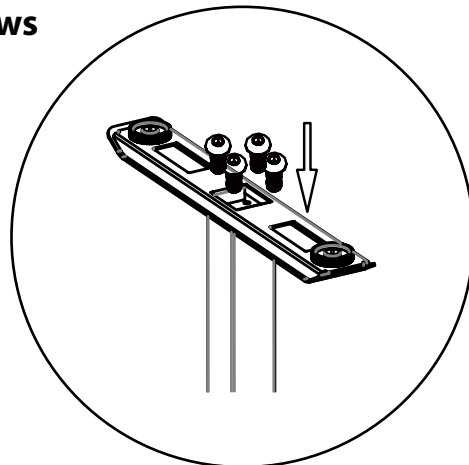
**B Screws**



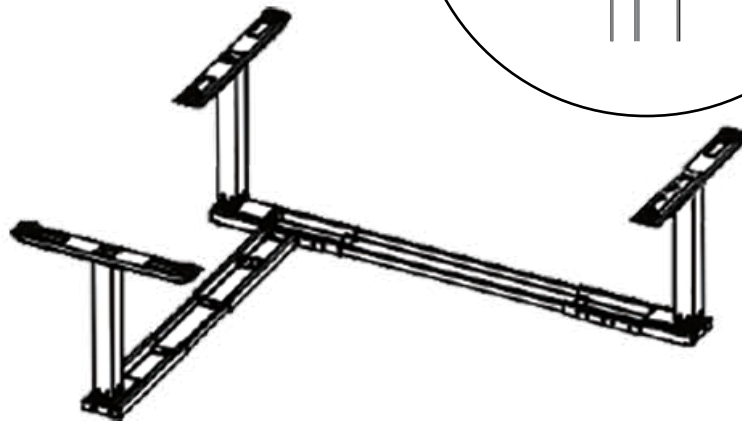
## **STEP 2:**

Attach each foot to each leg using **(12) x C screws**  
*(4 screws for each foot)*

Tool Required:  
5mm Allen Key



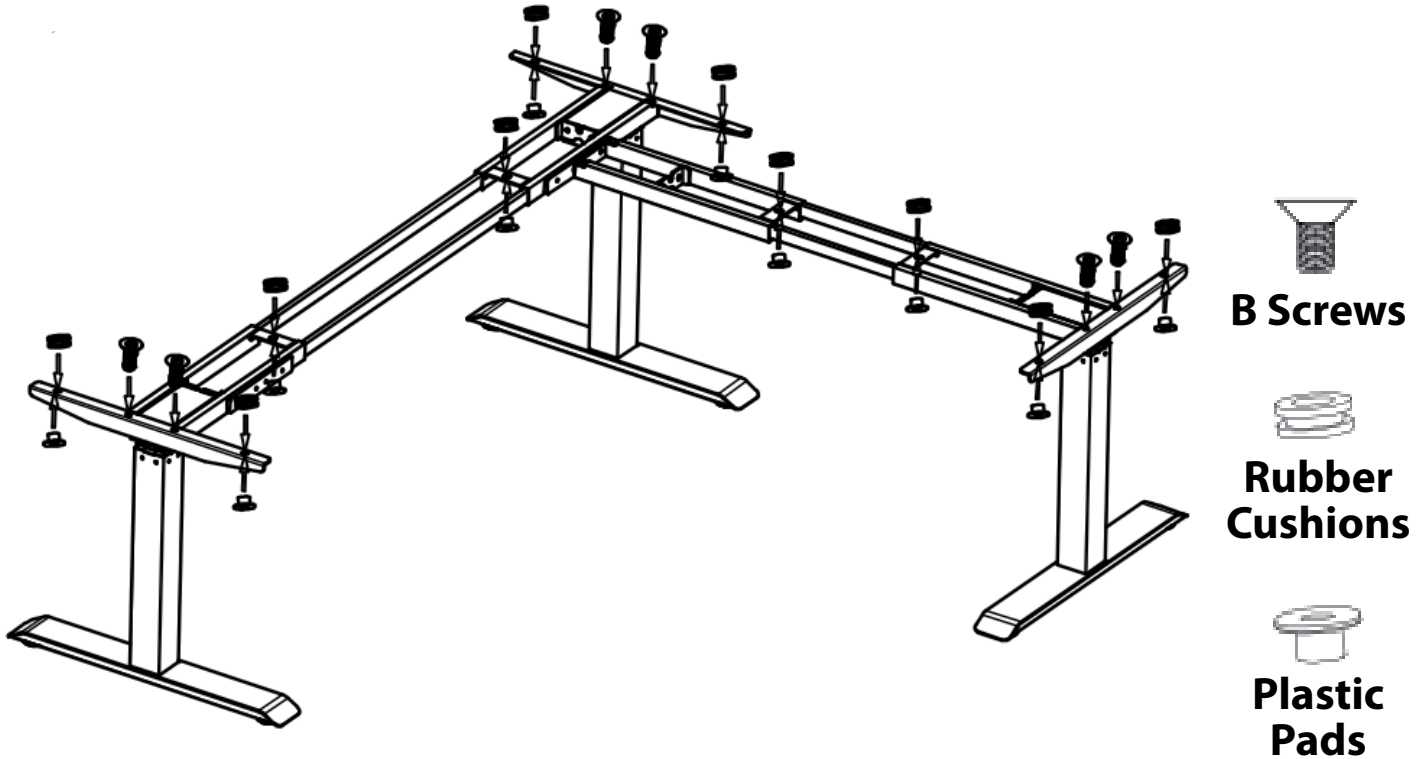
**C Screws**



### STEP 3:

Turn frame over and attach **(3) x support brackets** using **(6) x B screws**. Place **(2) rubber cushions** and **(2) plastic pads** on each support bracket and **(2)** of each at crossbeam as shown in image. *(10 rubber cushions and 10 plastic pads total)*

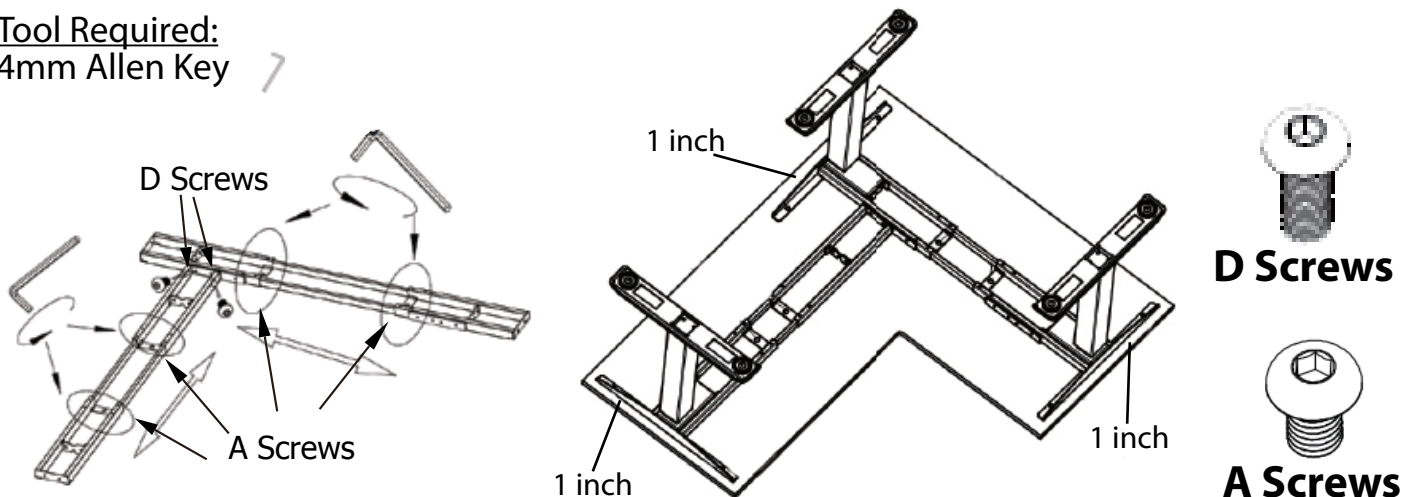
Tool Required:  
4mm Allen Key



### STEP 4:

Turn frame over and place on underside of desktop. Adjust crossbeams so frame is centered and inset 1 inch from each end of desktop edge. Use **(2) x D screws** to attach crossbeams together. Use **(16) x A screws** to lock frame adjustment into place.

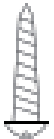
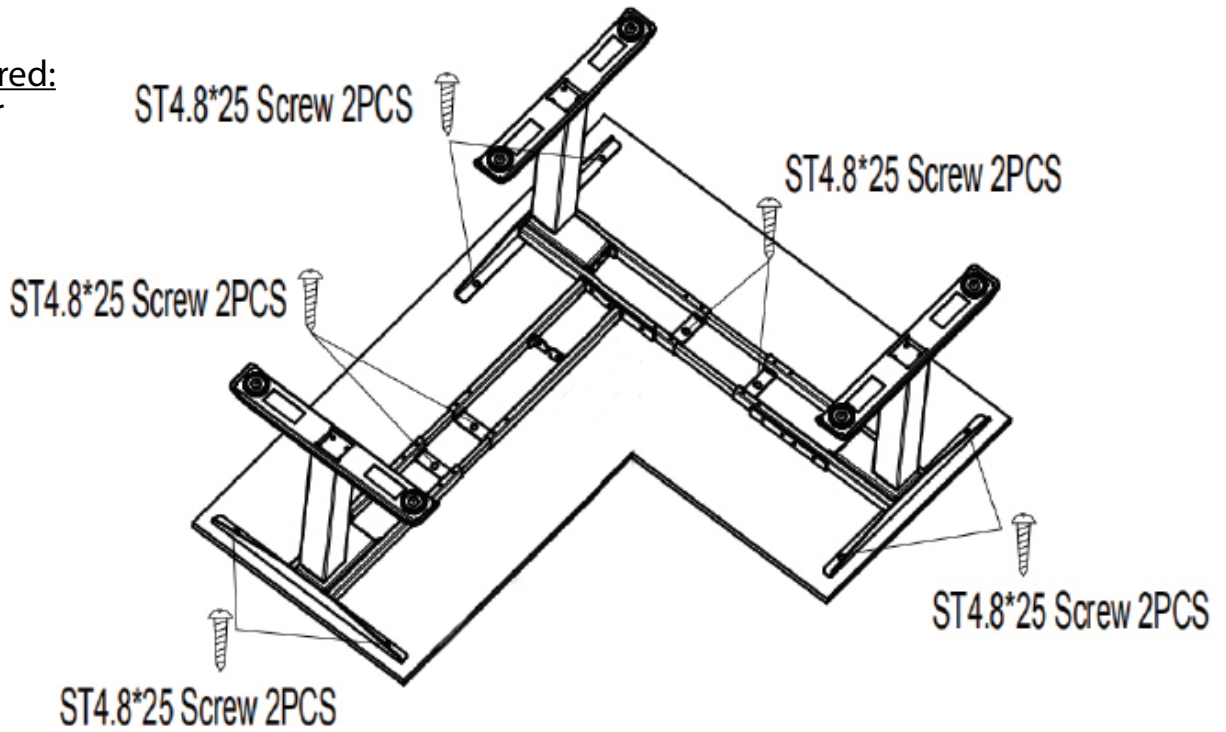
Tool Required:  
4mm Allen Key



### STEP 5:

Secure frame to desktop using **(2) x G screws** at each crossbeam and **(2) x G screws** at each bracket. *(10 screws total)*

Tool Required:  
Drill/Driver



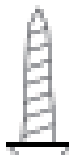
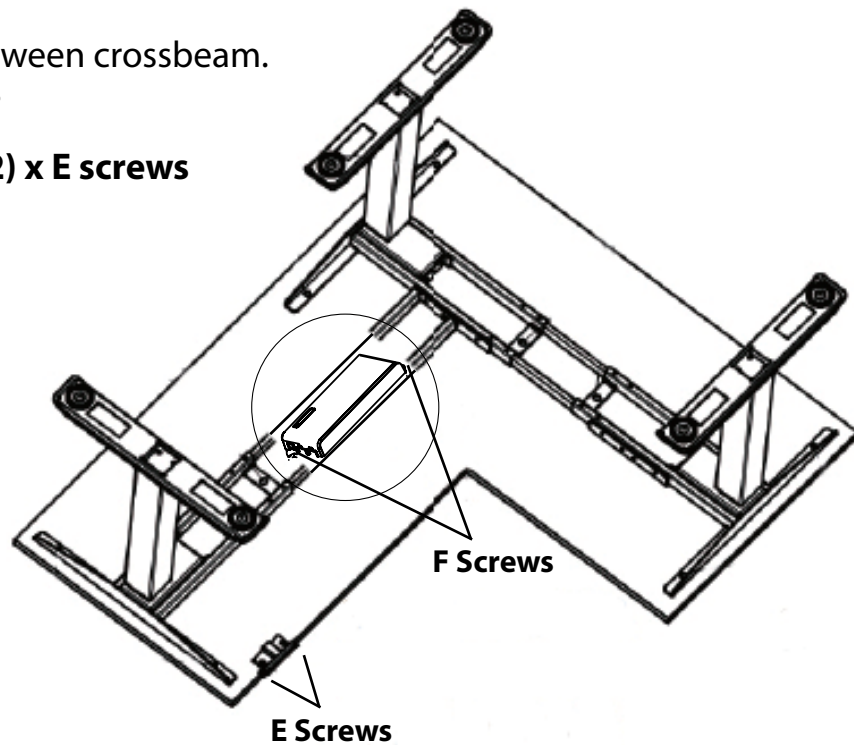
**G Screws**

### STEP 6:

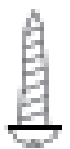
A. Place the control box between crossbeam. Attach using **(2) x D screws**

B. Attach controller using **(2) x E screws**

Tool Required:  
Drill/Driver



**E Screws**



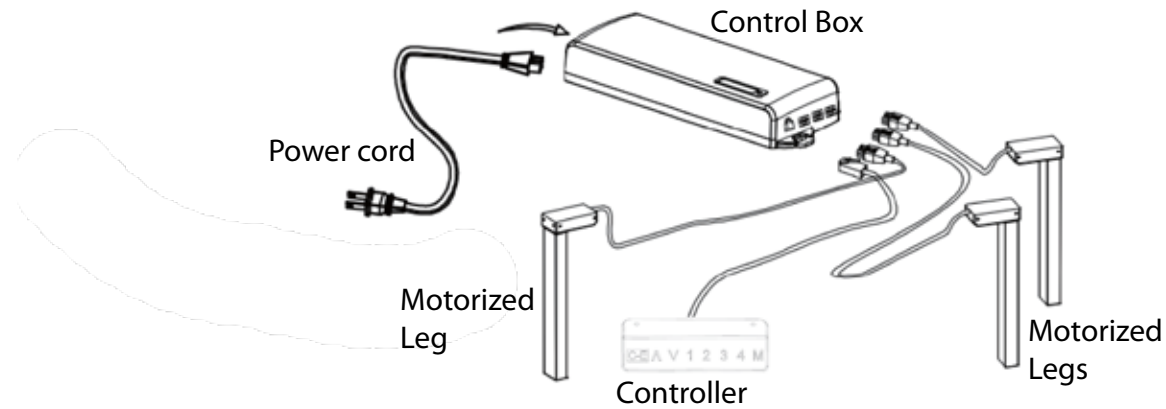
**F Screws**

## **STEP 7:**

Return desk to upright position.

Connect power cord, controller cable, and each of the motorized leg cables to the control box.

**Please see the steps for System Initialization on next page to complete set up.**



## **SYSTEM INITIALIZATION**

**After assembly of desk is complete, it is necessary to reset or initialize the motor system.**



### **STEP 1:**

Plug the power cord into an outlet or power strip. *(Display will flash)*

### **STEP 2:**

Press and **continue holding** both the **up** (^) and **down** (v) buttons simultaneously until the desk is at its lowest point, *the display will flash "000" followed by a beep and the display will then show the lowest height. (The buttons can now be released)*

### **NOTE:**

If initialization is interrupted by releasing buttons prematurely *(display will read "000")* and/or if desk does not begin moving, repeat step 2.

### **STEP 3:**

Press the **up** (^) button to raise the desk to the highest position. *(Now release the button)*

### **STEP 4:**

Press the **down** (v) button to lower the desk to the lowest position. *(Now release the button)*

*(The system has now been successfully initialized and synced)*

---

## **INSTALACION DE CONTROL DE MESA Y SINCRONIZACION**

**DESPUES DE COMPLETAR EL ENSAMBLAJE ES NECESARIO REINICIAR O INICIALIZAR EL SISTEMA DEL MOTOR, POFAVOR DE SEGUIR LOS SIGUIENTES PASOS:**

### **PASO 1:**

Conecte el cable de corriente en el enchufe. *(la pantalla va a prender)*

### **PASO 2:**

Presione los botones de (^) arriba y (v) abajo al mismo tiempo hasta que las patas de las columna esten en su punto mas bajo y continúe presionando los botones hasta que *la pantalla ensene "000". Luego sonara un pitido y la pantalla mostrara el numero de la medida mas baja, despues de haber echo esto suelta los botones.*

### **NOTA:**

Si la inicializacion se interrumpe al soltar los botones prematuramente la pantalla mostrara "000" o si no se mueve, repita el paso dos.

### **PASO 3:**

Presione el boton de arriba (^) para elevar la mesa ala posicion mas alta, despues he haber echo esto suelta el boton.

### **PASO 4:**

Presione el boton de abajo (v) para elevar la mesa ala posicion mas baja, despues he haber echo esto suelta el boton.

*(El sistema se ha inicializado y sincronizado con exito)*

# **HEIGHT ADJUSTABLE BASE** **OPERATION GUIDE**



## **METRIC OR IMPERIAL HEIGHT SETTING:**

**The controller can show either Metric (cm) or Imperial (in) height.**

### **STEP 1:**

Press the **(1)** **(2)** **(M)** buttons simultaneously for 5 seconds until "C-E" appears on the display.  
*Now Release the buttons.*

### **STEP 2:**

While the display is flashing, press the **(1)** button to show Metric height or press the **(2)** button for the Imperial mode. *(If (1) or (2) is NOT pressed after the display stops flashing, repeat from Step 1)*

*(The height setting is now complete.)*

## **SETTING THE MEMORY FUNCTION:**

### **STEP 1:**

Use the up (^) and down (v) buttons to reach the desired height of the desk.

### **STEP 2:**

Press and hold the **(M)** button until the display flashes, then press **(1)**  
*(Display will read "P1" and position 1 is now memorized.)*

*Follow the same procedure for memory preset 2, 3, and 4.*

*(Display will read "P2", "P3" and "P4" when the 2nd, 3rd and 4th positions have been memorized)*

*(Memorized positions will remain even if power is lost.)*

## **NORMAL OPERATION:**

Raise or lower the desk by pressing and holding the up (^) or down (v) button on the Controller until the desired height is reached.

**USB Function:** Connect desired USB compatible device to USB port to charge.

## **NOTES:**

\*Keep base away from water and corrosion-resistant gas.

\*Use this base with actual technical parameters.

\*Please contact Office Furniture Distributors with any problems or issues at:  
cs@ofdist.com or 972-386-5200/Toll Free: 866-648-3635