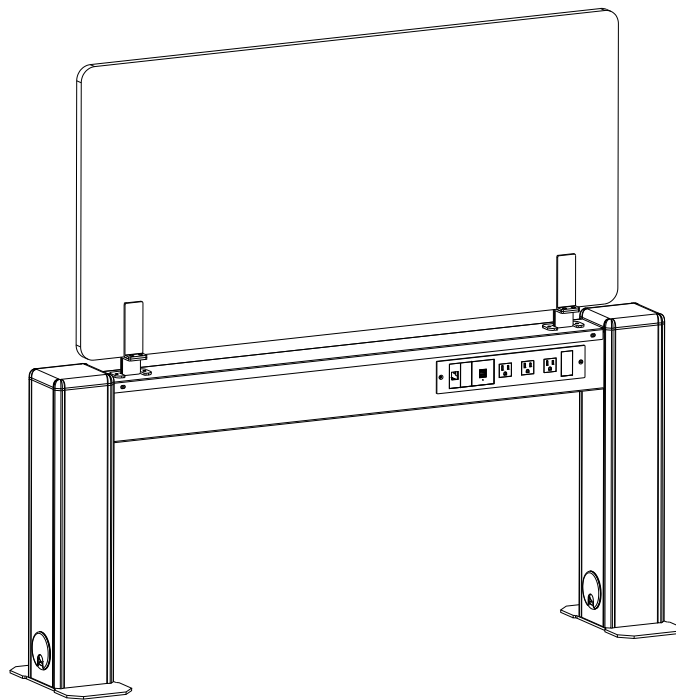
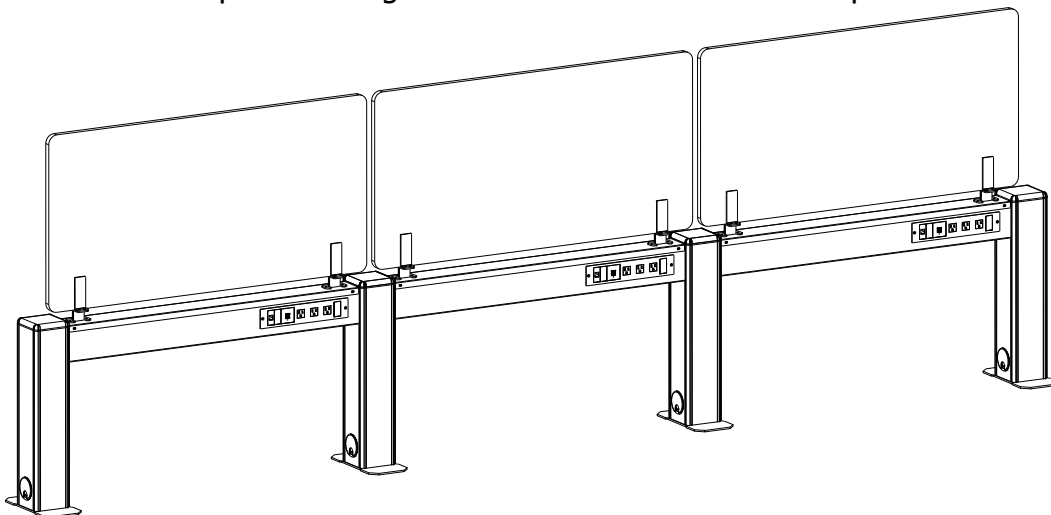


Assembly and operation instructions

Power It
Power Beam, Fixed Elevated Power Trough
for 48" Benching
OFD-PBEAM43
OFD-BEAMENDLEG
OFD-BEAMSHAREDLEG



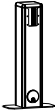
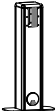

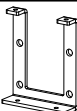
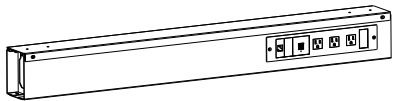




Option 1: Single Power Beam for 48" Table Top



Option 2: Power Beam Stations for 48" Table Tops

- REFERENCE GUIDE -

Reference	Type	Qty	Ex.
PIECES			
A	M8*20 Screw	8	
B	M6*10 Screw	24	
PARTS			
L1	Beam End Leg (OFD-BEAMENDLEG)	2	
L2	Beam Shared Leg (OFD-BEAMSHAREDLEG)	1/N-1	
C	Screen Mount	2	
S	Beam Connector	2	
D	Fixed Elevated Power Trough	1	
TOOLS			
	4mm Allen Key	1	
	5mm Allen Key	1	
	Drill / Driver		

- ASSEMBLY GUIDE -

1

Option 1

Single Power Beam Assembly(2 L1 + 1 D)

Attach a foot to each L1 Leg with four M8*20 screws.

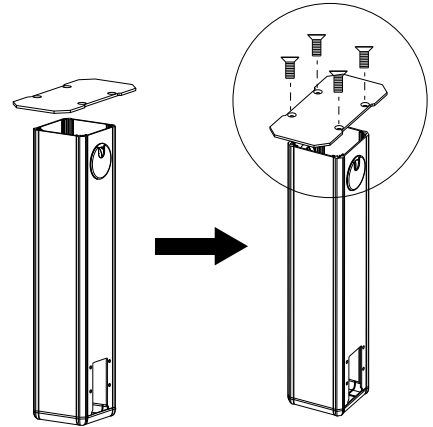
Option 2

Fixed Power Beam N Stations(2 L1 + (N-1) D)

Attach a foot to each L1 Leg with four M8*20 screws, same as L2 leg with foot of four M8*20 screws.

Tool required:

5mm allen key



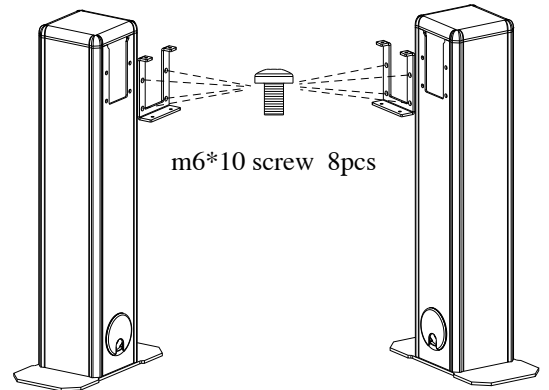
2

Turn the leg upright.

Attach each L1 or L2 leg with S beam connectors with four M6*10 screws per leg.

Tool required:

4mm allen key

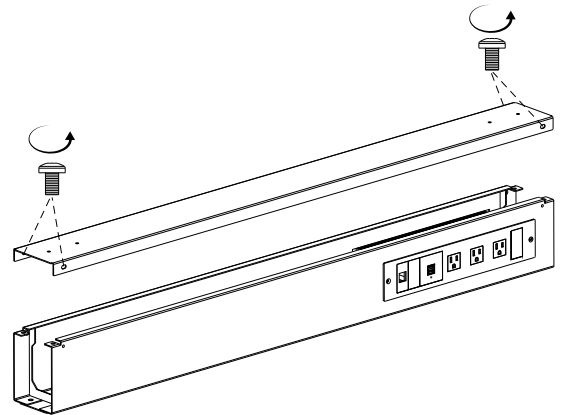


3

Use 4mm Allen Key to loosen four pre-installed M6*10 screws on the trough long cover.

Tool required:

4mm allen key

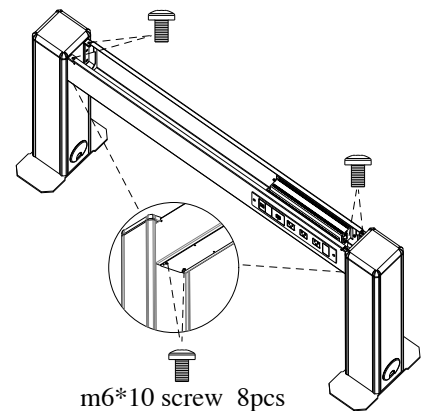


4

Attach each leg connector to trough end with four M6*10 screws.

Tool required:

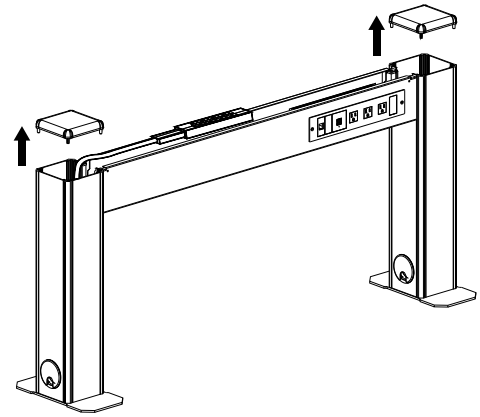
4mm allen key



5

Open the leg covers and put power block and jump cables inside.

1. Pull leg covers up and off End Leg and/or Shared Leg.
2. Take Power Block, remove Velcro backing, and place in center bottom of beam trough.
3. Plug in Base in Feed to the power block. Note arrow on base in feed plug head pointing up. Power Block is upright when reading receptacles 1-4 from left to right(see image).
4. If ganging more than one beam, use jumper cable plug the same way, and connect the jumper to the next power block, running the cable through the trough and shared leg, and plug in.
5. If installing voice/data cables, route the cables through the trough.
6. Plug power cords from each side of the trough receptacles into the Power Block.
7. Once all Power Blocks and jumpers are installed, and both trough receptacle plugs are plugged into the Power Block, go to next step.



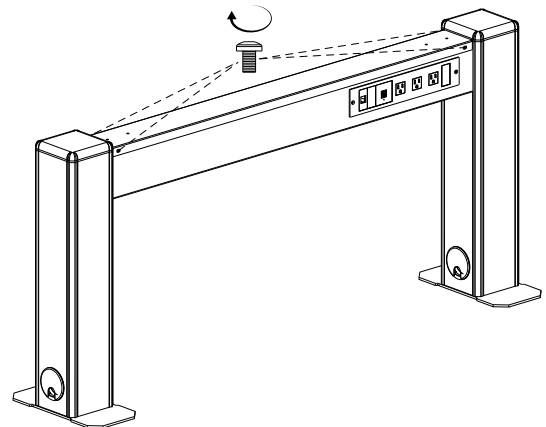
Note Arrow Pointing up on Base in Feed and Jumper Cable Plugs

6

Put leg covers back and attach long cover back with four M6*10 screws.

Tool required:

4mm allen key

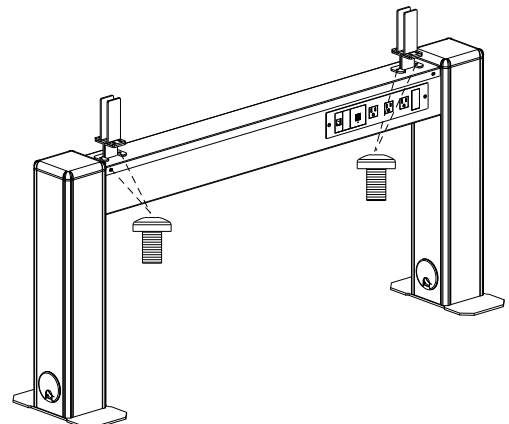


7

Attach two screen mounts C on each trough covers with four M6*10 screws in total.

Tool required:

4mm allen key

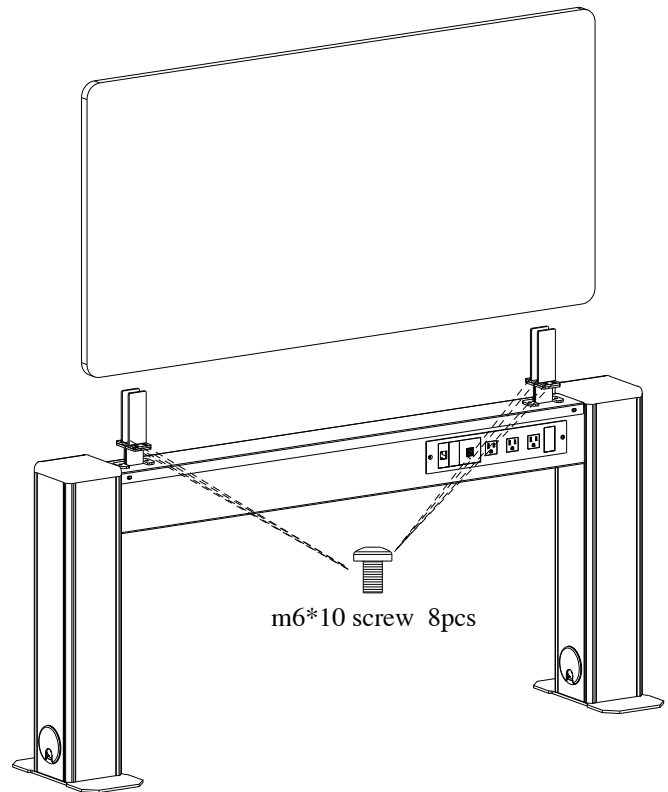


8

Loosen four M6*10 screws on each C screen mount, put screen into C mount and tighten all screws.

Tool required:

4mm allen key



Option 2

Fixed Power Beam N Stations(2 L1 + (N-1) D)

Repeat above steps to connect one by one. (Remind N means power beam quantity)

