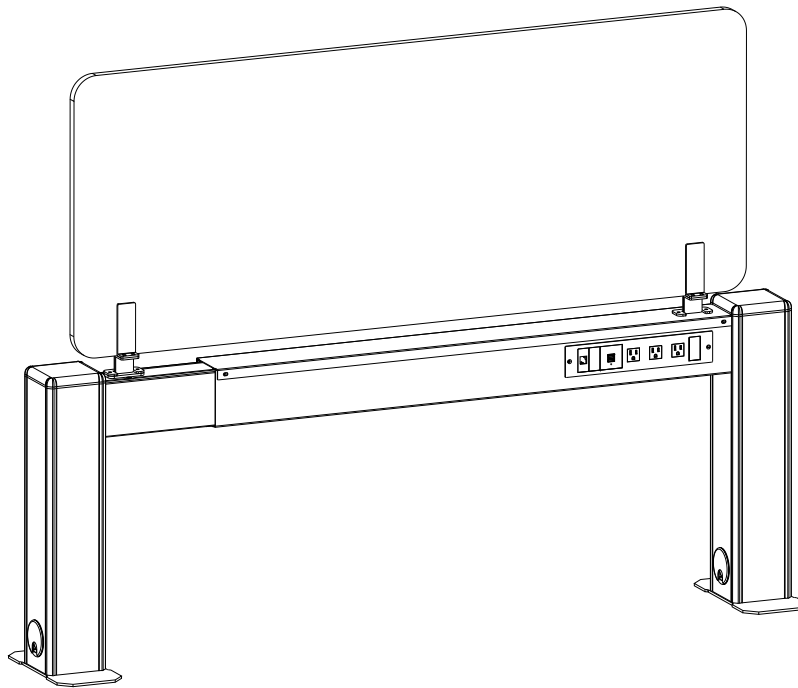
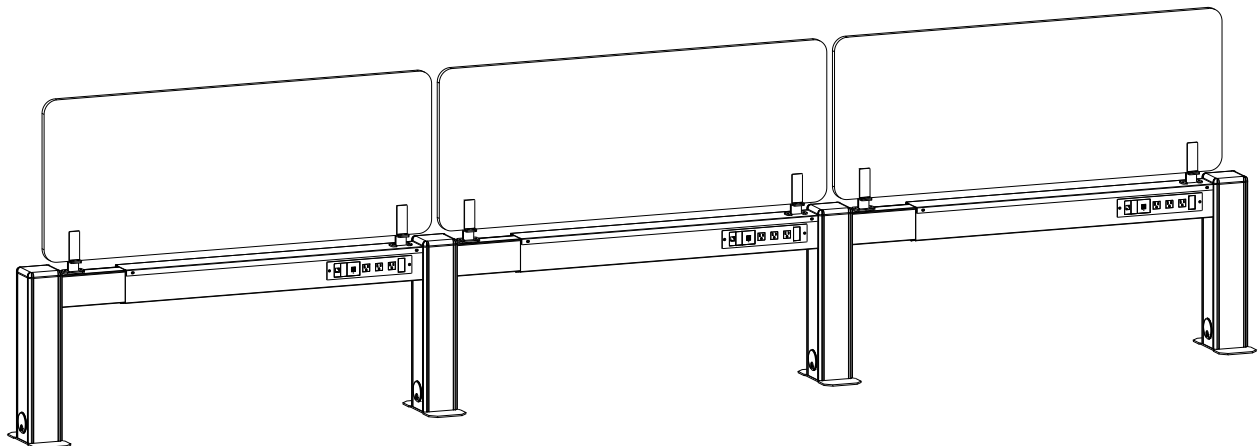


Assembly and operation instructions

Power It
Power Beam, Adjustable Elevated Power Trough
for 60" - 72" Benching Stations
OFD-PBEAM6072
OFD-BEAMENDLEG
OFD-BEAMSHAREDLEG



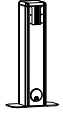
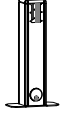

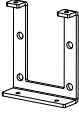
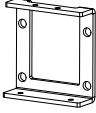





Option 1: Single Adjustable Power Beam for 60"-72" Table Top



Option 2: Adjustable Power Beam Stations for 60"-72" Table Tops

- REFERENCE GUIDE -

Reference	Type	Qty	Ex.
PIECES			
A	M8*20 Screw	8	
B	M6*10 Screw	20	
PARTS			
L1	Beam End Leg (OFD-BEAMENDLEG)	2	
L2	Beam Shared Leg (OFD-BEAMSHAREDLEG)	1/N-1	
C	Screen Mount	2	
S	Small Beam Connector	1	
L	Large Beam Connector	1	
D	Asjustable Elevated Power Trough	1	
TOOLS			
	4mm Allen Key	1	
	5mm Allen Key	1	
	Drill / Driver		

- ASSEMBLY GUIDE -

1

Option 1

Single Power Beam Assembly(2 L1 + 1 D)

Attach a foot to each L1 Leg with four M8*20 screws.

Option 2

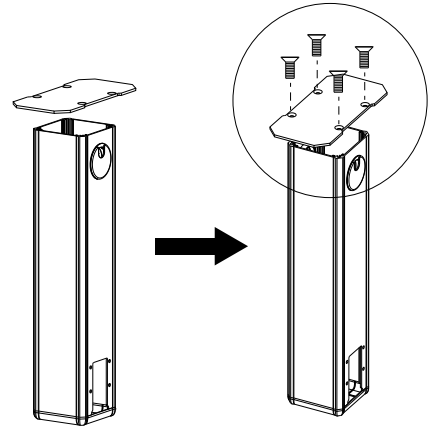
Adjustable Power Beam N Stations(2 L1 + (N-1) D)

Attach a foot to each L1 Leg with four M8*20 screws, same as L2 leg with foot of four M8*20 screws.

Tool required:



5mm allen key



2

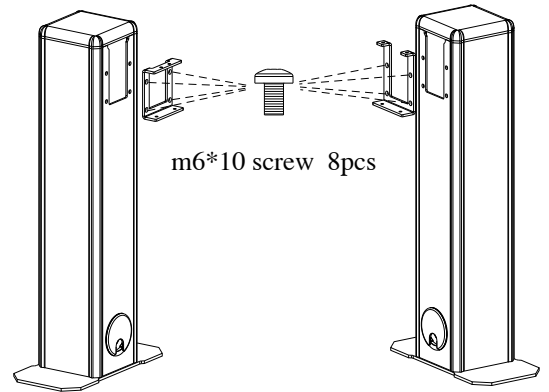
Turn the leg upright.

Attach each L1 or L2 leg with S/L beam connectors with four M6*10 screws per leg.

Tool required:



4mm allen key



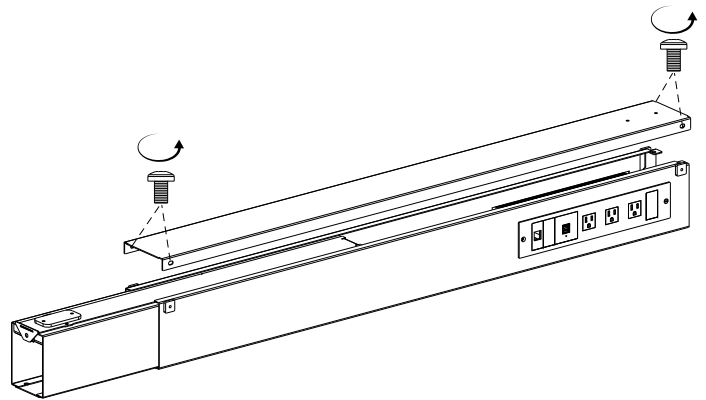
3

Use 4mm Allen Key to loosen four pre-installed M6*10 screws on the trough long cover.

Tool required:



4mm allen key



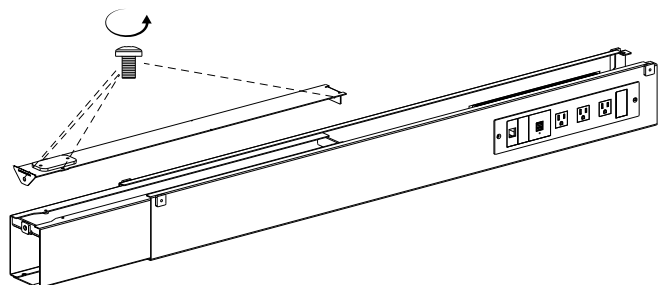
4

Use 4mm Allen Key to loosen four pre-installed M6*10 screws on the trough short cover.

Tool required:



4mm allen key

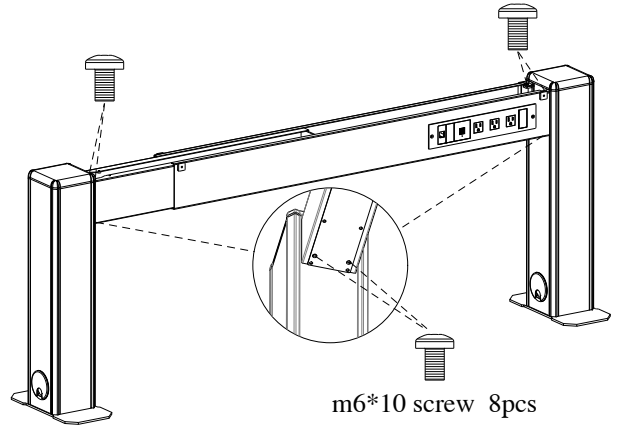


5

Attach leg small connector L to trough end L with four M6*10 screws. The same way to attach leg large connector L to trough end L with four M6*10 screws.

Tool required:

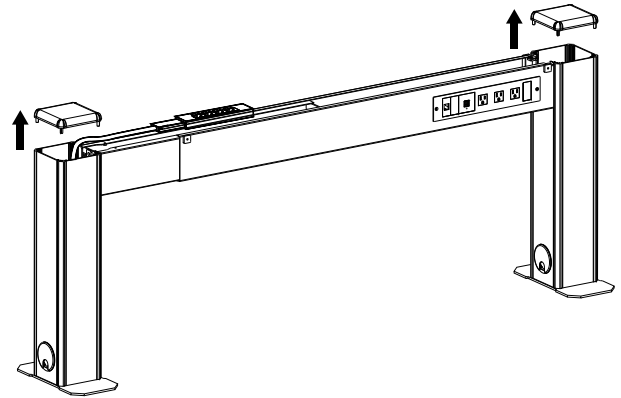
4mm allen key



6

Open the leg covers and put power block and jump cables inside.

1. Pull leg covers up and off End Leg and/or Shared Leg.
2. Take Power Block, remove Velcro backing, and place in center bottom of beam trough.
3. Plug in Base in Feed to the power block. Note arrow on base in feed plug head pointing up. Power Block is upright when reading receptacles 1-4 from left to right(see image).
4. If ganging more than one beam, use jumper cable plug the same way, and connect the jumper to the next power block, running the cable through the trough and shared leg, and plug in.
5. If installing voice/data cables, route the cables through the trough.
6. Plug power cords from each side of the trough receptacles into the Power Block.
7. Once all Power Blocks and jumpers are installed, and both trough receptacle plugs are plugged into the Power Block, go to next step.



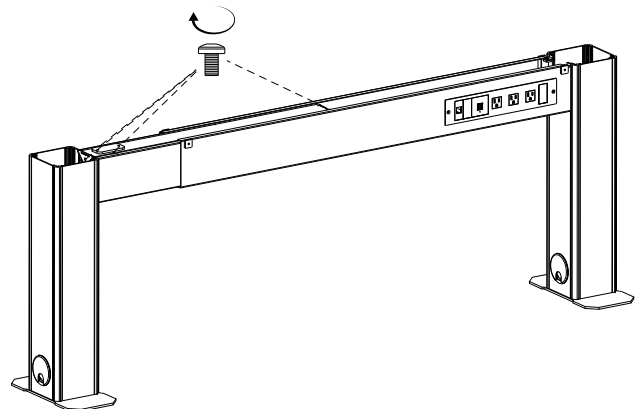
Note Arrow Pointing up on Base in Feed and Jumper Cable Plugs

7

Put back the bottom cover and attached it to the trough with four M6*10 screws.

Tool required:

4mm allen key

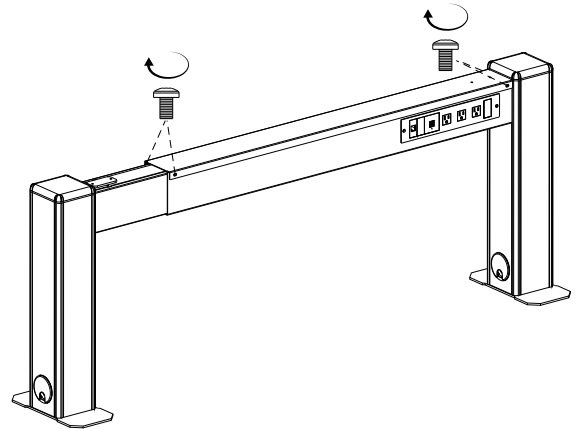


8

Put leg covers back and attach long cover back with four M6*10 screws.

Tool required:

4mm allen key

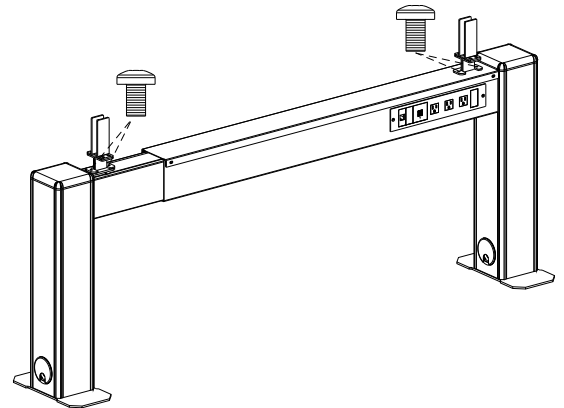


9

Attach two screen mounts C on each trough covers with four M6*10 screws in total.

Tool required:

4mm allen key



10

Loosen trough bottom four M6*10 screws to adjust trough length to meet different table top size requirements.

A: 60" Top length ,adjust beam to minimum trough size.

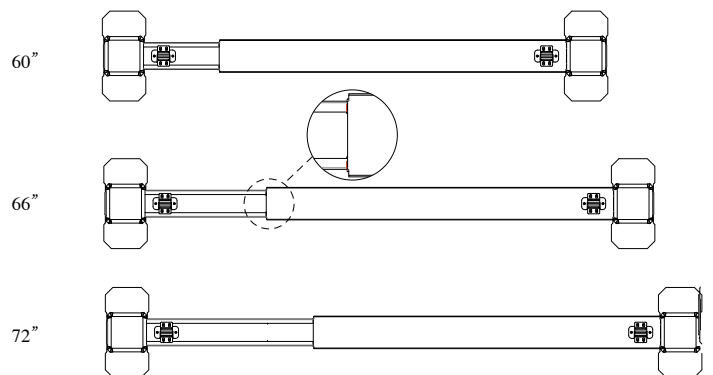
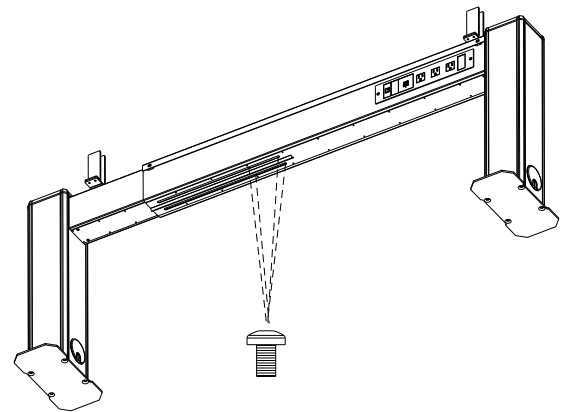
B: 66" Top length ,adjust beam to the mark trough size.

C: 72" Top length ,adjust beam to the maximum trough size.

At last,tighten four M6*10 screws under trough bottom.

Tool required:

4mm allen key

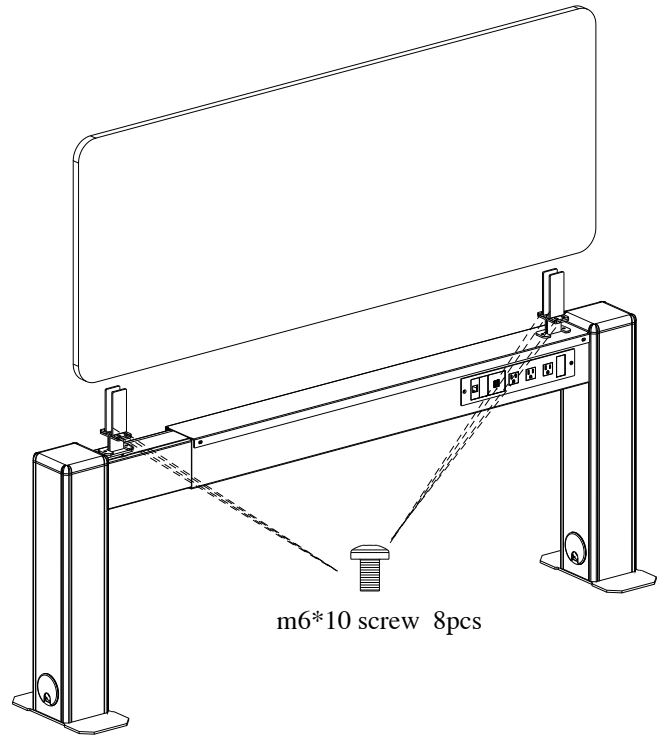


11

Loosen four M6*10 screws on each C screen mount, put screen into C mount and tighten all screws.

Tool required:

4mm allen key



Option 2

Adjustable Power Beam N Stations(2 L1 + (N-1) D)

Repeat above steps to connect one by one. (Remind N means power beam quantity)

