

Sofa

OFD903-BLK

OFD903-GRY

Limited Lifetime Warranty Information

All Office Furniture Distributors chairs are built to meet or exceed ANSI and BIFMA standards. These products are warranted from the original purchase date and to the original purchaser for normal commercial usage, defined by a standard forty- hour work week. The warranty does not cover cosmetic damage that may result from normal use.

Upholstered Seating:

- Lifetime on all non-moving components
- 5 years on mechanisms, arms, cylinder and casters
- 3 years on foam
- 3 years on upholstery

Motion Seating:

- Lifetime on all non-moving components
- 3 years on mechanisms and cylinders
- 3 years on foam
- 3 years on upholstery

Wood Seating:

- 5 years on structural integrity of frame
- 3 years on seating wood finishes against wear and deterioration
- 3 years on upholstery
- Leather is not warranted against routine scratching and scuffing, as leather is subject to minor blemishes in use. Minor variations in color, texture and grain are a natural part of leather hides, and therefore, are not covered by this warranty

These warranties give you specific legal rights, and you may also have other rights which vary from state to state. This warranty does not apply to products used for rental purpose.

Office Furniture Distributors

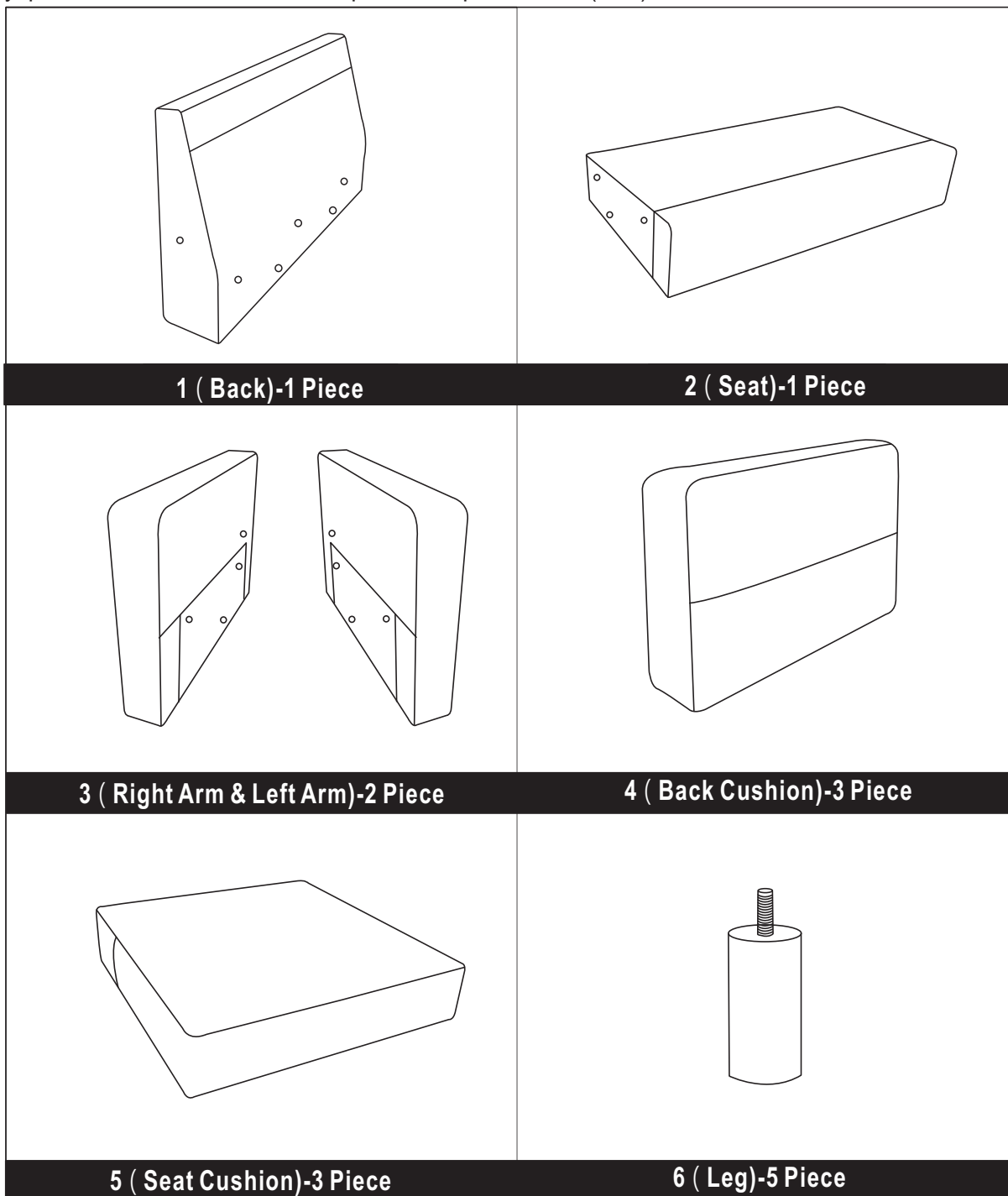
2901 Trade Center Dr. Suite 100 Carrollton, TX 75007

Customer Service: 866-648-3635

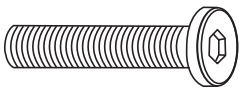

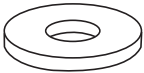

www.ofdist.com

Assembly Instructions - Important:

Carefully unpack and identify each component before assembling. Refer to parts list. Please be careful when assembling the unit and always set the parts on a clean, soft surface. If you require any assistance with assembly, parts or information on other products, please call (866) 648-3635.

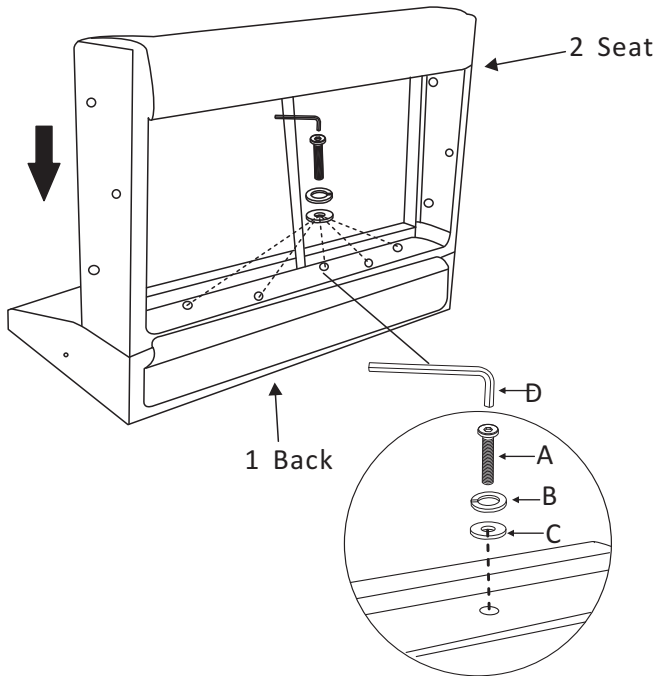


HARDWARE LIST

A		BOLT	13PCS
B		LOCK WASHER	13 PCS
C		FLAT WASHER	13 PCS
D		ALLEN WRENCH	1 PC

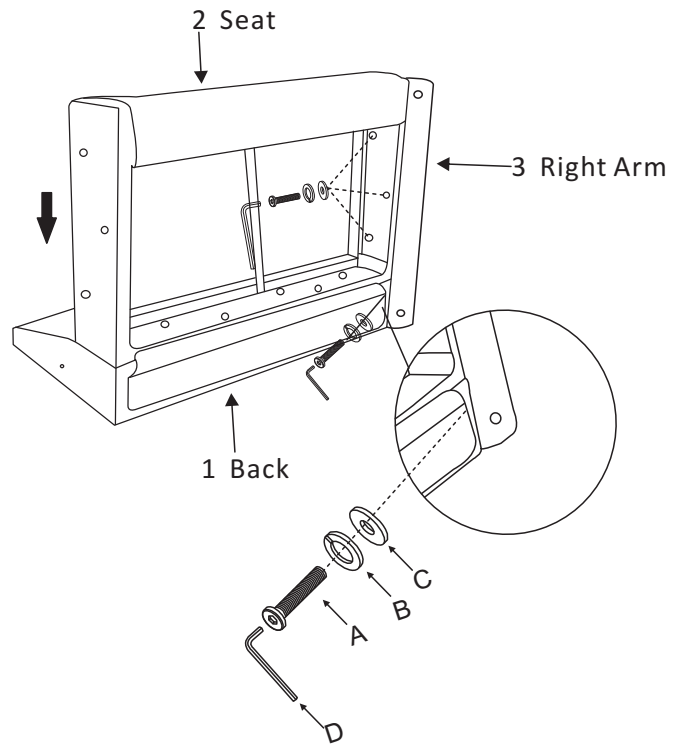
Step 1

Lay the seat back cushion on the assembly surface. Place the seat bottom at a 90 degree angle. Align holes and attach both sections together using screw A and washers B&C.



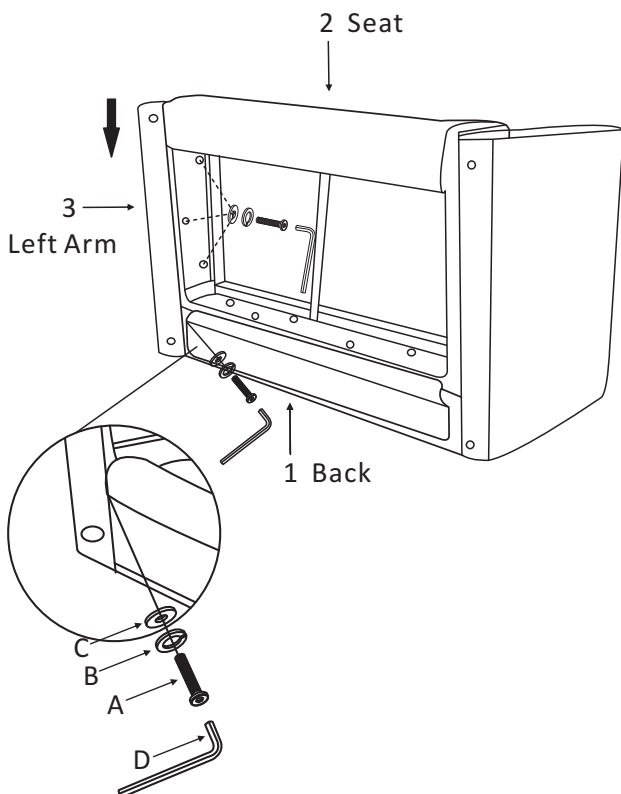
Step 2

Align the right arm and attach using screw A and washers B&C



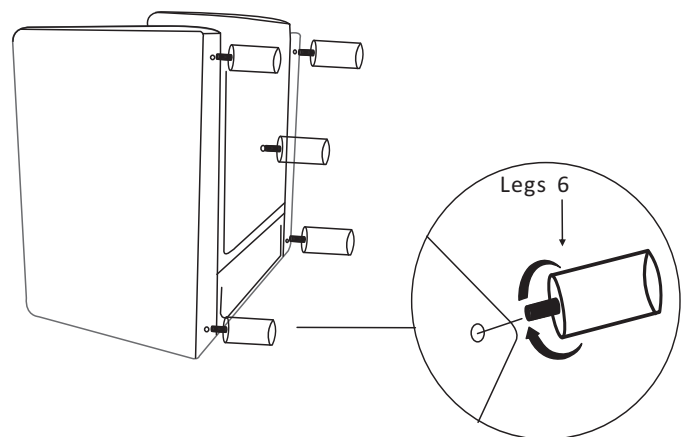
Step 3

Align the left arm and attach using screw A and washers B&C



Step 4

Turn each leg clockwise until it is tight and secure



Step 5

Place seat and back cushions on to the chair

