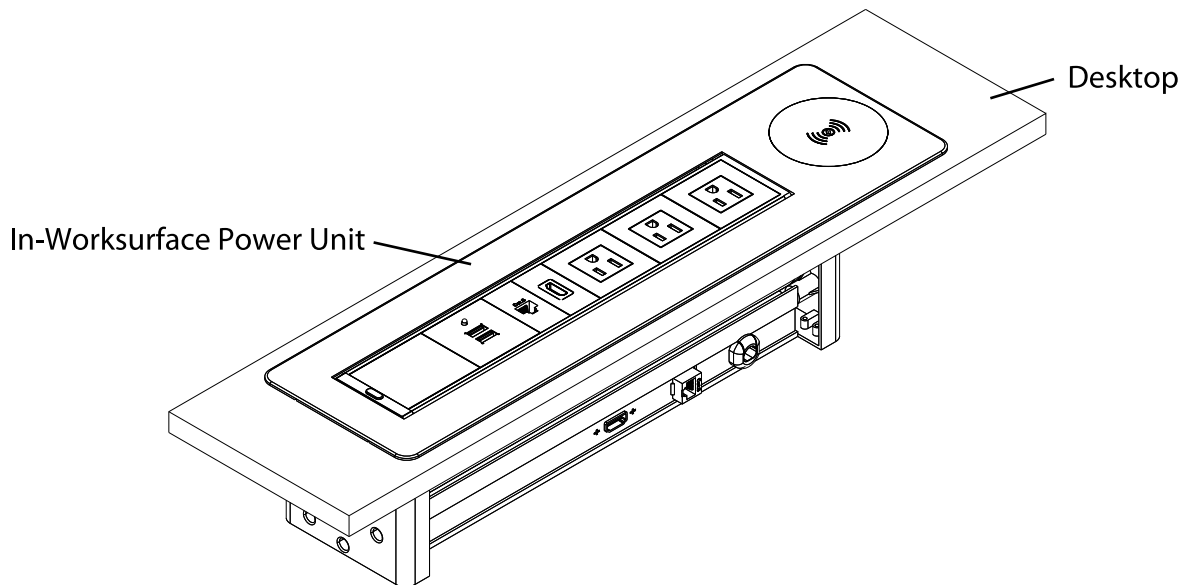





Assembly and Operation Instructions

In-Worksurface Power Unit

OFDTABLEPOWER-BS



COMPONENTS AND TOOLS

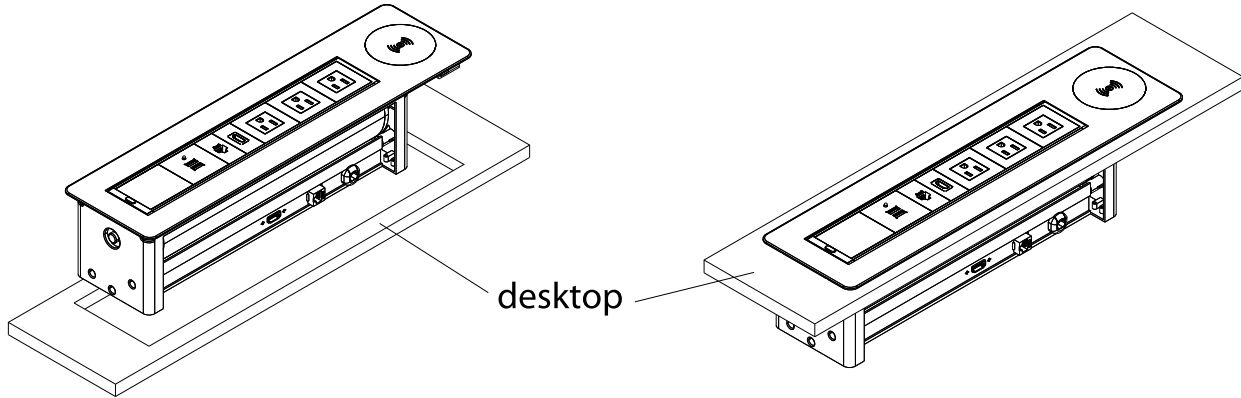
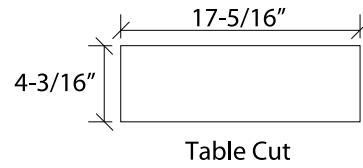
REFERENCE	TYPE	QUANTITY	ITEM
<u>PIECES</u>			
A	Screw	6	
B	Self-tapping Screw	2	
<u>PARTS</u>			
	Power Fixed Part	1	
	Desk Fixed Part	2	
	Worksurface Power	1	
Drill/Driver		Not Included	

OFDTABLEPOWER			
In-Worksurface Power Unit with 3Plugs,2USB,1HDMI,and 1RJ45 with Wireless Charger			
Input/Output	AC125V 12A 1500W	Wireless Charging	5V 1A
USB Charging	DC 5V 2.1A (Max total 2.1A When 2 USB ports are used at the same time)	HDMI	Support 3840*2160 30Hz Video Transmission
Power Socket	UL,CUL:E475638	Power Supply Cord	UL:E345203、 E349270
Wireless Charging	CE:160321066GZU ; ETL:160321059GZU-001		UL:E495345、 E162604
Safety	Pressure Resistance	3seconds,2000V	Scene -50°F+104°F, midity<60%
Rest	Cut-Size	17.3"*4.17"	
	Fittings	Mounting Bracket	
Remarks	Ensure the ground circuit is connected before use.		Made in China
	Install according to instruction.		

ASSEMBLY INSTRUCTIONS

STEP 1:

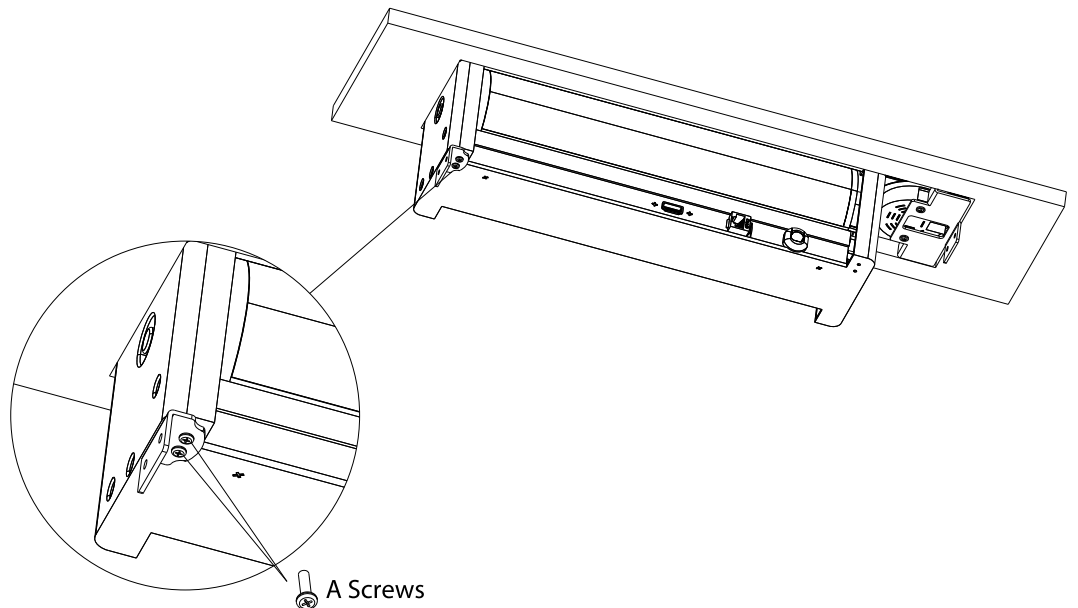
Place the power on the desktop hole vertically, keep panel is attached to the desktop.



STEP 2:

Attach the bottom on the left end cover using 2 screws.

Tool Required:
Drill/Driver



A Screws

STEP 3:

Attach the power fixed part to the desk fixed part using 2 A screws, place the desk fixed part to bottom of desktop and lock the screw, attach the fixed part to desktop using 1 B screw.

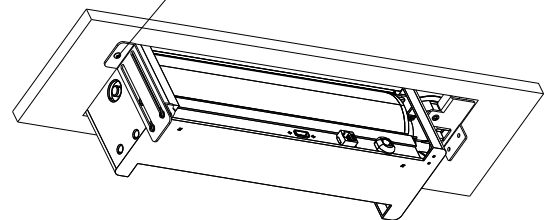
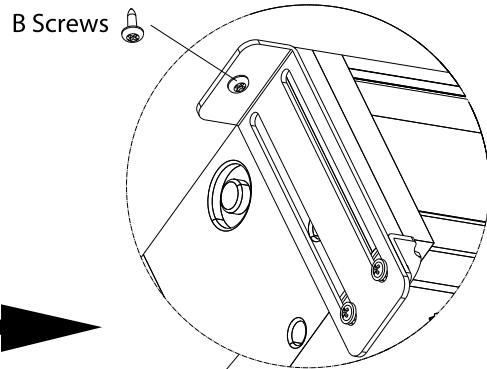
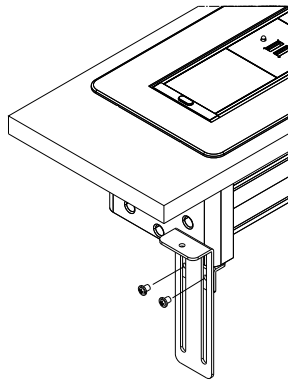
Tool Required:
Drill/Driver



A Screws



B Screws



STEP 4:

Attach the desk fixed part to wireless charging bracket using 2 A screws, place the desk fixed part to bottom of desk and lock the screw, attach the desktop to desk fixed part using 1 B screw.

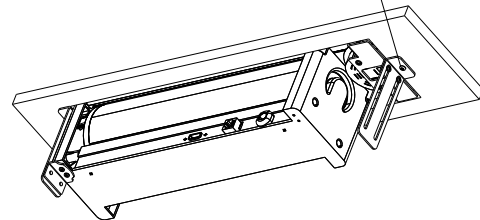
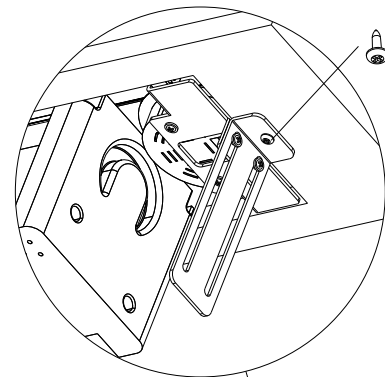
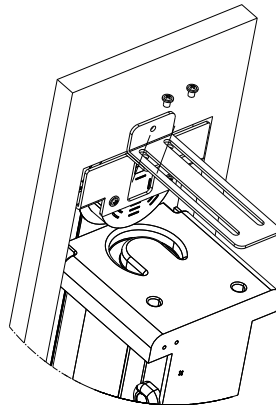
Tool Required:
Drill/Driver



A Screws



B Screws



NOTES:

- *Keep base away from water and corrosion-resistant gas.
- *Use this base with actual technical parameters.
- *Please contact Office Furniture Distributors with any problems or issues at: cs@ofdist.com or 972-386-5200/Toll Free: 866-648-3635