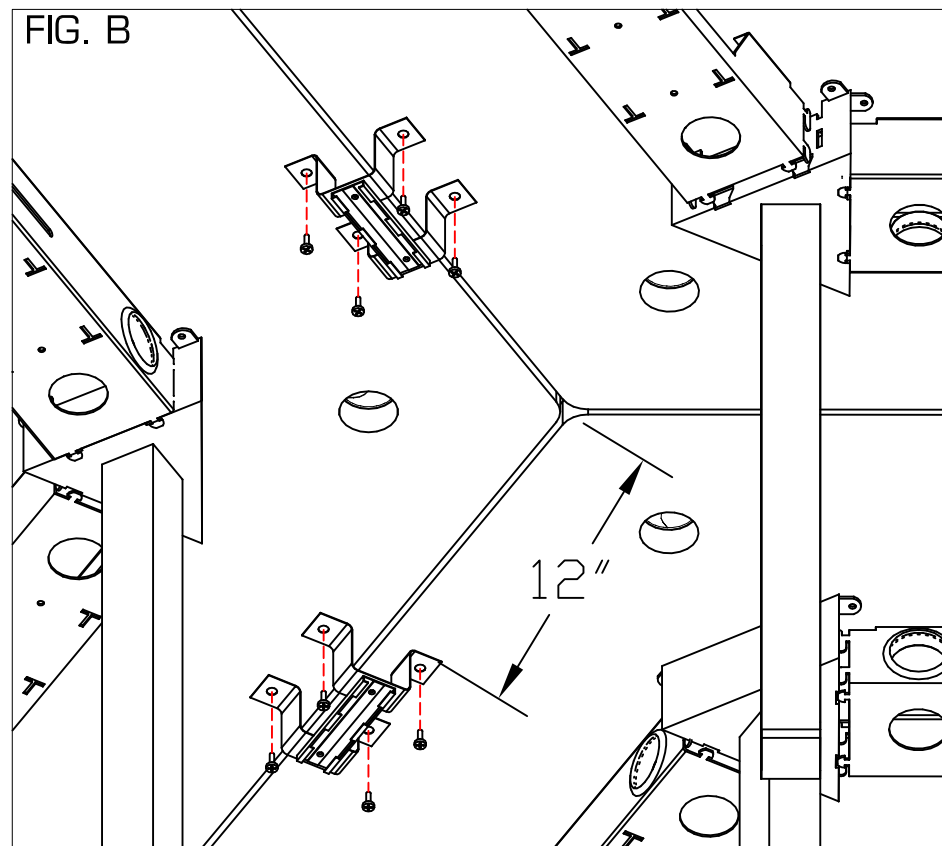
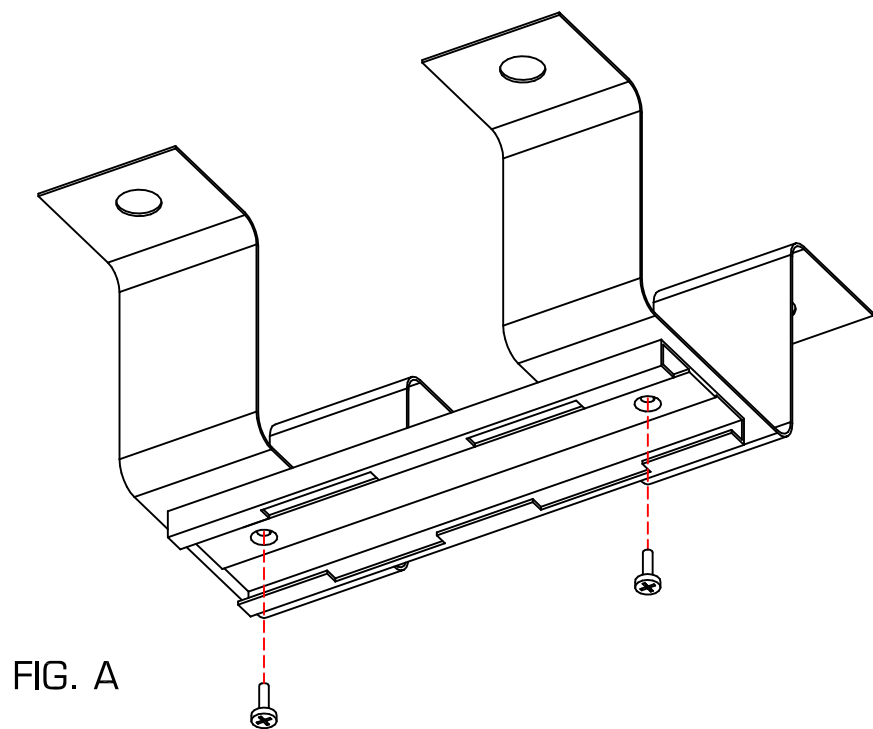


# POWER IT 120 DEGREE / 3-POD

1. ATTACH CIBLOCK PLATE TO U-SHAPE BRACKETS USING PROVIDED HARDWARE. (SEE FIG. A)
2. ATTACH COMPLETED PLATE ASSEMBLY UNDERNEATH WORKSURFACES USING PROVIDED HARDWARE. (SEE FIG. B)



3. INSERT CIBLOCK INTO BLOCK PLATE AND SLIDE RIGHT OR LEFT UNTIL IT SNAPS INTO PLACE AS SHOWN IN FIG. A.

4. ROUTE BASE IN-FEED AND JUMPER AS SHOWN IN FIG. B.

