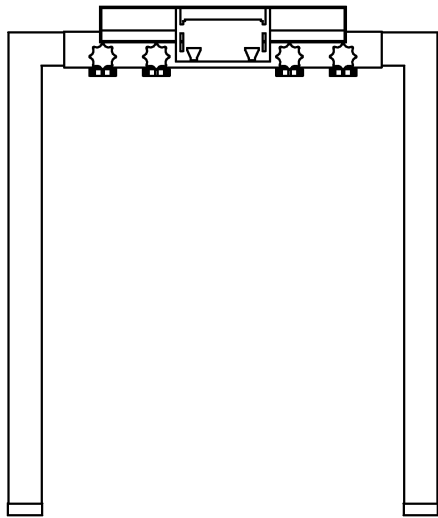


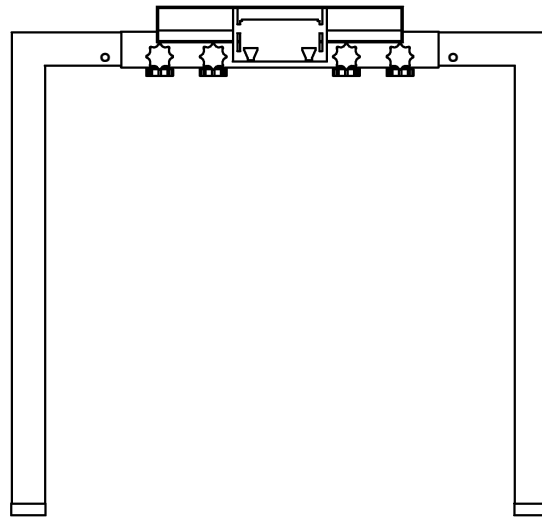
# TRAINING TABLE USING BENCH IT LEGS

---

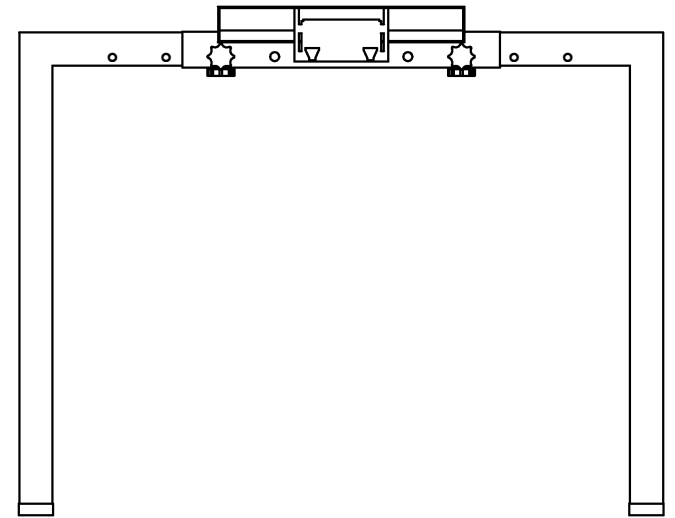
1. REFER TO WIDTH OF TOP ORDERED AND ADJUST LEGS AS SHOWN BELOW.



24" WORKSURFACE



30" WORKSURFACE



36" WORKSURFACE

2. INSERT ADJUSTABLE TROUGH INTO LEGS AS SHOWN. (FIG. A)  
MALLETT MIGHT BE REQUIRED TO SEAT TROUGH INTO LEGS.

3. ATTACH RETAINING PLATE USING HARDWARE PROVIDED.  
SEE FIG. B.

4. PLACE WORKSURFACES UPSIDE DOWN ON BLANKET.  
PLACE COMPLETED LEG ASSEMBLY ONTO WORKSURFACE  
AS SHOWN BELOW, SECURE USING HARDWARE PROVIDED.

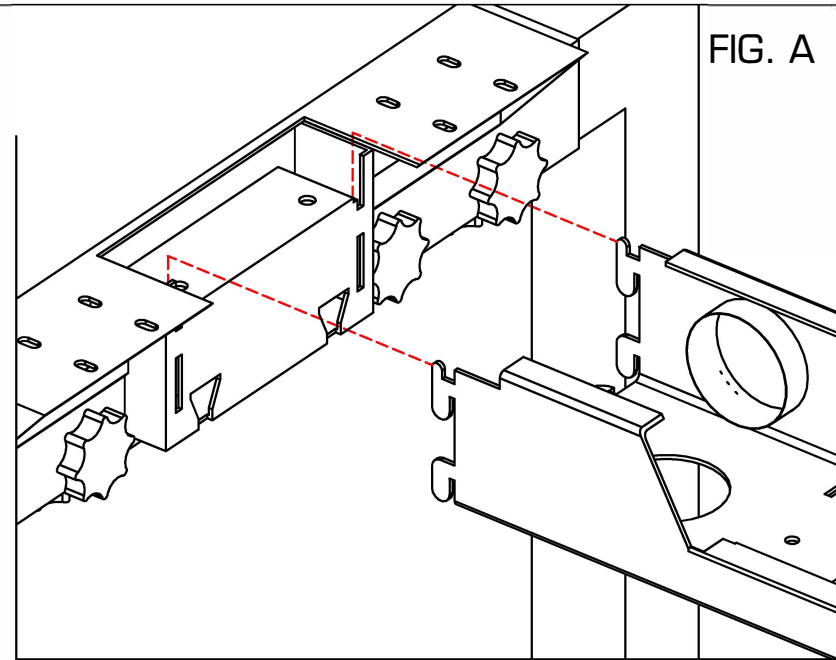


FIG. A

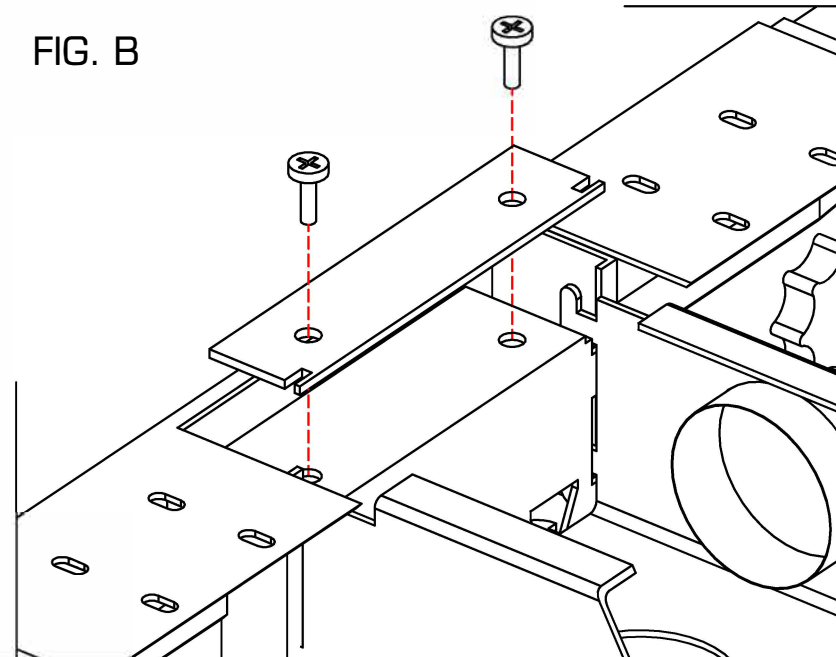
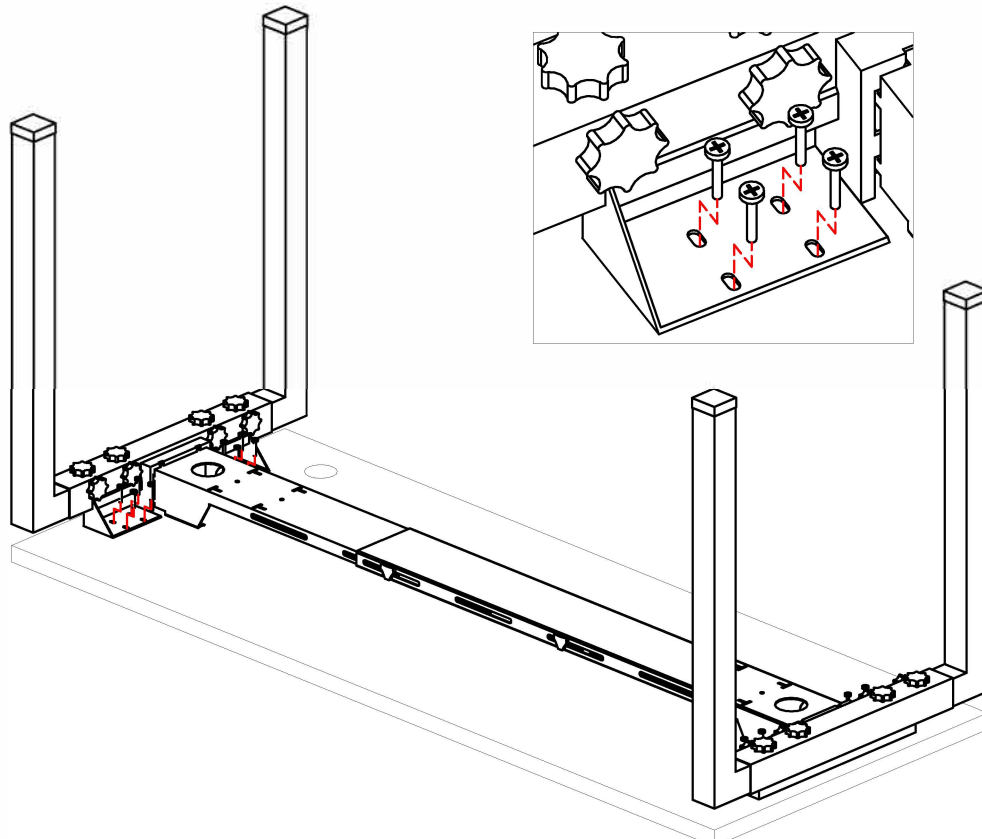


FIG. B