

TRAINING TABLE USING POST-LEGS

1. FLIP WORKSURFACE OVER AND PLACE ON BLANKET TO AVOID DAMAGE.
2. ATTACH POST-LEGS TO LEFT AND RIGHT SIDE USING HARDWARE PROVIDED. REFER TO FIG. A.
3. TABLES 60" OR LONGER REQUIRE A STIFFNER BAR, ATTACH AS SHOWN IN FIG. B.

FIG. A

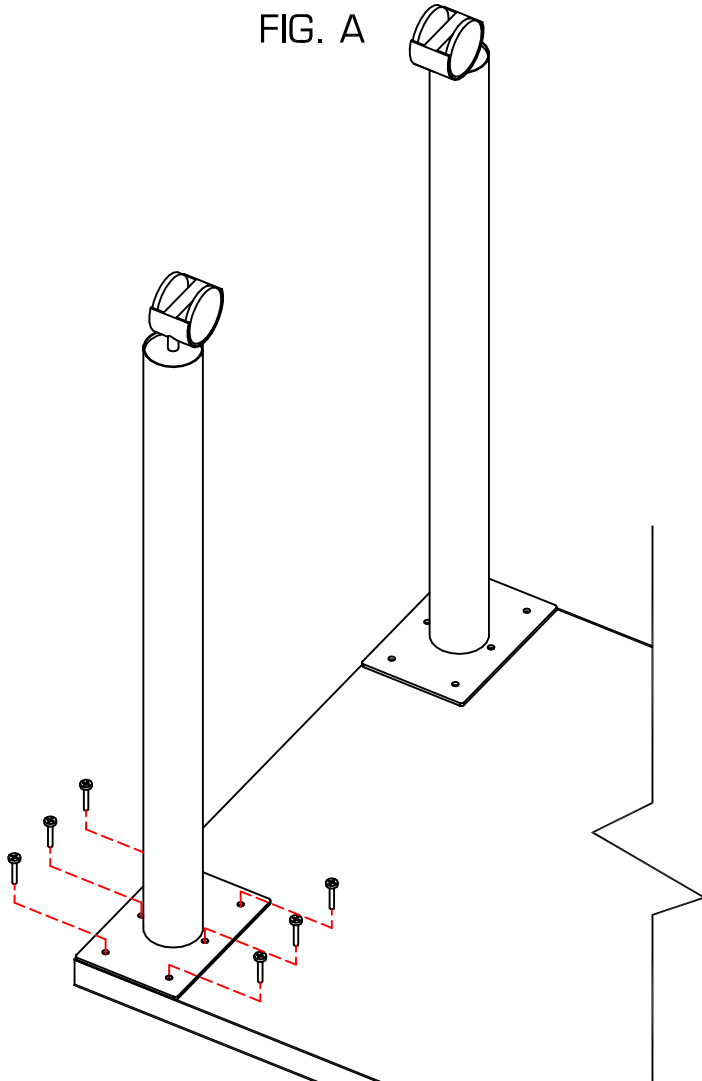


FIG. B

