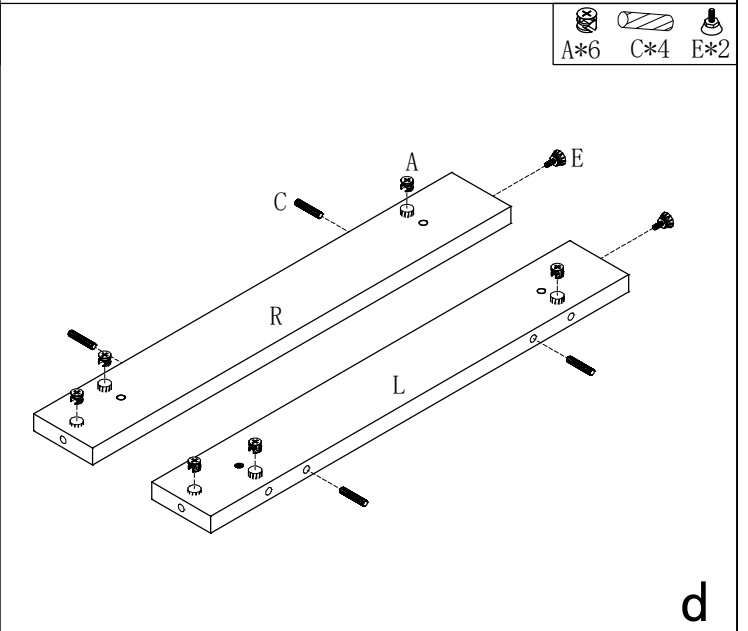
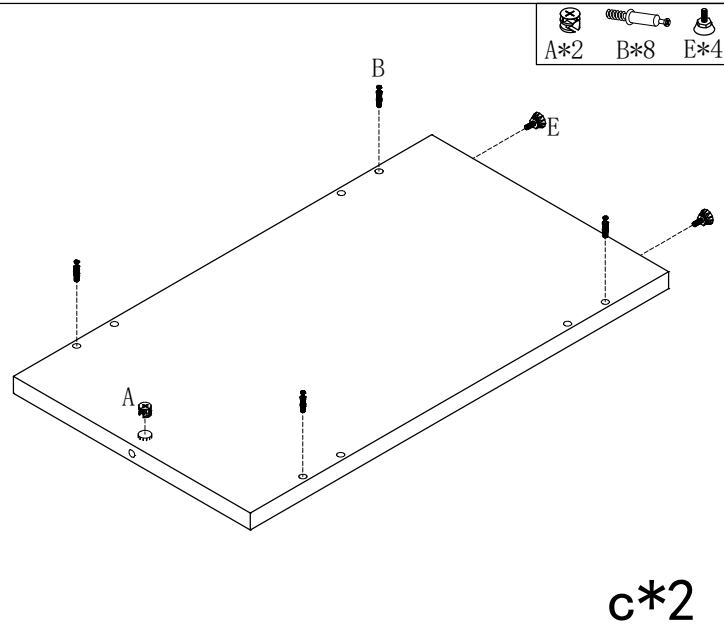
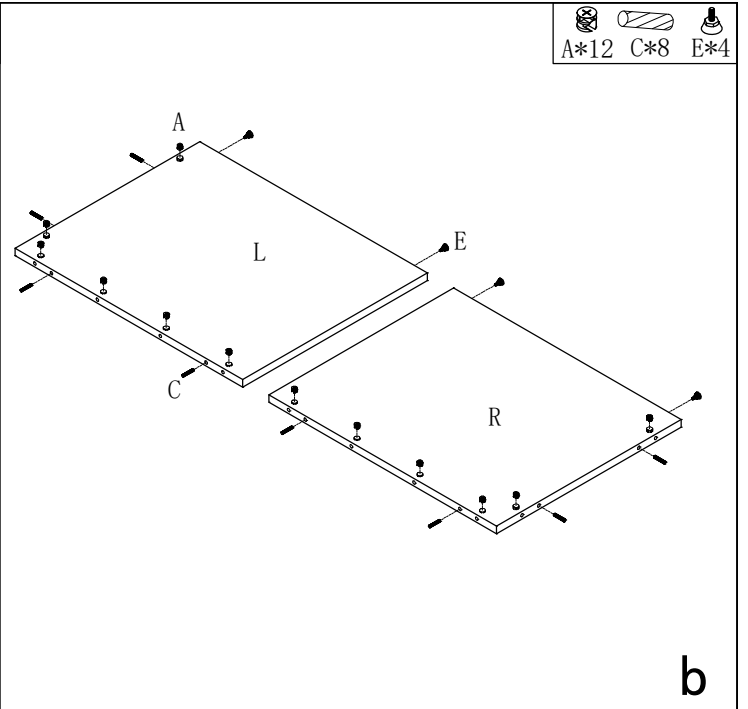
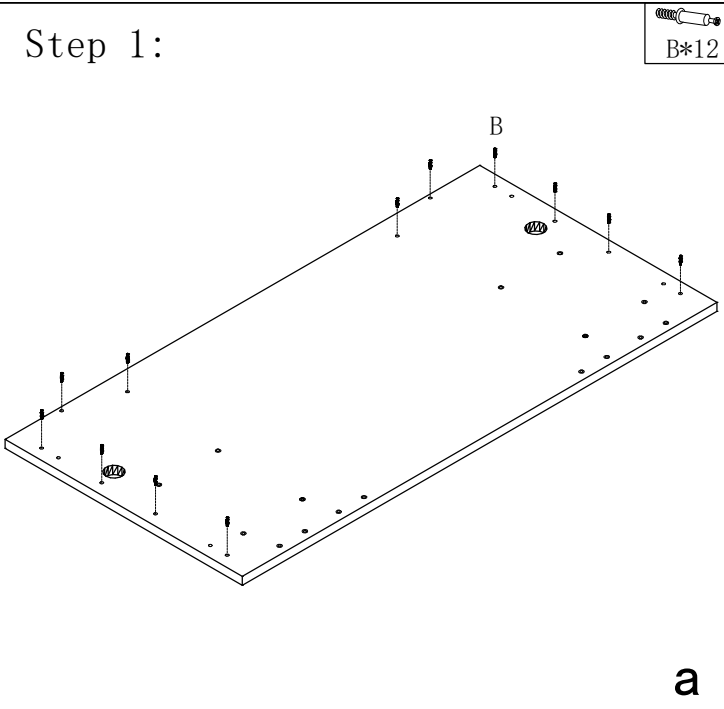
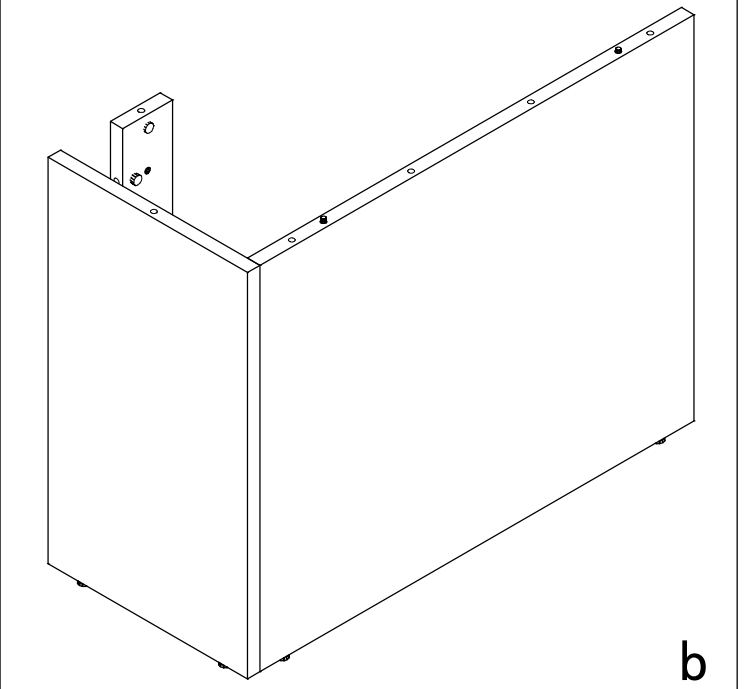
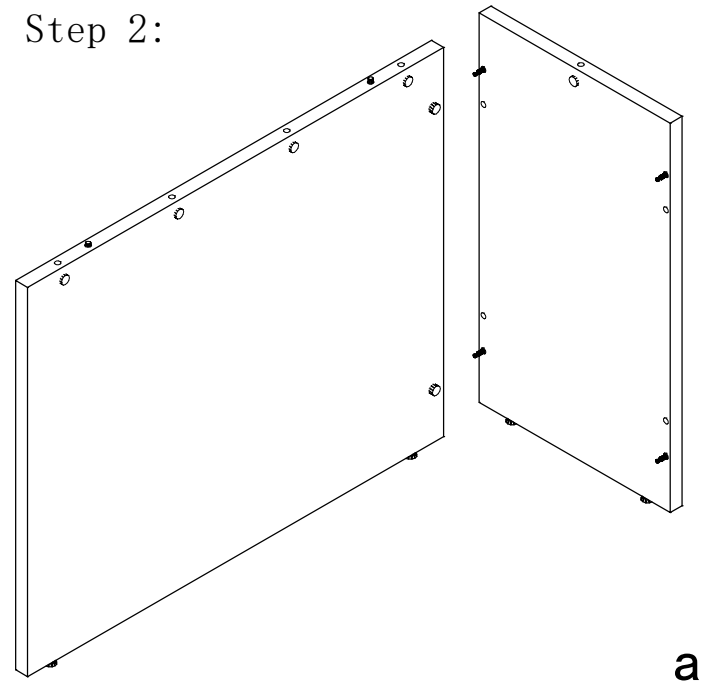
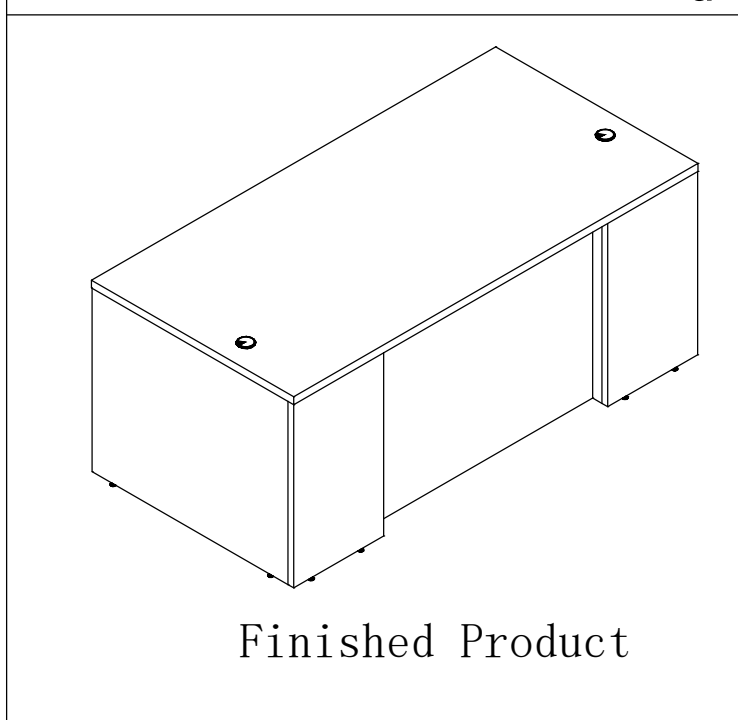
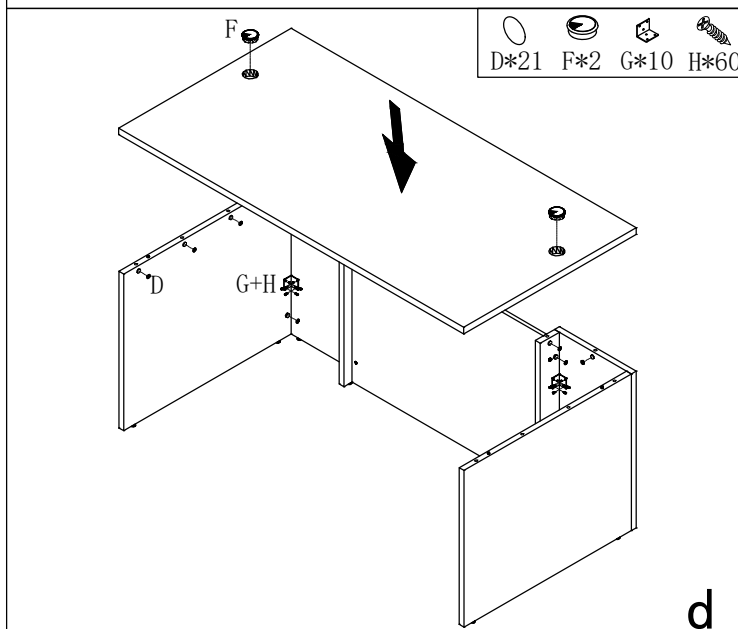
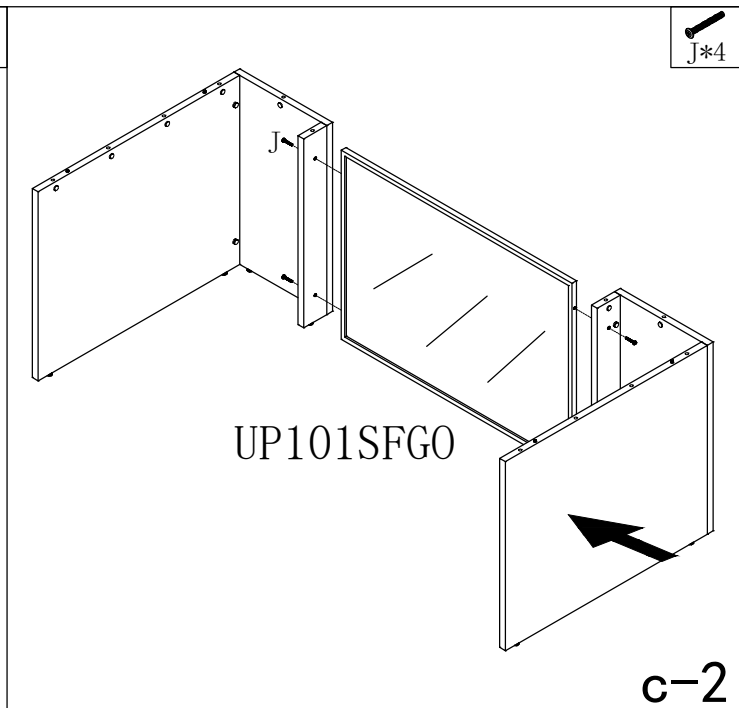
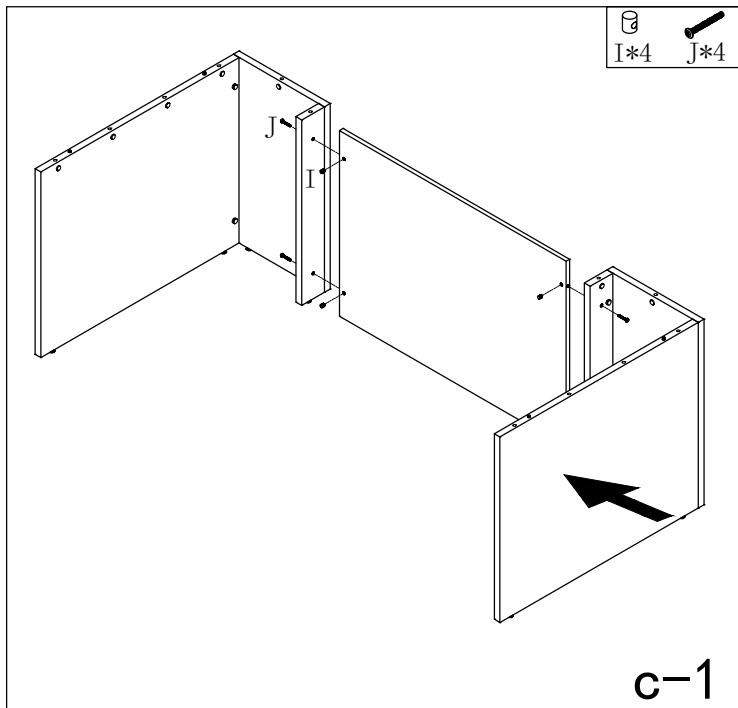


Step 1:



Step 2:





Hardware

NO.	Sample.pc	Name	QTY
A		Cam	21
B		Connector	21
C		Dowel	12
D		Ring MeiTie	21
E		Glider	10
F		Grommet	2
G		Screw	60
H		Bracket	10
I		Nut	4
J		Screw	4