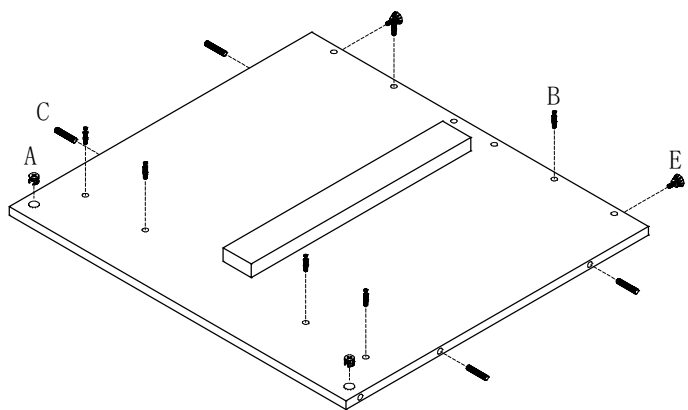


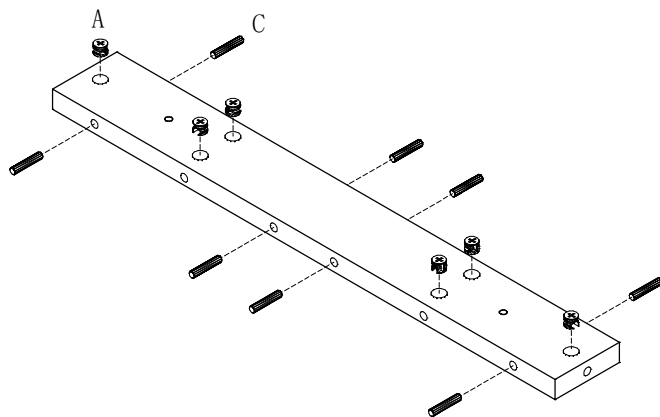
Step 1:

A\*4 B\*12 C\*8 E\*4



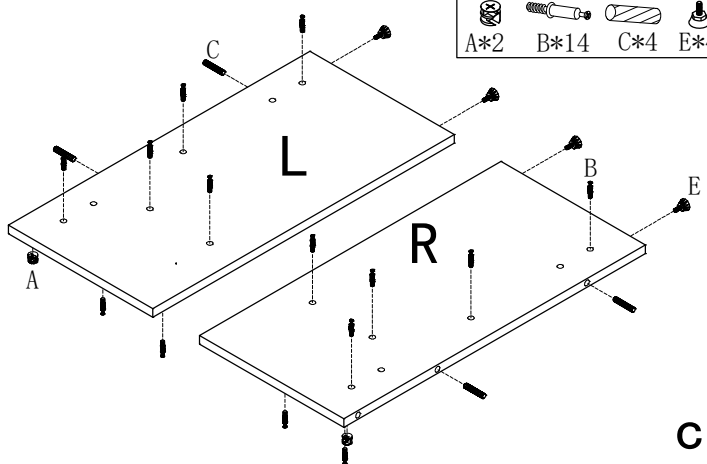
a\*2

A\*12 C\*16



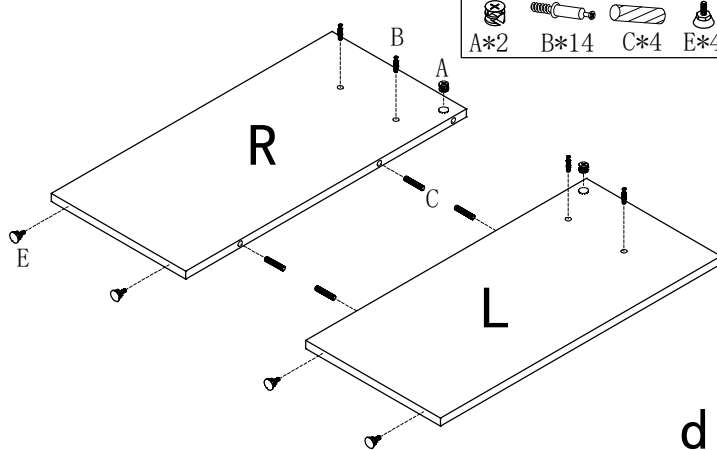
b\*2

A\*2 B\*14 C\*4 E\*4



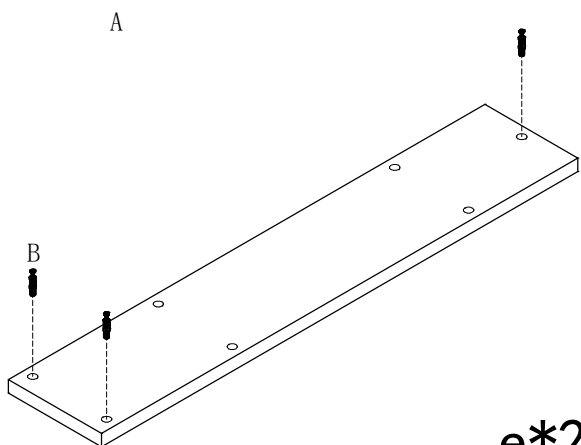
c

A\*2 B\*14 C\*4 E\*4



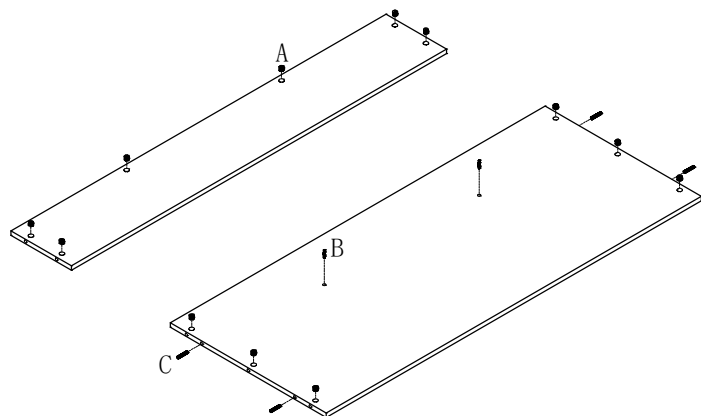
d

A\*8 B\*6



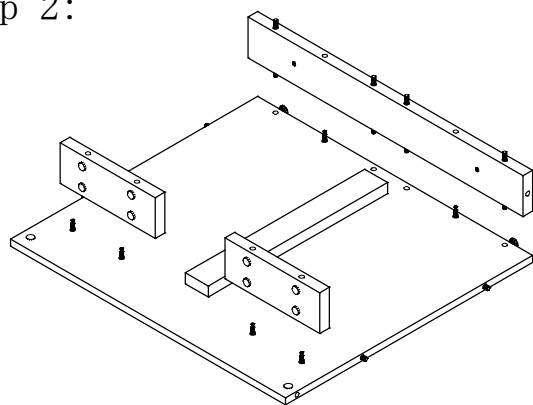
e\*2

A\*2 B\*14 C\*4



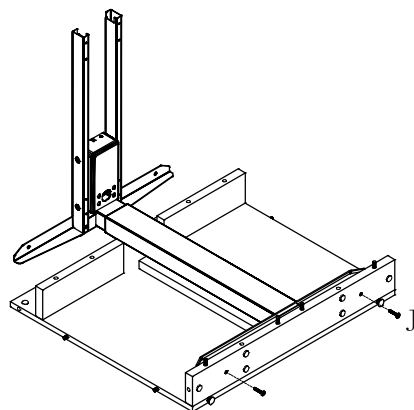
f

Step 2:

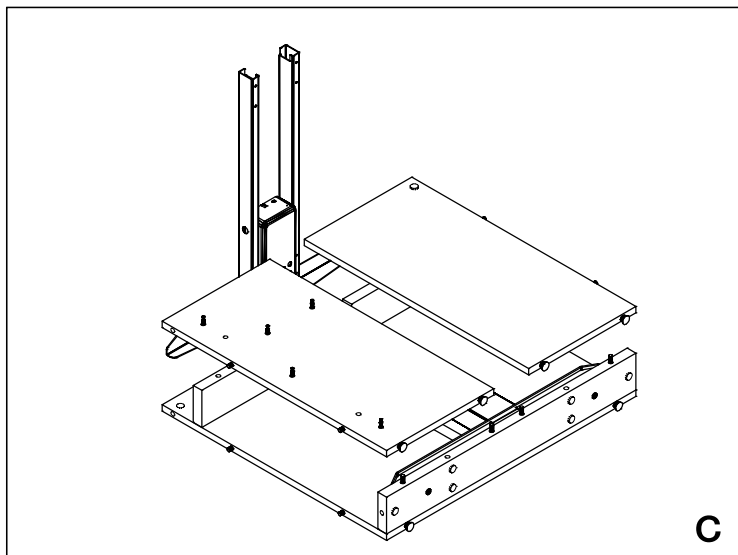


a

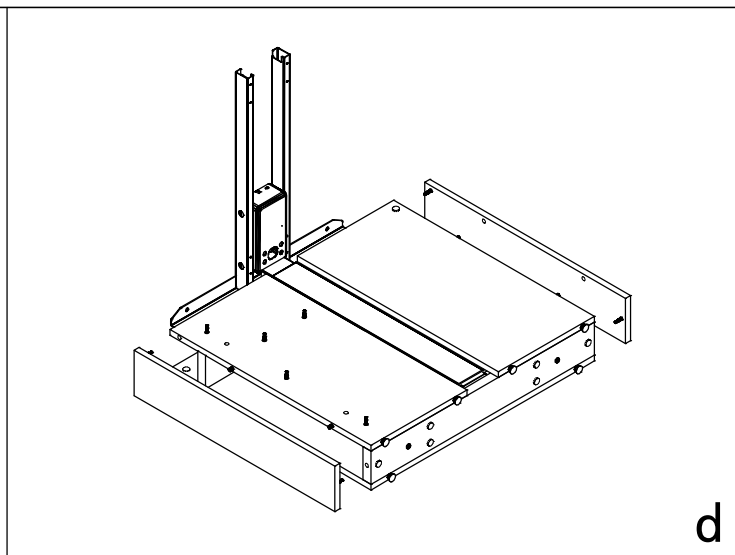
J\*4



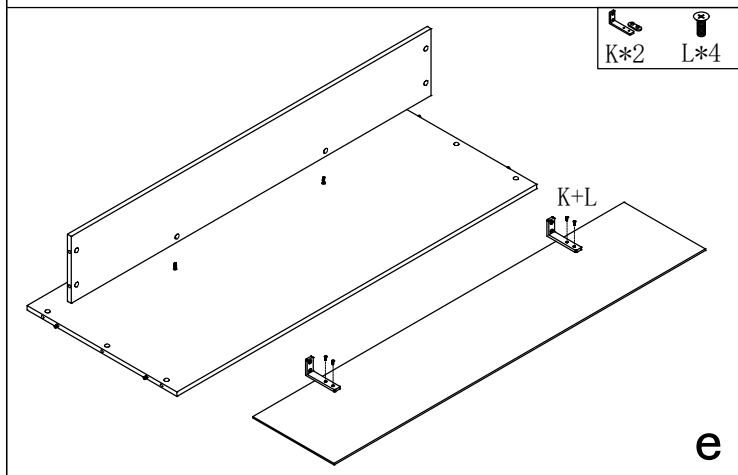
b



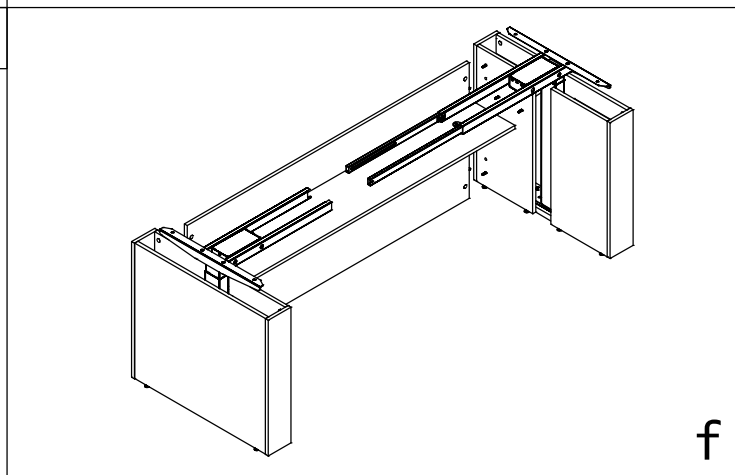
c



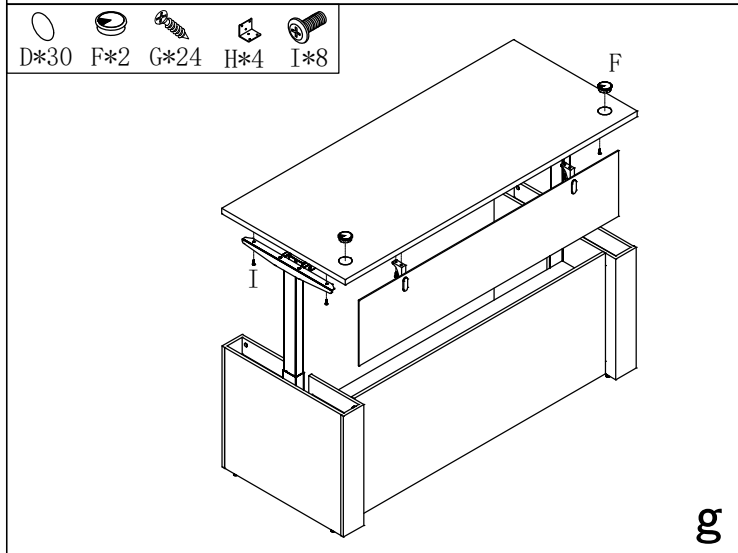
d



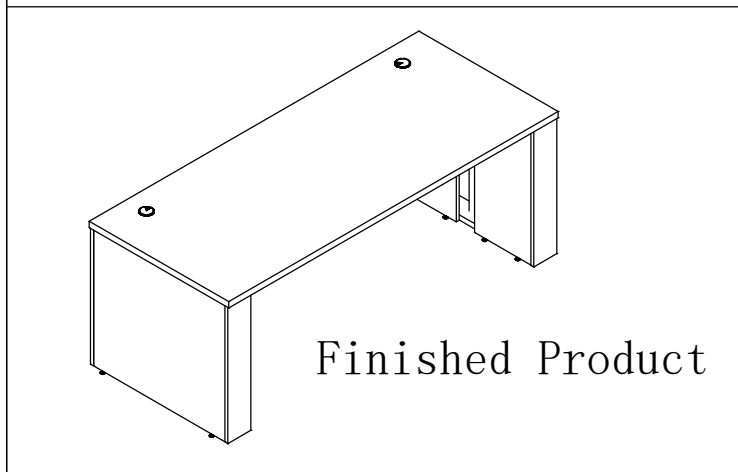
e



f



g



Finished Product

Hardware

NO.	Sample. pc	Name	QTY
A		Cam	48
B		Connector	48
C		Dowel	28
D		Ring MeiTie	30
E		Glider	8
F		Grommet	2
G		Screw	24
H		Bracket	4
I		Screw	8
J		Screw	4
K		Screw	4
L		Baffle hanger	2
M		Wrench	4