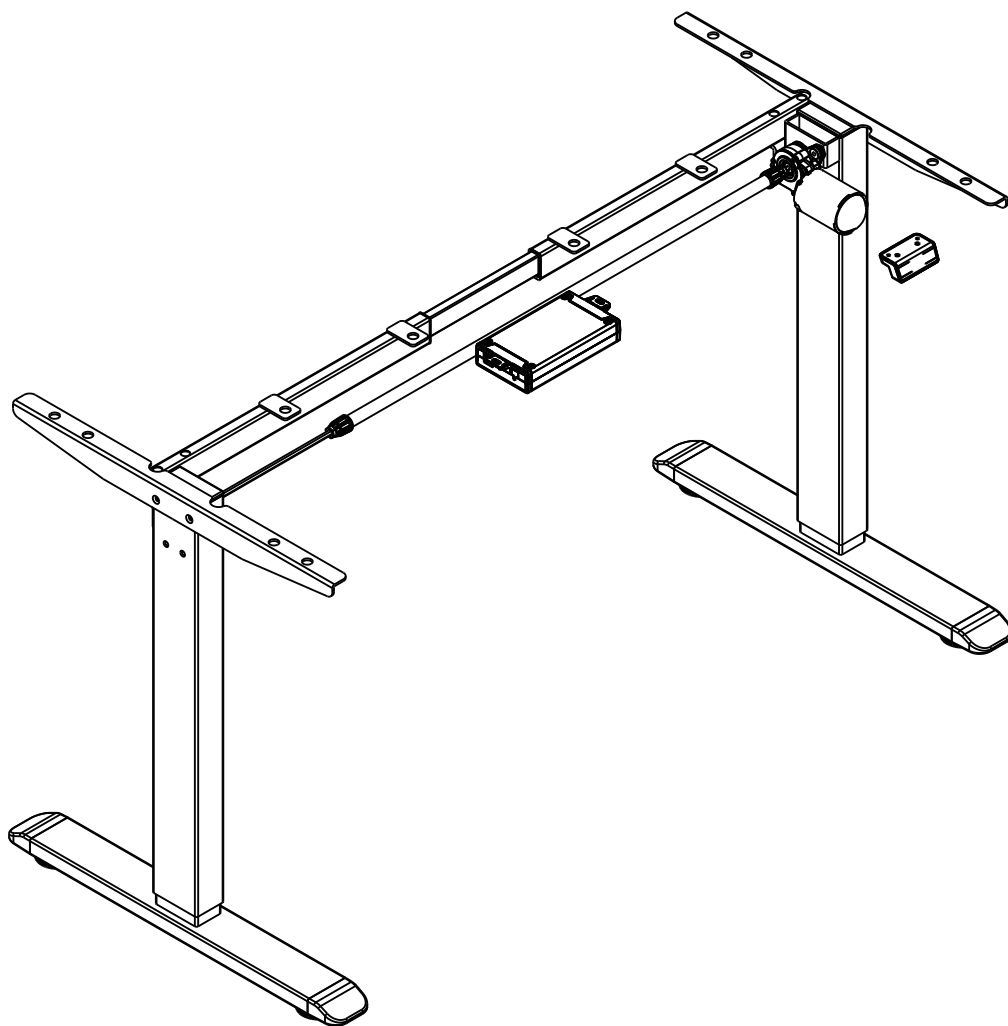


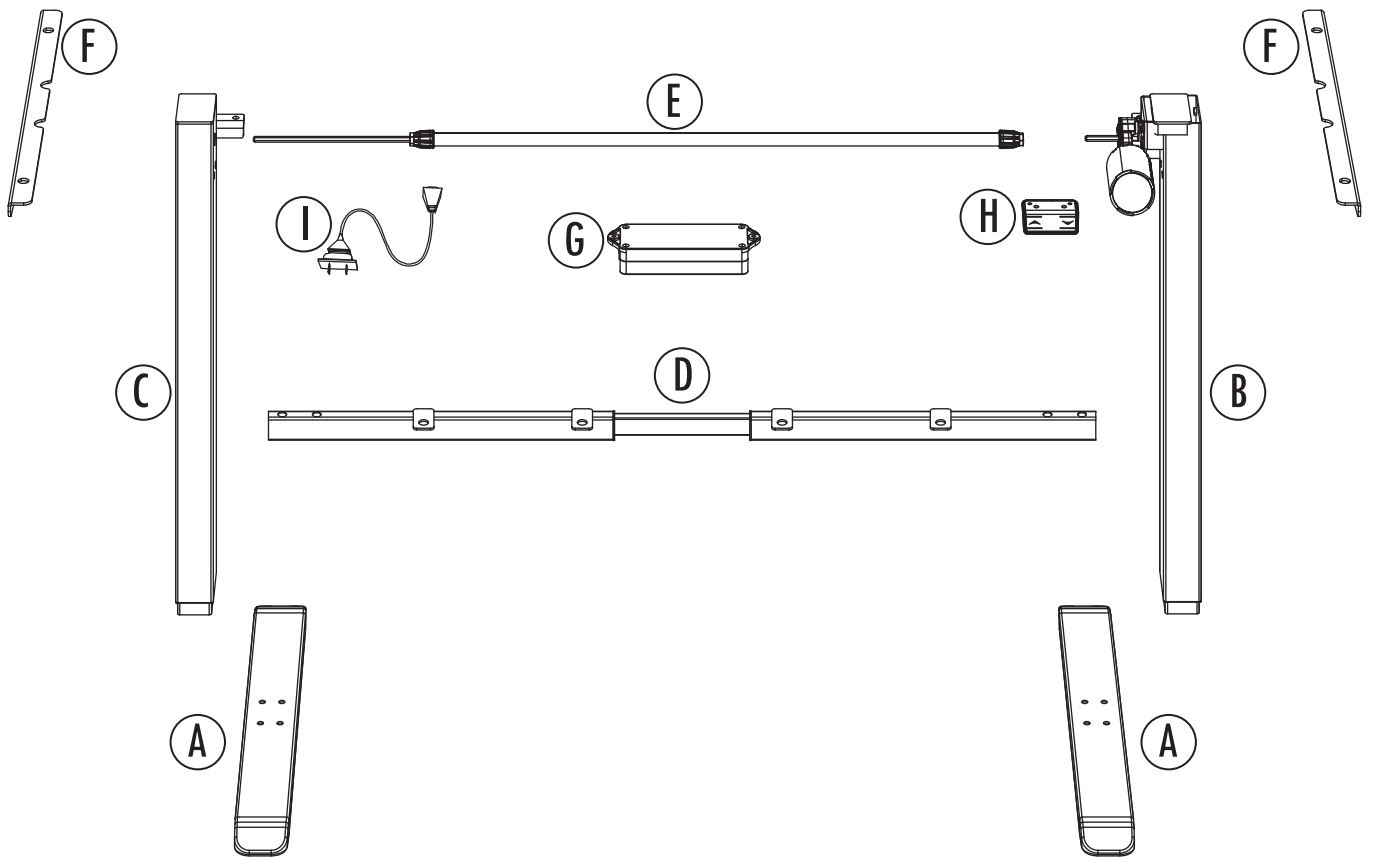
Assembly and Operating Instructions

Electric table base

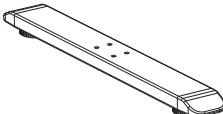





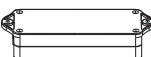

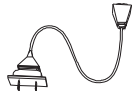
VL12



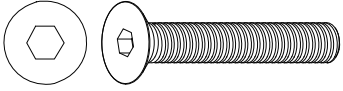


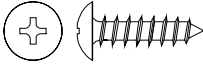
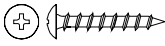
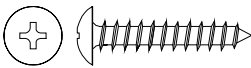
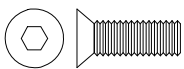

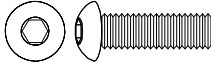


Exploded Drawing



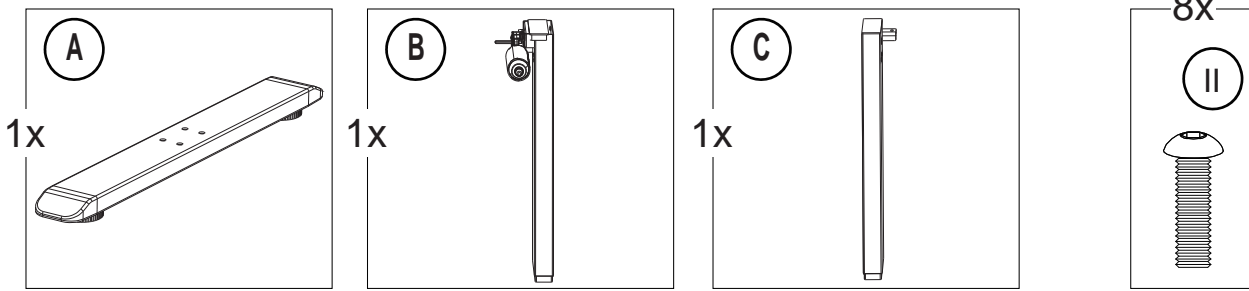
Parts List

Label	Description	Qty	Part Image
A	Feet	2	
B	Column with Motor	1	
C	Column without Motor	1	
D	Crossbar	1	
E	Transferbar	1	
F	Side Bracket	2	
G	Control Box	1	
H	Keypad	1	
I	Power Cord	1	

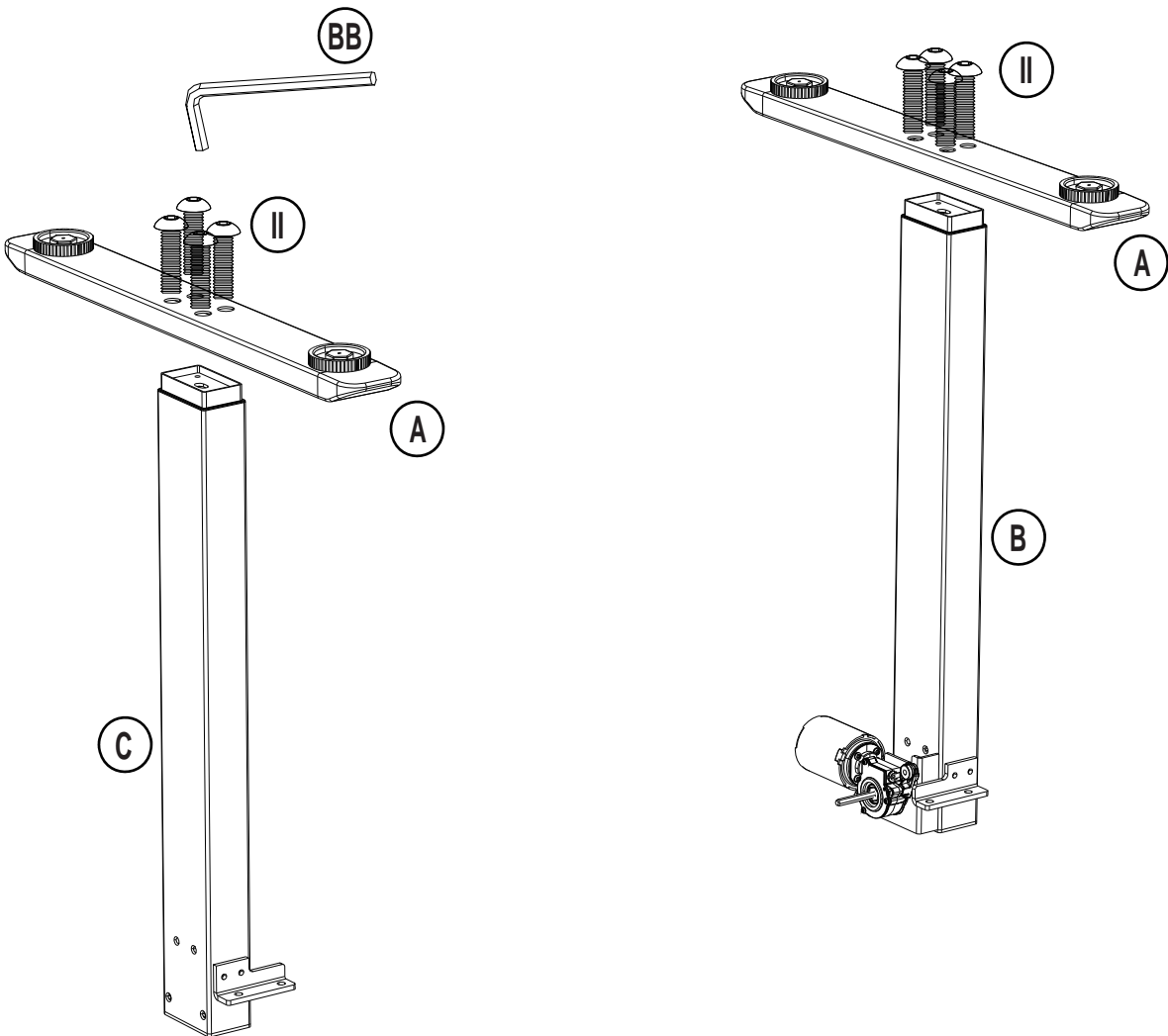
Hardware Pack

Label	Description	Qty	Spare	Part Image
AA	M8*50 Bolt	4	0	
BB	Allen Key 4mm	1	0	
CC	Allen Key 5mm	1	0	
DD	ST4.8*19 Screw	2	1	
EE	ST3.5*19 Screw	2	1	
FF	ST4.8*25 Screw	12	1	
GG	M6*12 Bolt	4	1	
HH	Clips	5	0	
II	M6*14 Bolt	8	1	
JJ	Rubber Cushion	0	2	
KK	Plastic Pad	0	2	

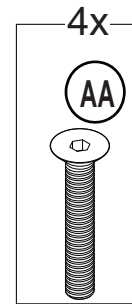
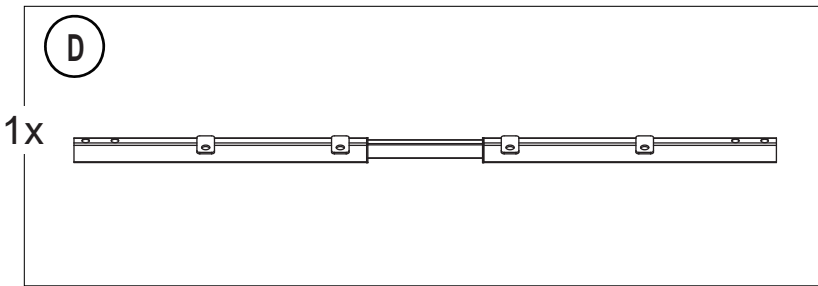
1



Assembly feet A with column B and C, use 4 pcs II to screw each feet.



2

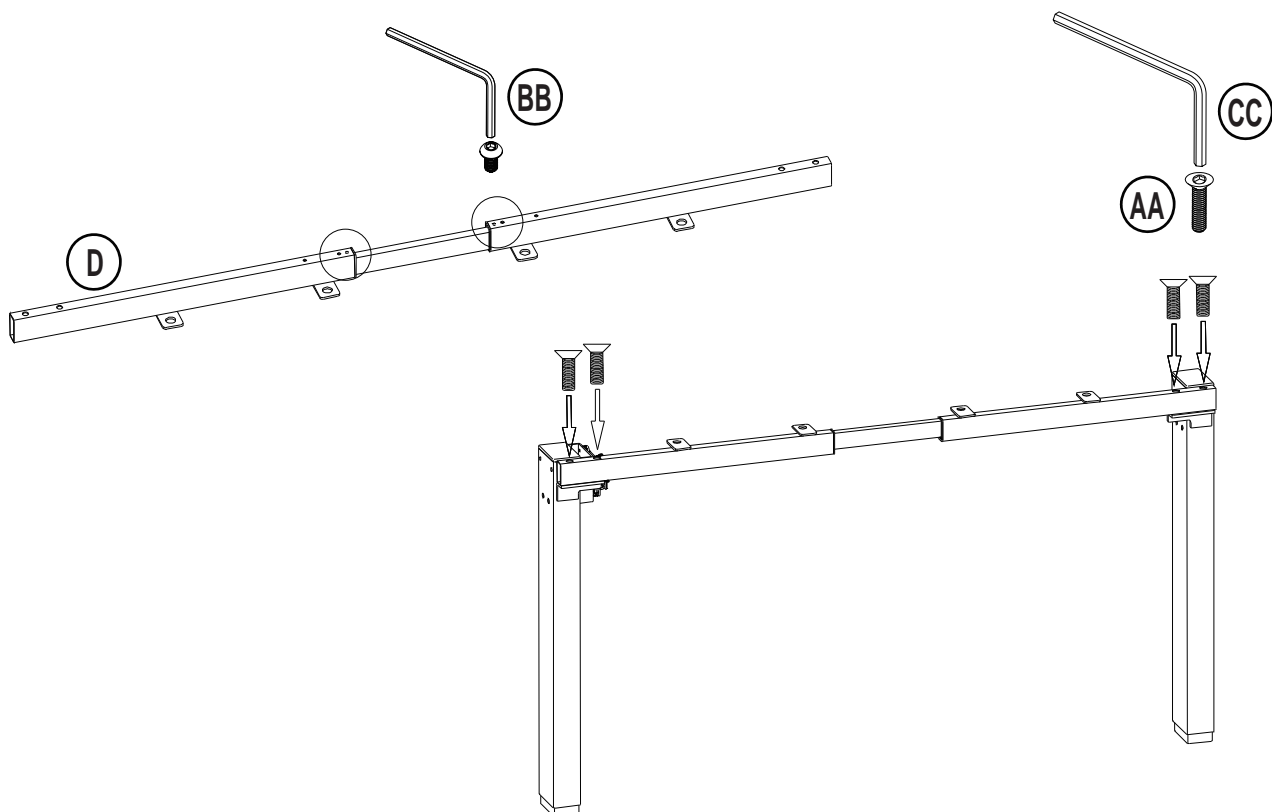


(1) Adjust frame length

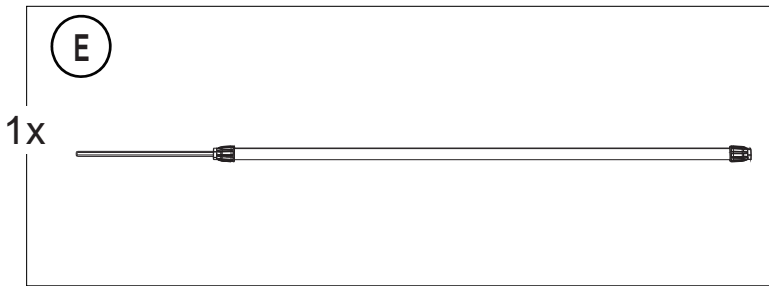
- Place the worksurface facing down on a soft, clean surface.
- Center the frame, front to back on the worksurface.
- Use Allen key BB to loosen all four M6x10 screws in the frame D.
- Expand the length so that its ends are 1" to 2" distance from the edges of the worksurface.
- Tighten the M6x10 screws to fix the length.

(2) Assembly frame

- Put the fixed frame D on the column B and C, screw them with 2 pcs AA each side.
- Fix the B column first. After fastening the B column with frame D, then screw the C side.
- Don't install the frame D upside down. The side without fixed screws should face up.

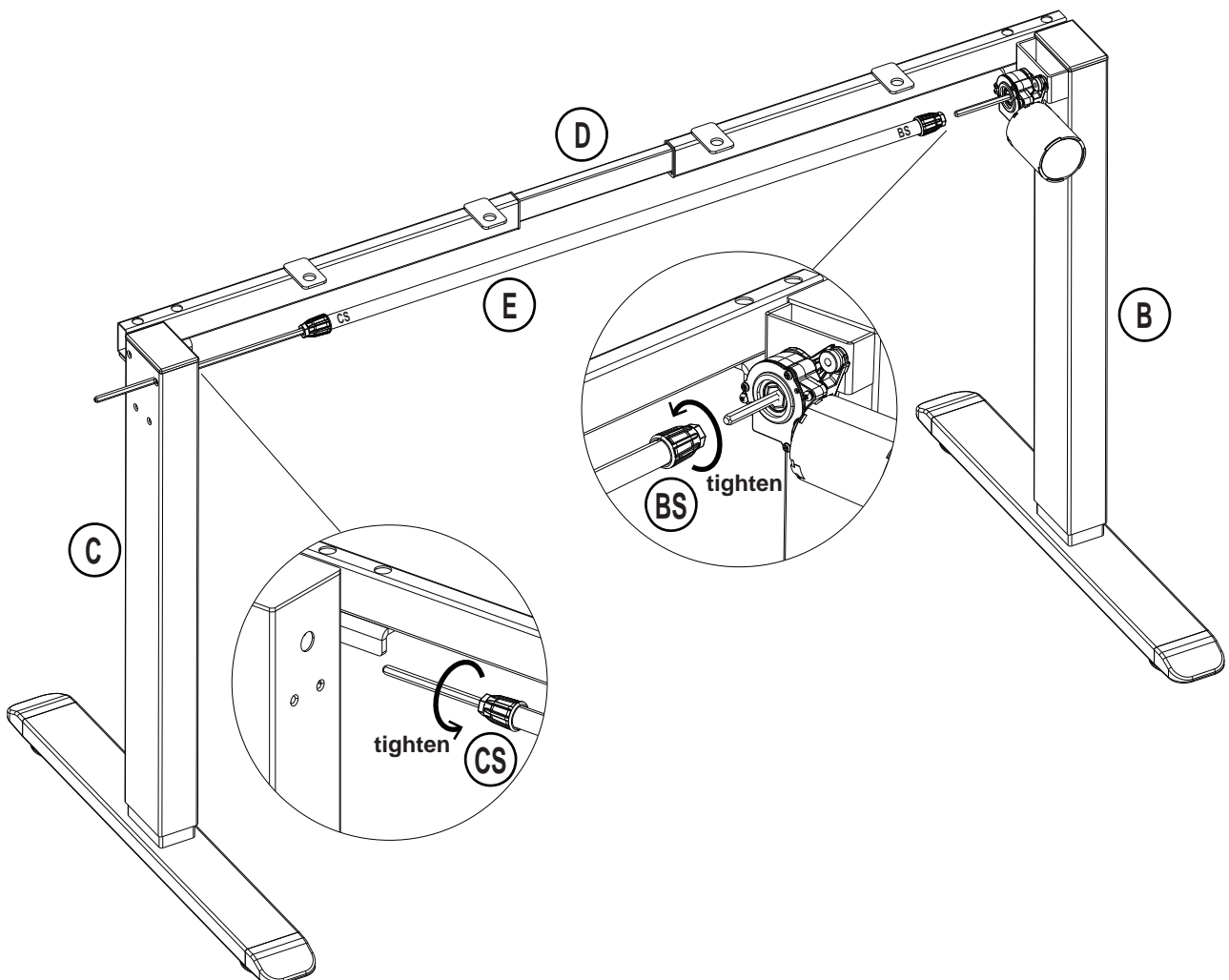


3

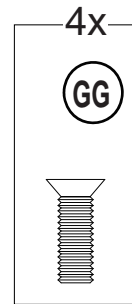
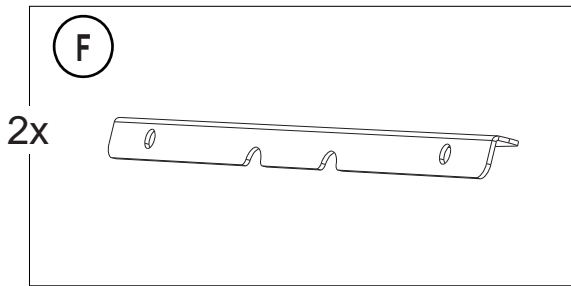


Assembly transferbar E with B and C column. The transferbar has two side, one is “BS”, another is “CS”.

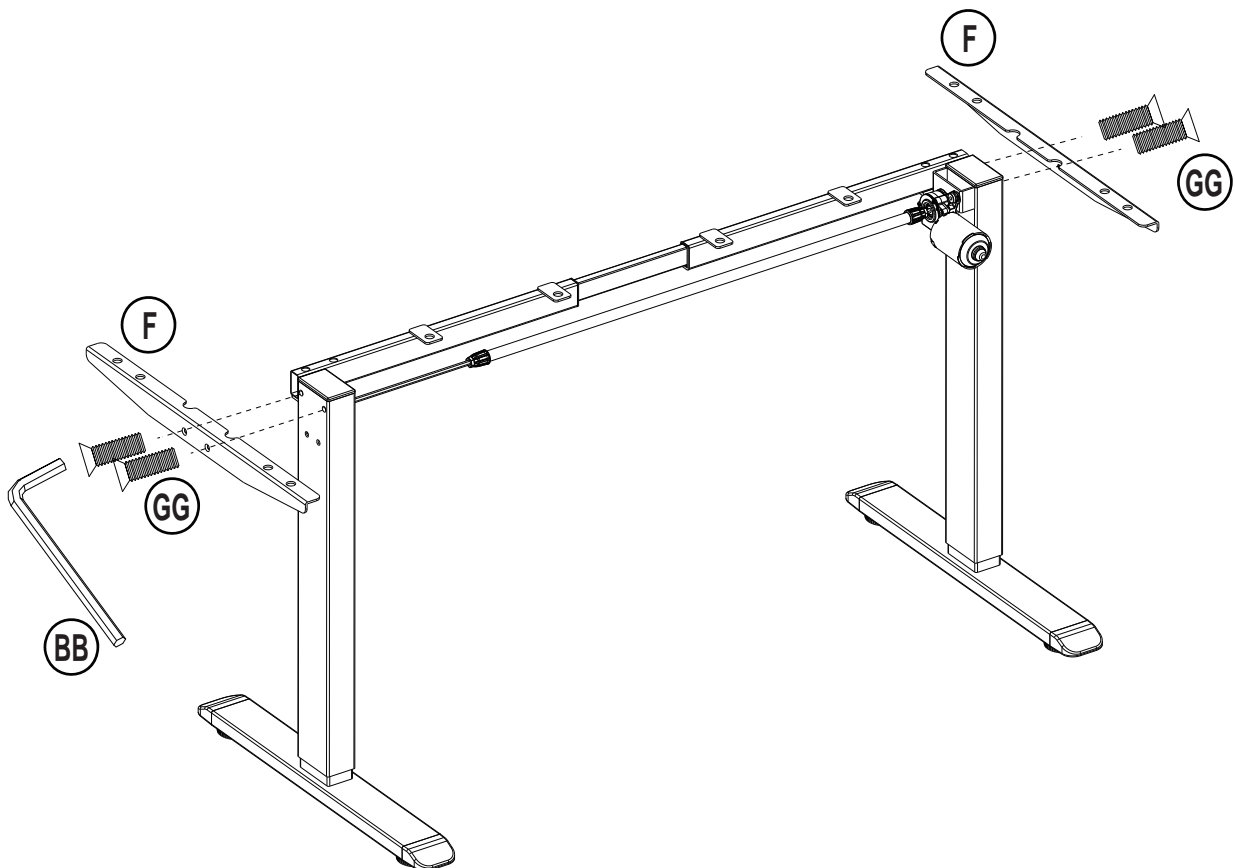
- (1) First loosen the black plastic nut on the “BS”, put the “BS” nut on the motor hexagon bar.
- (2) Second loosen the black plastic nut on the “CS”, insert the crossbar into the C column to the end. Then pull the crossbar jacket to cross the “BS” plastic nut, and screwing the nut.
- (3) Finally screwing the “CS” plastic nut, and make sure the crossbar was fully tightened on the column B and C.



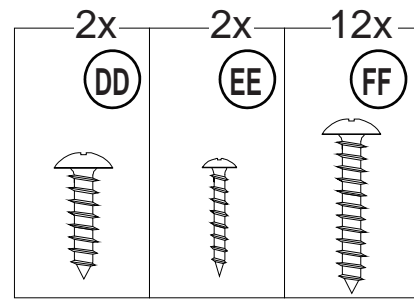
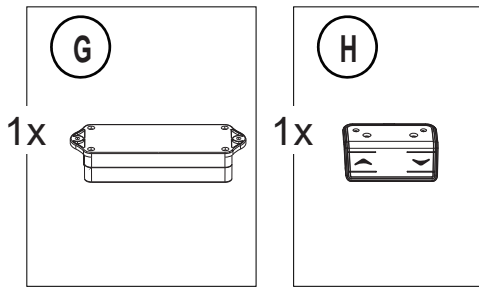
4



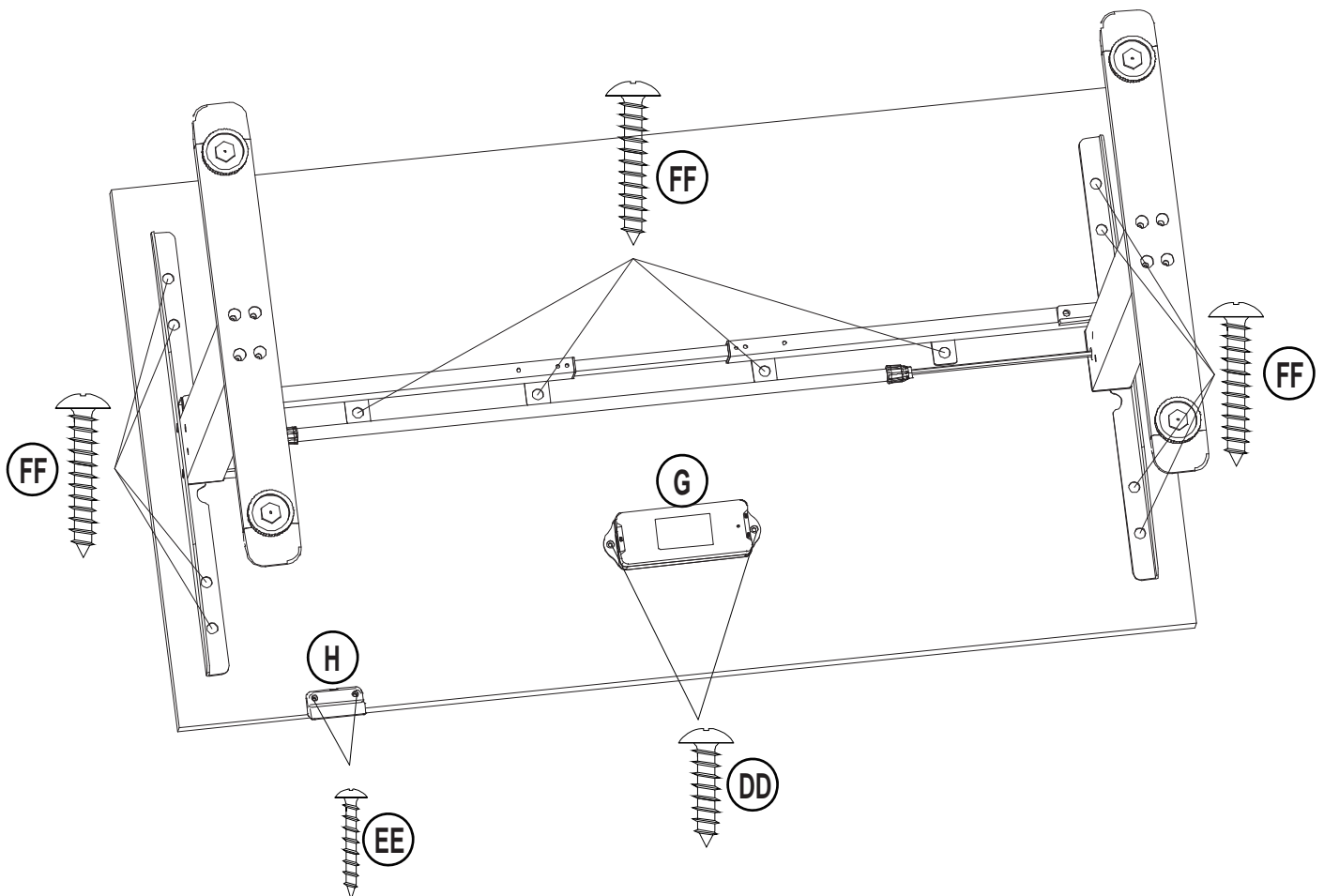
Screw the bracket F on the column with 2 pcs GG each side.



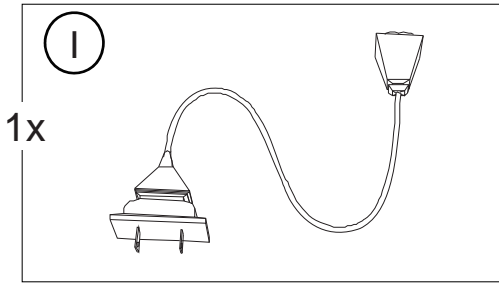
5



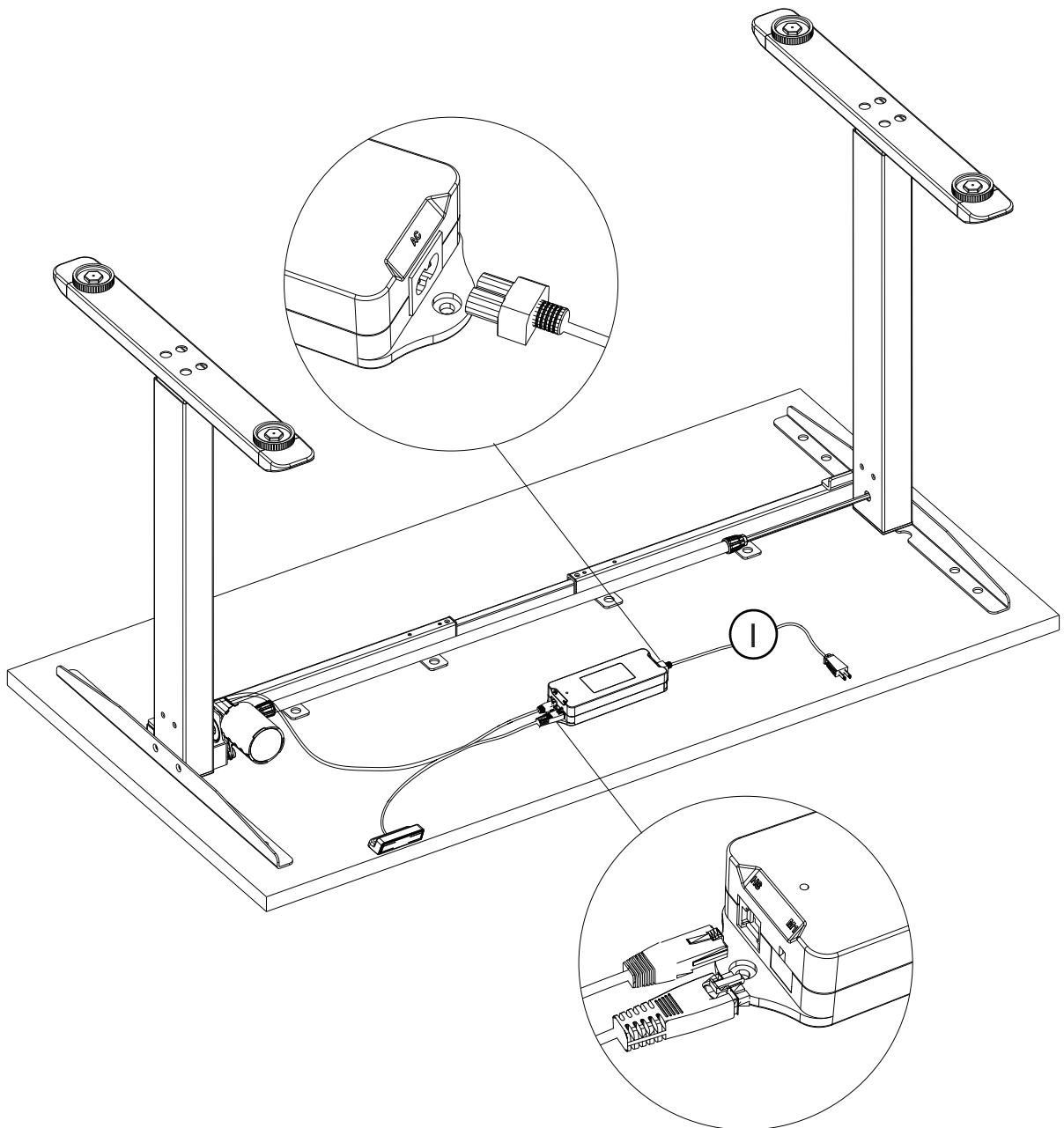
- Secure desk base to desktop
- (1) Turn the base up side down and center it onto desktop.
 - (2) Secure the base to the desktop with 12 pcs FF screw.
- Screw the H keypad with 2 pcs EE on the desktop.
 - Screw the G control box with 2 pcs DD on the desktop.



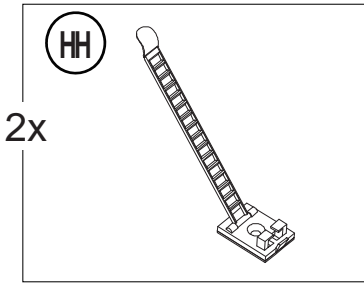
6



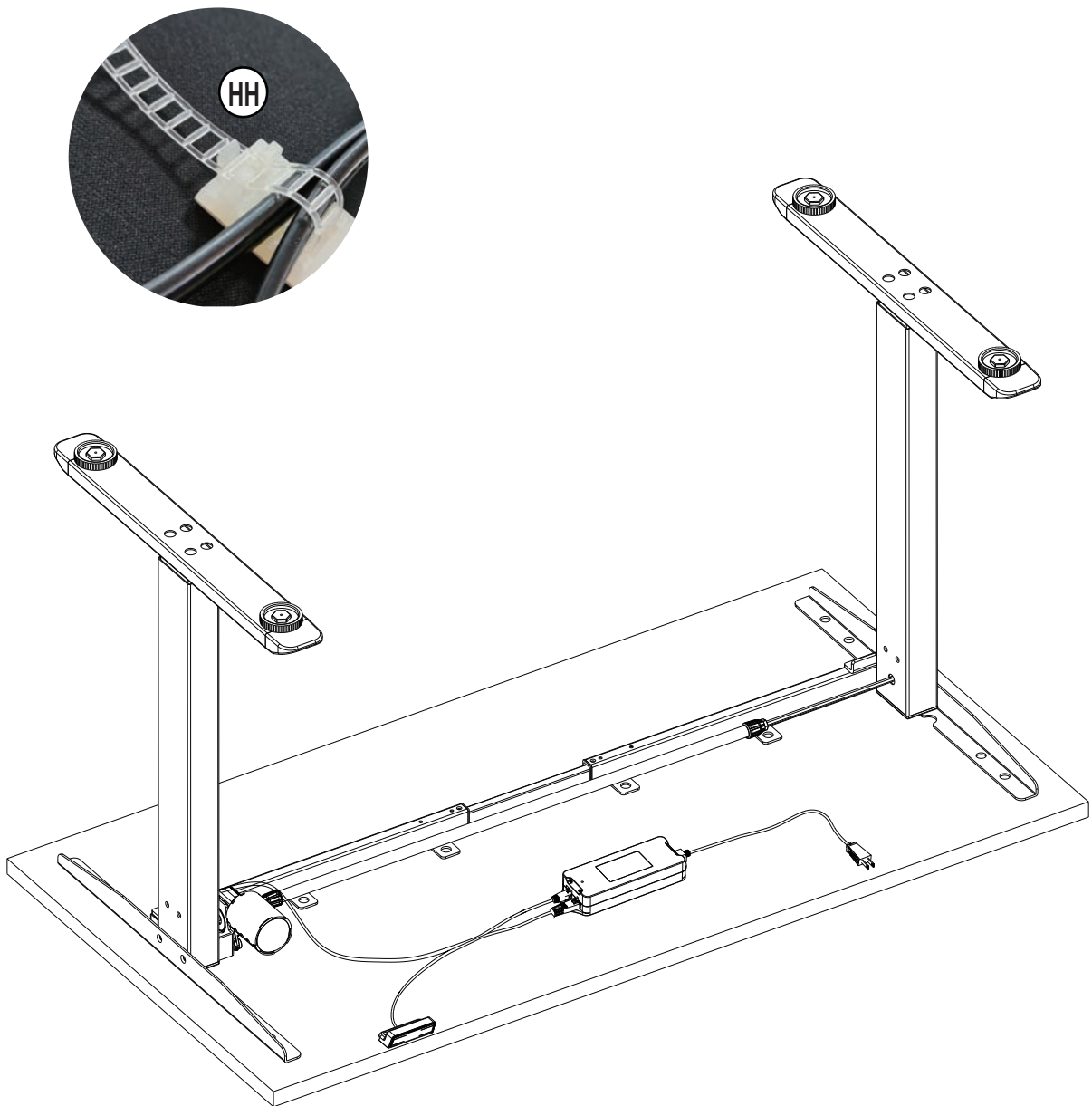
Connect 2 motor wires and 1 power plug into the control box.



7



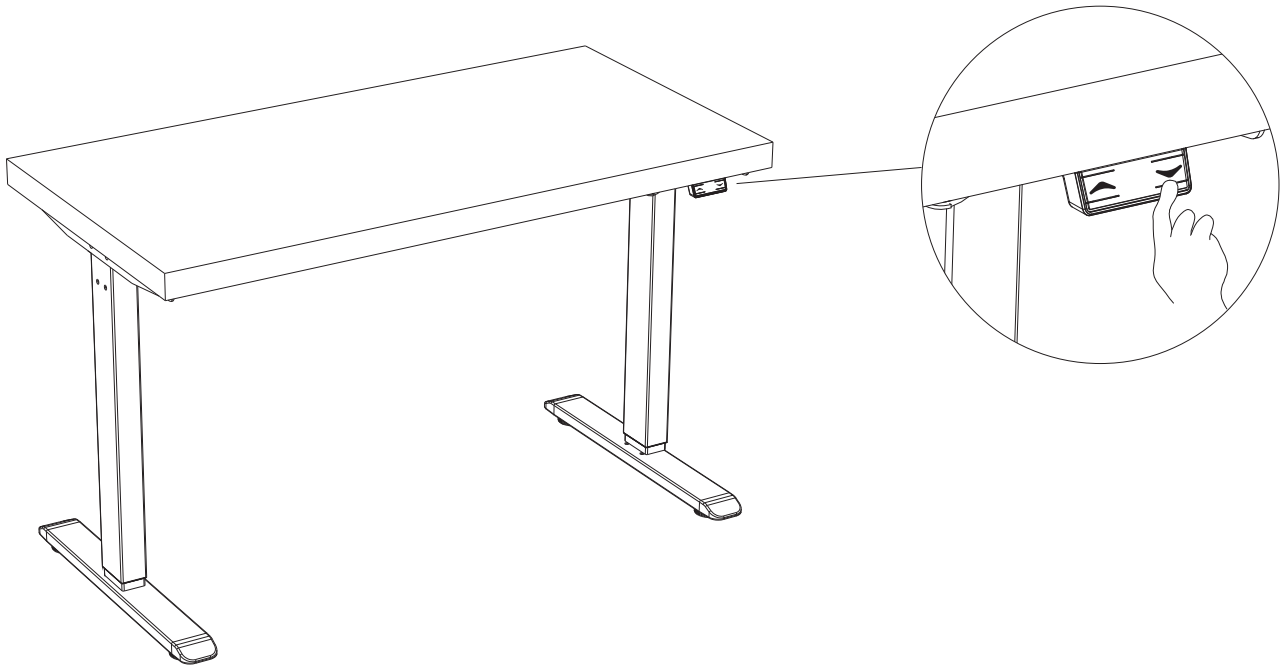
Attach the wires on the desktop with 2 pcs (or more) cable ties.



System Initialization

- 1- Plug the power cord into an outlet or power strip.
- 2- Reduce the desktop to the lowest height, release the button.
- 3- Press and hold the “∨” button until a beep sound is heard.
- 4- Your table is ready for use.

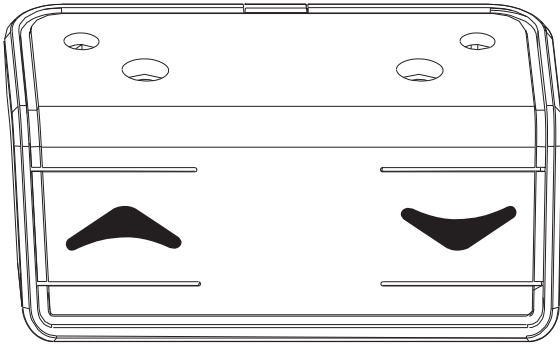
Noted: After the desk is installed, the system must be reset.



Up And Down Operation

- 1- Press and hold “∧” or “∨” button can reach the desired height.

Error Code Instruction



INSTRUCTIONS FOR “E04”

- 1- When “E04” displayed on the keypad screen, it means keypad loose connection with control box.
- 2- Check the keypad cable and make sure the connection with control box is secure.

INSTRUCTIONS FOR “E05”

- 1- When “E05” displayed on the keypad screen, the table stop running because it meet the obstacles, during up and down operation.
- 2- Loose the button, after “E05” disappeared, re-start operation.

INSTRUCTIONS FOR “E08”

- 1- When “E08” displayed on the keypad screen, the worksurface with slight inclination.
- 2- Reset the system, see step#8 above.

INSTRUCTIONS FOR “E11”

- 1- When “E11” displayed on the keypad screen, the motor wire didn’t connected with control box.
- 2- Check motor wire and make sure the connection with control box is secure.

INSTRUCTIONS FOR “RST”

- 1- When “RST” displayed on the keypad screen, it means you release the “ √ ” button before you hear a “beep” sound.
- 2- Reset the system again, see step#8 above.

INSTRUCTIONS FOR “HOT”

- 1- When “HOT” displayed on the keypad screen, it means your cumulative operation of up and down running over 2 minutes, the system will stop running and protect the motors.
- 2- There will be 18 minutes can not operate the table running, after 18 minutes, the table can return to normal use.