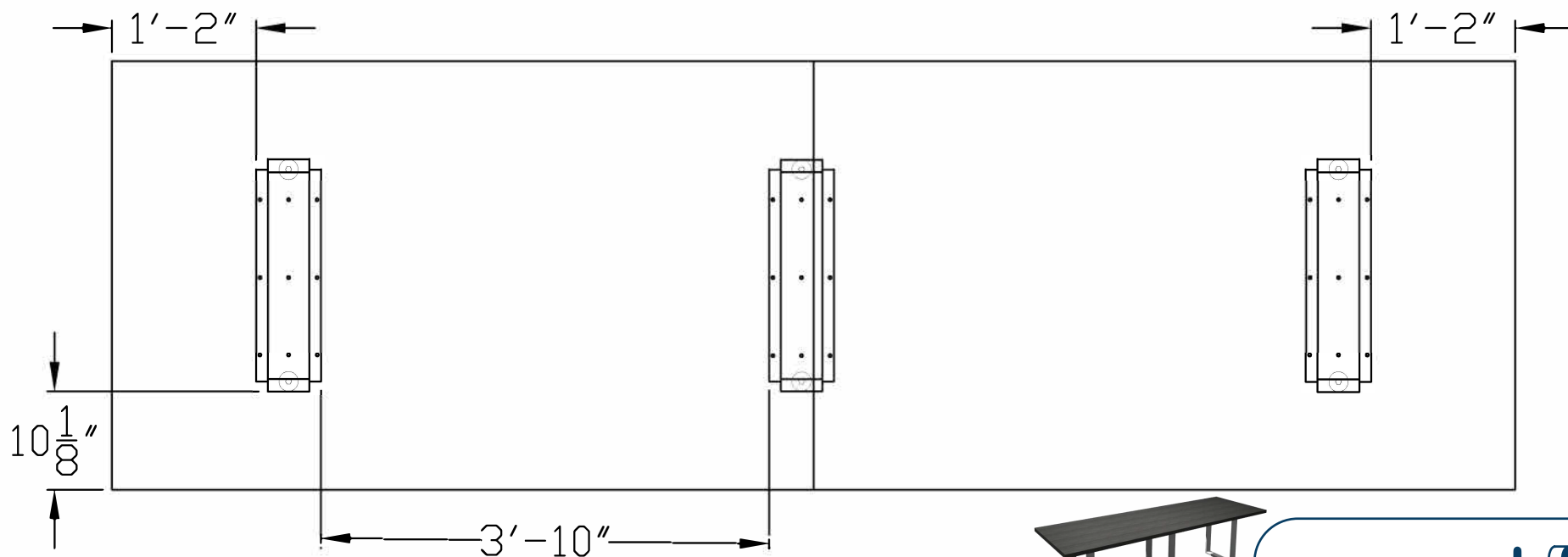
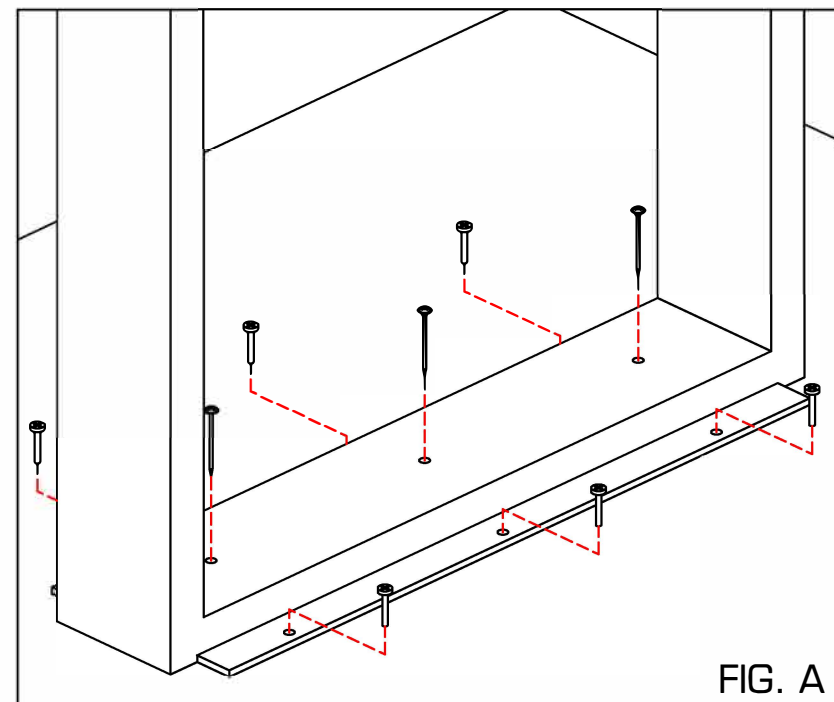


# 144" CONFERENCE TABLE

1. FLIP CONFERENCE TOP OVER AND PLACE ON BLANKET TO AVOID DAMAGE.
2. JOIN 2 PIECE TABLE TOGETHER USING TOGGLE BOLTS PROVIDED.
3. ALIGN LEFT, MIDDLE AND RIGHT LEGS AS SHOWN BELOW.
4. SECURE LEGS TO TABLE TOP USING HARWARE PROVIDED. REFER TO FIG. A.



connect **it.**