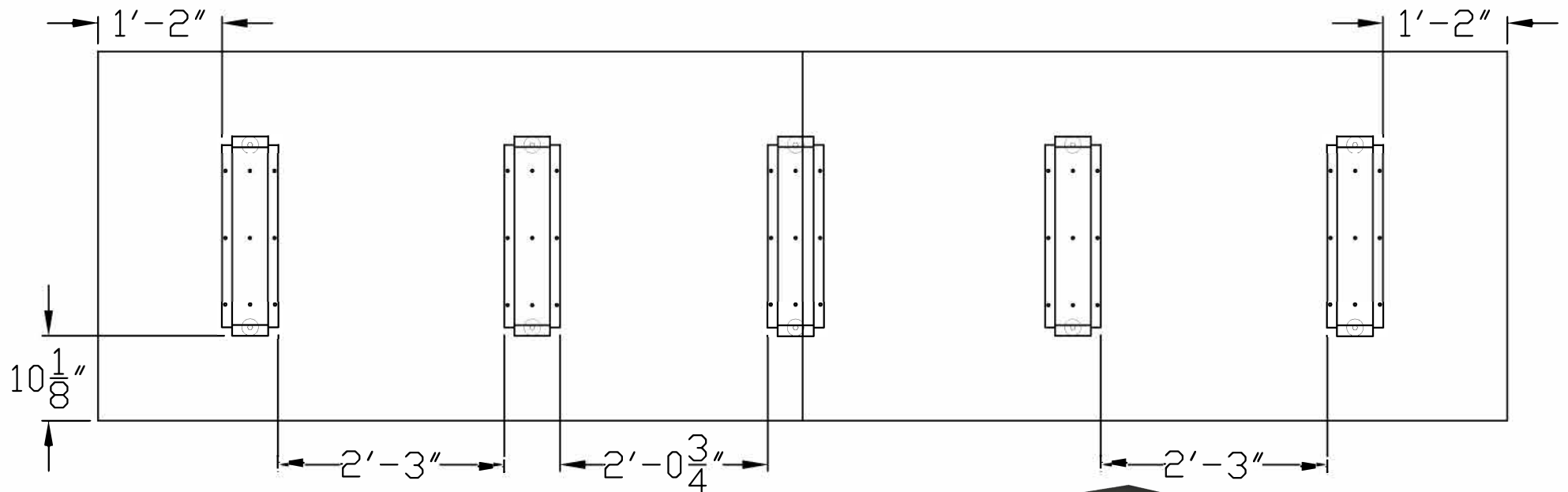
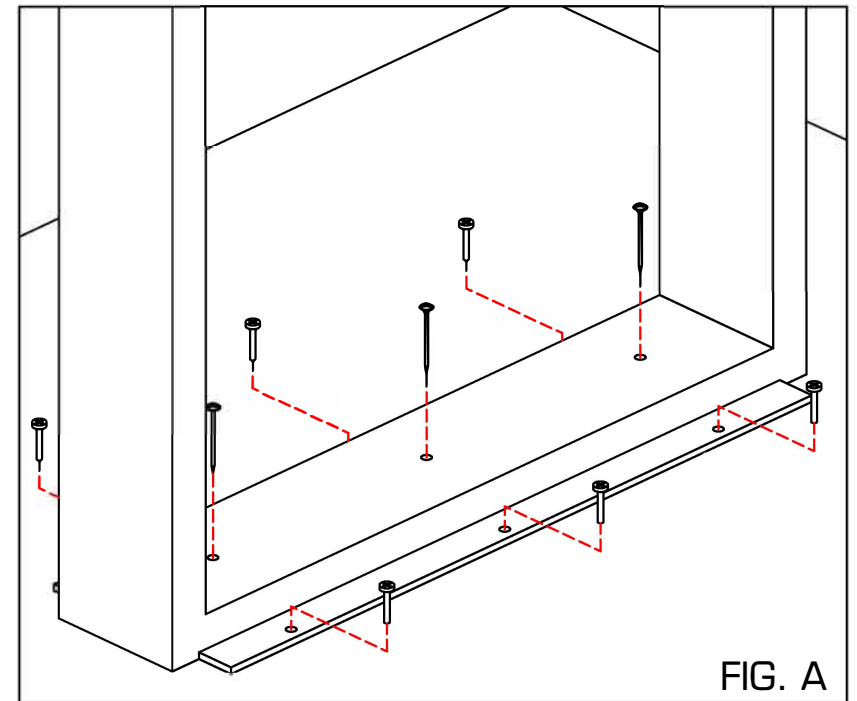


168" CONFERENCE TABLE

1. FLIP CONFERENCE TOP OVER AND PLACE ON BLANKET TO AVOID DAMAGE.
2. JOIN 2 PIECE TABLE TOGETHER USING TOGGLE BOLTS PROVIDED.
3. ALIGN LEFT, RIGHT AND 3 MIDDLE LEGS AS SHOWN BELOW.
4. SECURE LEGS TO TABLE TOP USING HARWARE PROVIDED. REFER TO FIG. A.



connect **it.**