

ASSEMBLY INSTRUCTIONS

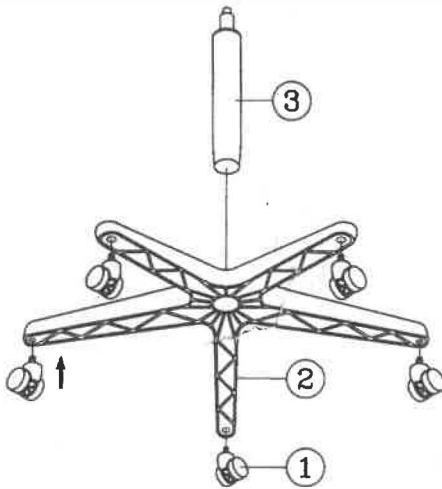
Remove all items from the carton . Verify all pieces before assembly.

MI-97720-30 and MI-97728-EC3

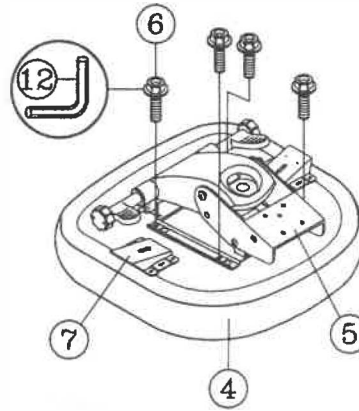
PARTS LIST

KEY	QTY	DESCRIPTION	KEY	QTY	DESCRIPTION	KEY	QTY	DESCRIPTION
1	5	Caster	6	4	Mechanism Screw	10	2	Armrest
2	1	Base	7	2	Arm Bracket	11	2	Arm Width Adjustment Knob + Washers
3	1	Seat Post	8	1	Backrest	12	1	M5 Size Allen Wrench
4	1	Seat	9	3	Mechanism Bracket Screw + Washer			
5	1	Mechanism						

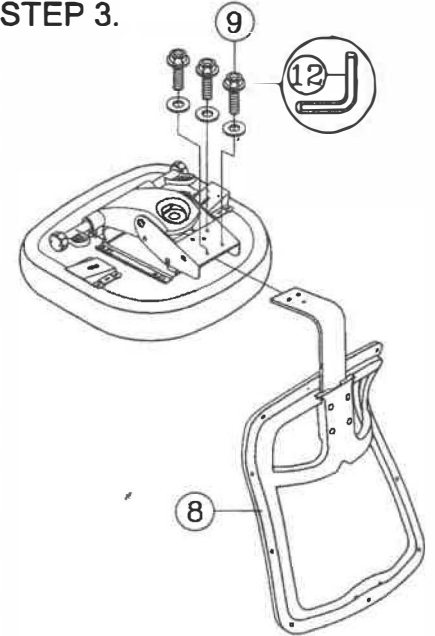
STEP 1.



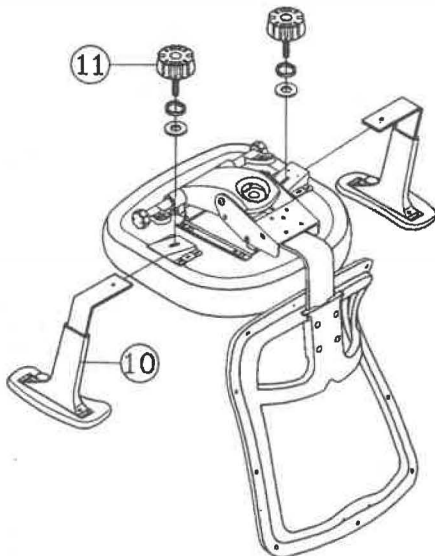
STEP 2.



STEP 3.



STEP 4.



MECHANISM INSTRUCTIONS :

- (A) : Pneumatic seat height adjustment. Lift to adjust seat height.
- (B) : Tilt tension adjustment knob. Turn clockwise to increase tilt tension and counter clockwise to decrease.
(Pull knob (B) out for easy operation)
- (C) : Backrest locking control knob:
Turn clockwise to lock backrest in position and counter clockwise to unlock.
(Pull knob (C) out for easy operation)
- (D) : Seat slide control lever. Lift lever up to slide and release once desirable position is reached.
(Please lock knob (C) to easily operate knob (D))

PREVENTIVE MAINTENANCE AND WARNING!

- USE THIS PRODUCT ONLY FOR SEATING ONE PERSON AT A TIME.
- DO NOT USE THIS CHAIR AS A STEP STOOL / LADDER.
- DO NOT SIT ON ANY PART OF THE CHAIR EXCEPT THE SEAT.
- DO NOT USE CHAIR ON UNEVEN FLOOR SURFACES.
- DO NOT USE CHAIR UNLESS ALL BOLTS, SCREWS AND KNOBS ARE TIGHTENED.
- EVERY SIX MONTHS, PLEASE MAKE SURE ALL BOLTS, SCREWS AND KNOBS ARE FULLY TIGHTENED TO ENSURE STABILITY.
- IF ANY PARTS ARE MISSING, BROKEN, DAMAGED OR WORN, STOP USE OF THE PRODUCT UNTIL REPAIRS ARE MADE USING FACTORY AUTHORIZED PARTS.
- DISPOSE OF PACKAGING PROPERLY. PLASTIC BAG IS NOT A TOY. DO NOT USE PLASTIC BAG AS HEAD COVERING - IT MAY CAUSE SUFFOCATION.
- FAILURE TO FOLLOW THESE WARNINGS COULD RESULT IN SERIOUS INJURY.
- NOTE: SOME SCREWS MAY BE PREASSEMBLED. IF PREASSEMBLED, IGNORE ASSEMBLY INSTRUCTIONS.