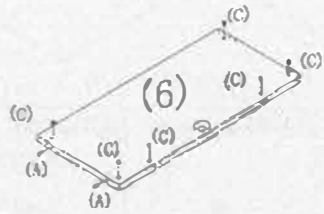
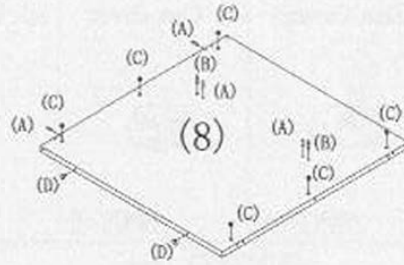


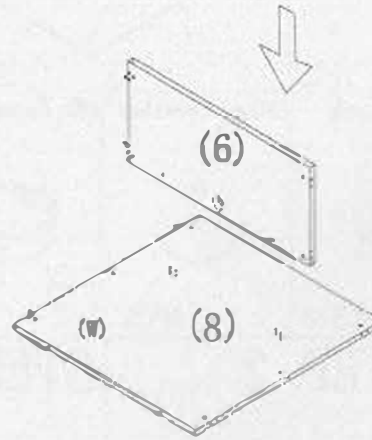
STEP 9



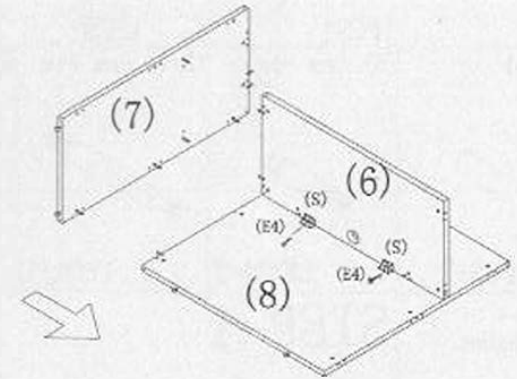
STEP 11



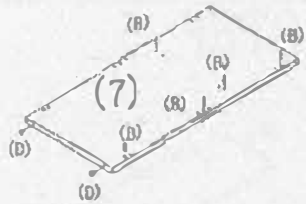
STEP 13



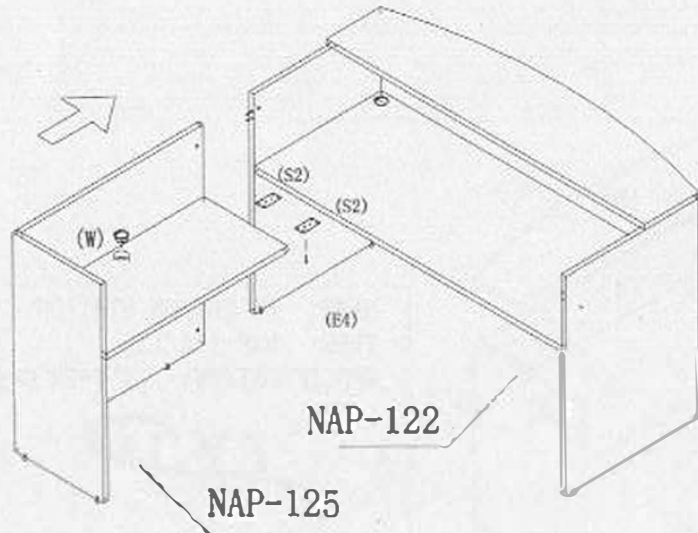
STEP 14



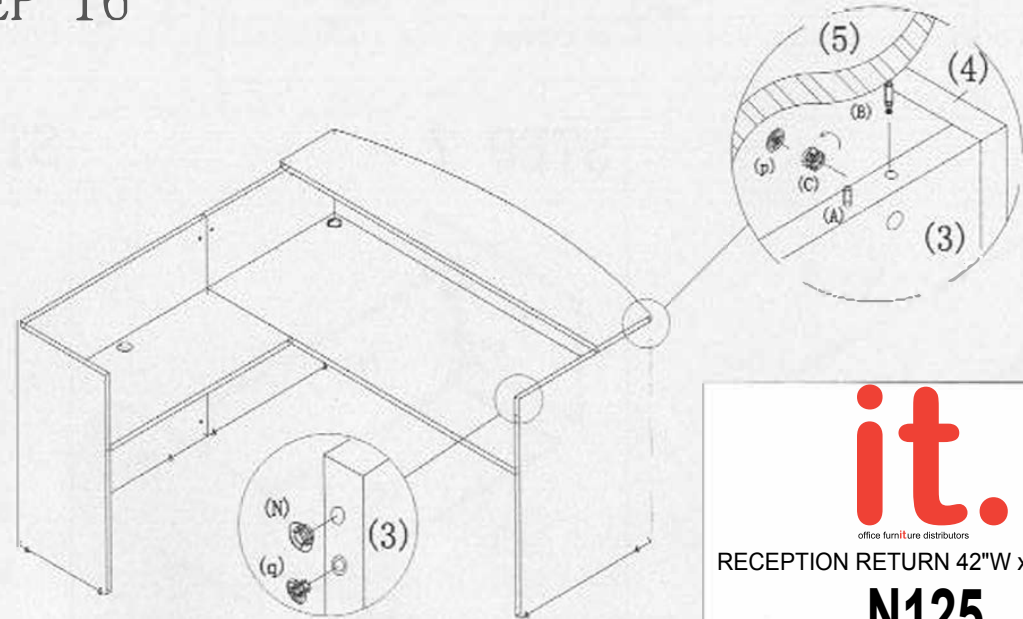
STEP 10



STEP 15



STEP 16



it.
office furniture distributors

RECEPTION RETURN 42"W x 24"D x 41"H

N125

Always lay components on a clean, soft-cushioned surface during assembly.