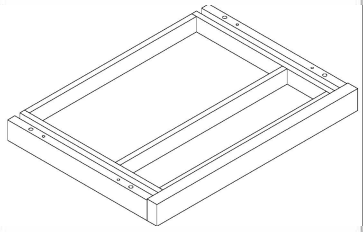
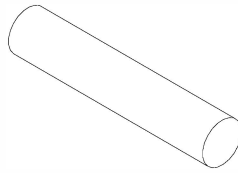


(1)N15



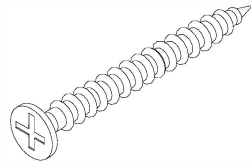
1PCS

(A1)Dowel



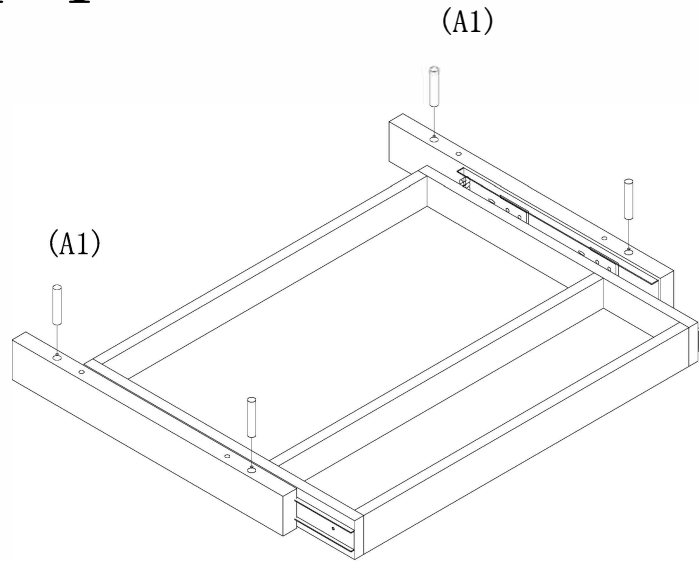
4PCS

(E7)Wood Screw

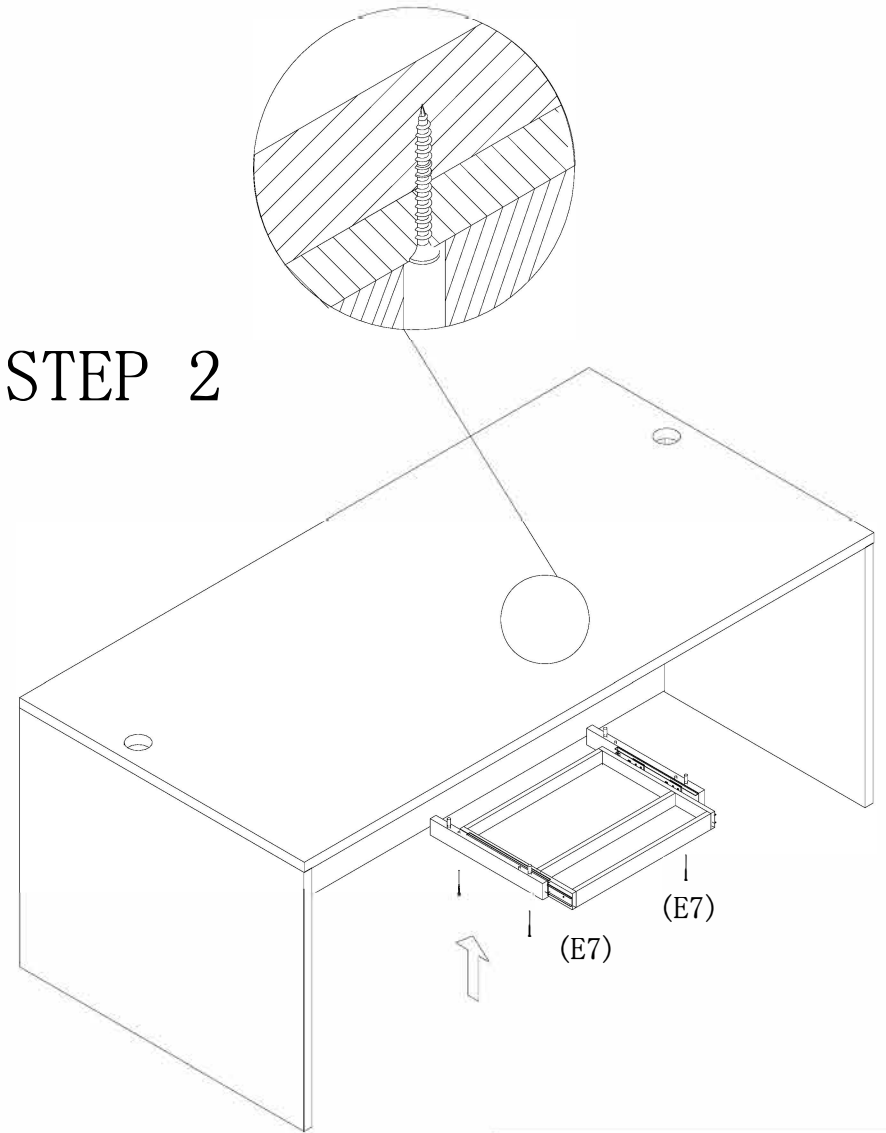


4PCS

STEP 1



STEP 2



CENTER DRAWER 20"W x 15"D

N15

Always lay components on a clean, soft-cushioned surface during assembly.