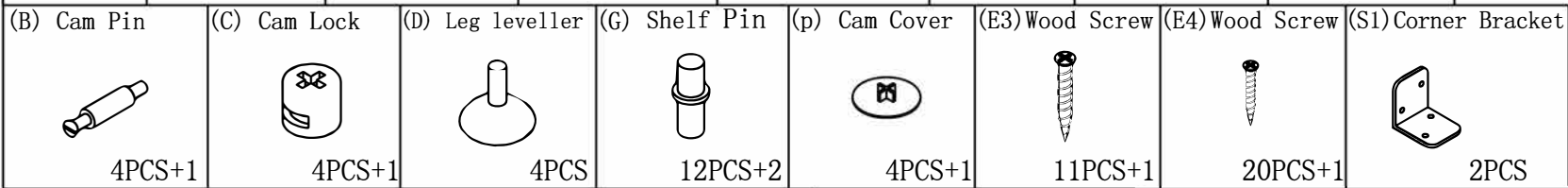
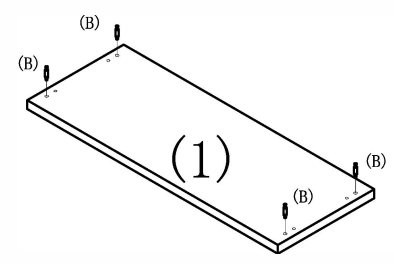
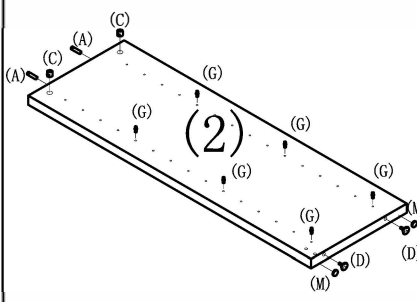


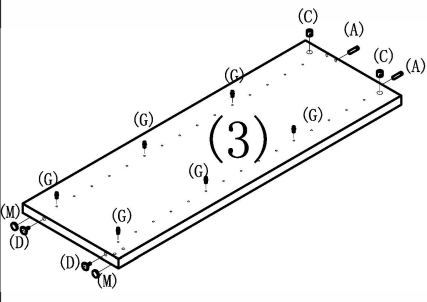
STEP 1



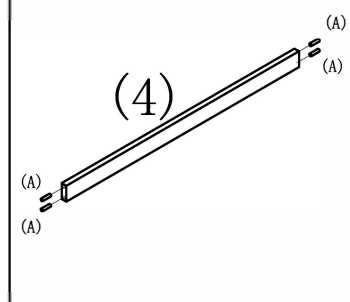
STEP 2



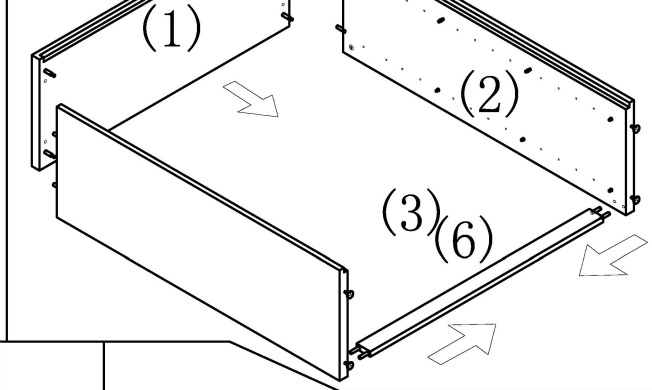
STEP 3



STEP 4

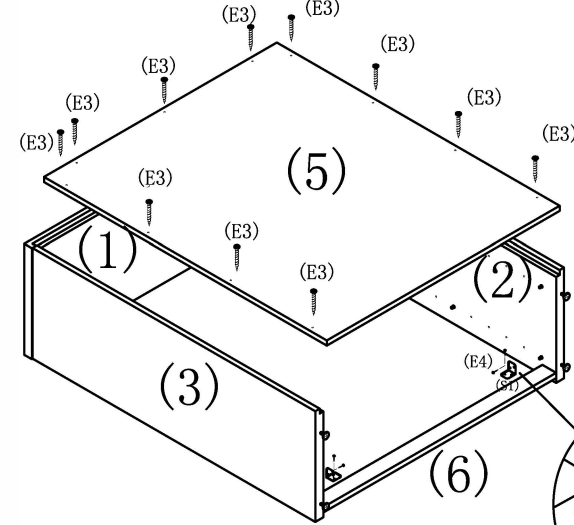


STEP 5

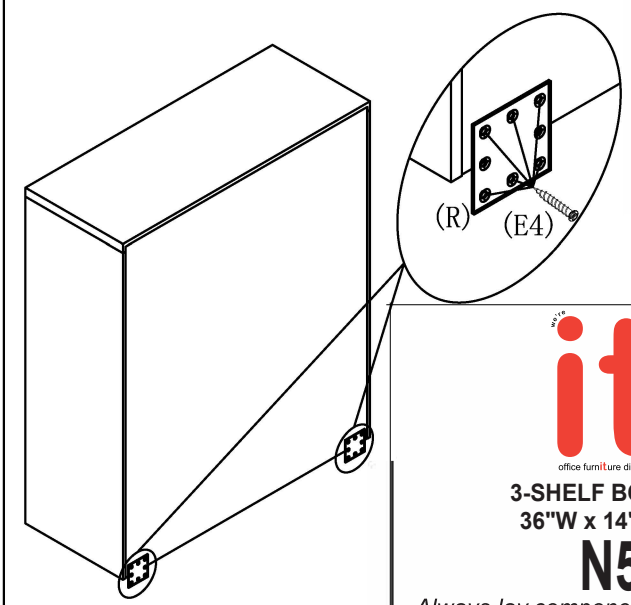
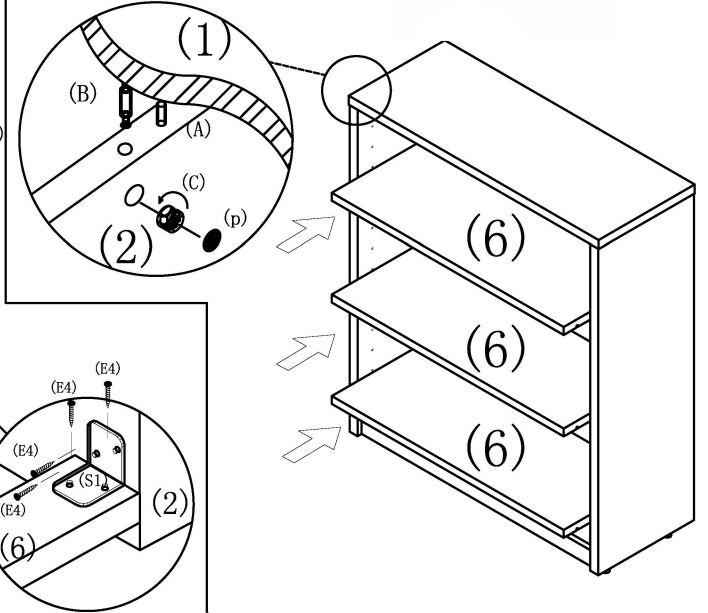


STEP 8

STEP 6



STEP 7



it.
office furniture distributors

3-SHELF BOOKCASE
36"W x 14"D x 42"H

N55

Always lay components on a clean, soft-cushioned surface during assembly.