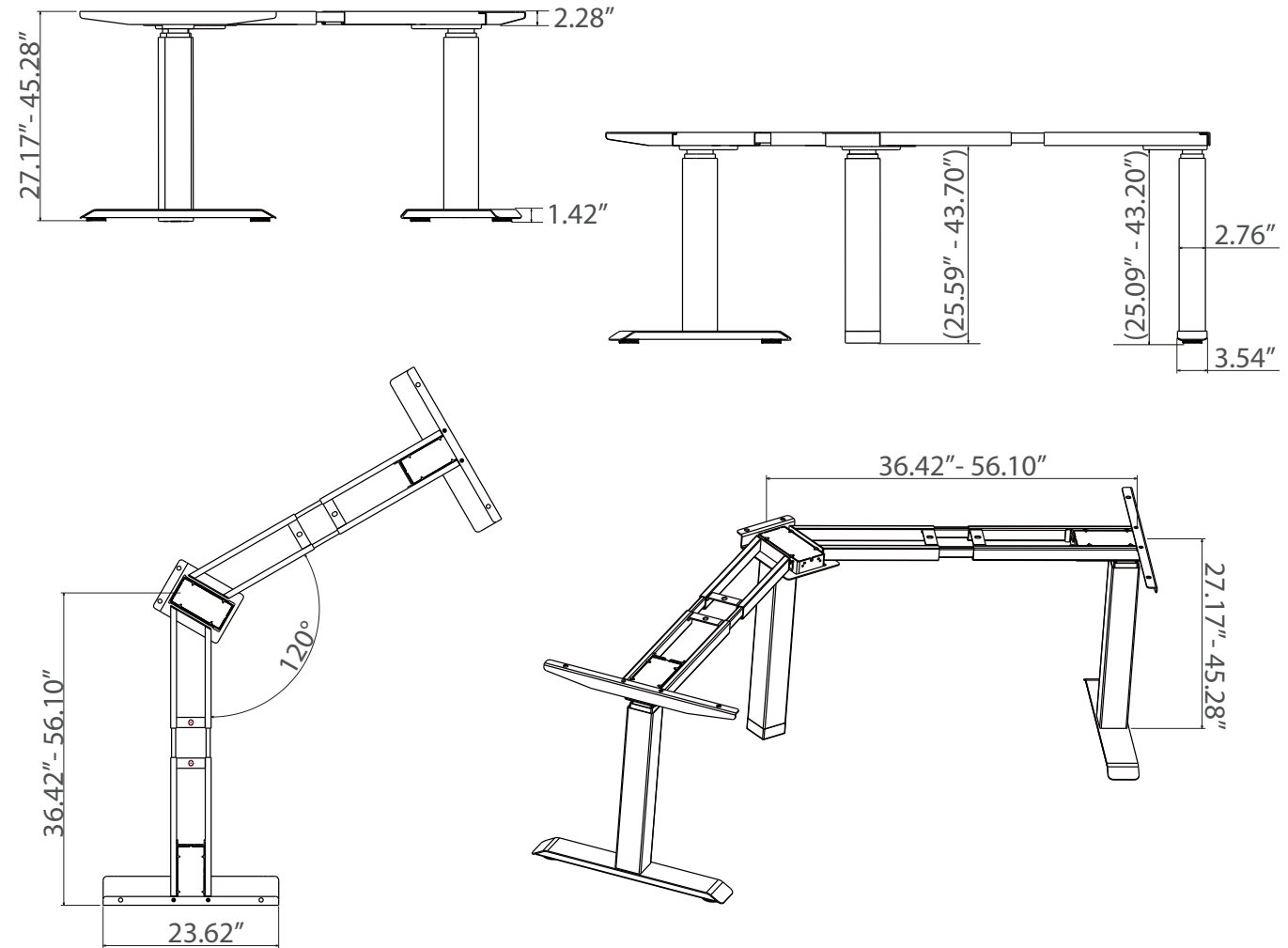


OFD-CI2ELBASE-120- 2 Stage 120° Electric Height Adjustable Base

OFD-CI2ELBASE-120- 2 Stage 120° Electric Height Adjustable Base



(-BS) Brushed Silver



Smart L-type Products



3 Memory Controller with 2 USB Ports

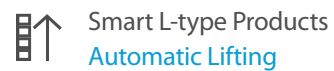
Paint



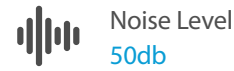
Brushed Silver

White

Black



Smart L-type Products Automatic Lifting



Noise Level 50db



Warranty Period Lifetime Limited



RoHS

TYPE	DATA
Leg Shape	Square
Frame Height Adjustable Range	27.17" - 45.28" (Top adds 1.1")
Frame Adjustable Range	W(36.42-56.10")+(36.42-56.10")*D(23.62")
Foot Length Size	23.62"
Speed	1.26" /second
Maximum Lifting Capacity	330 lbs
Input	100-240V