

OFD-CI2ELBASE-90-
2 Stage 90° Electric Height Adjustable Base

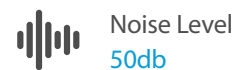
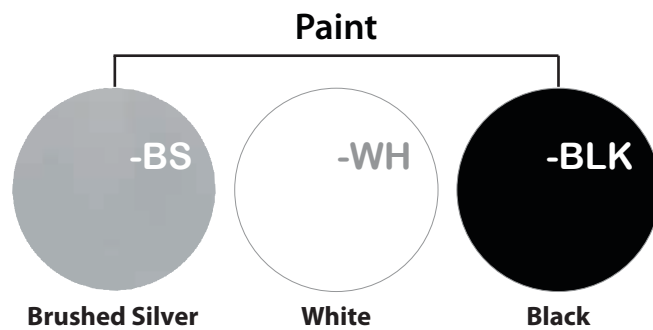
OFD-CI2ELBASE-90-
2 Stage 90° Electric Height Adjustable Base



(-BS) Brushed Silver



3 Memory Controller with 2 USB Ports



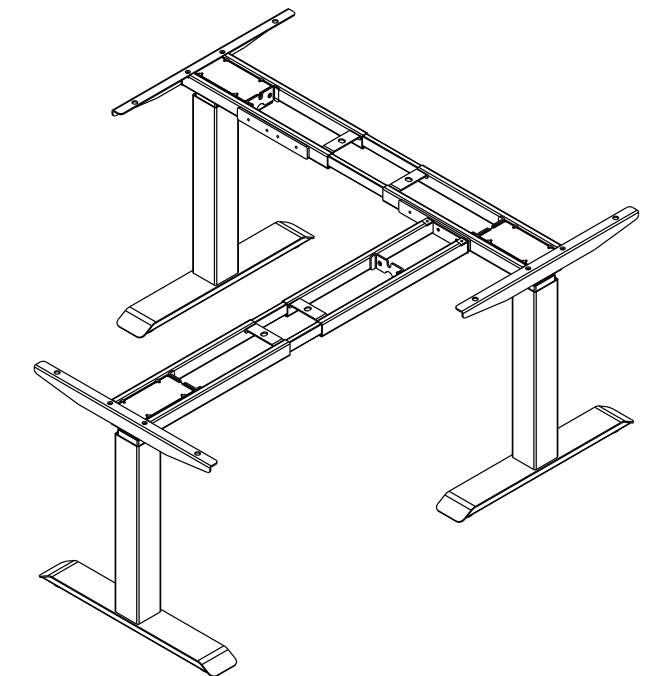
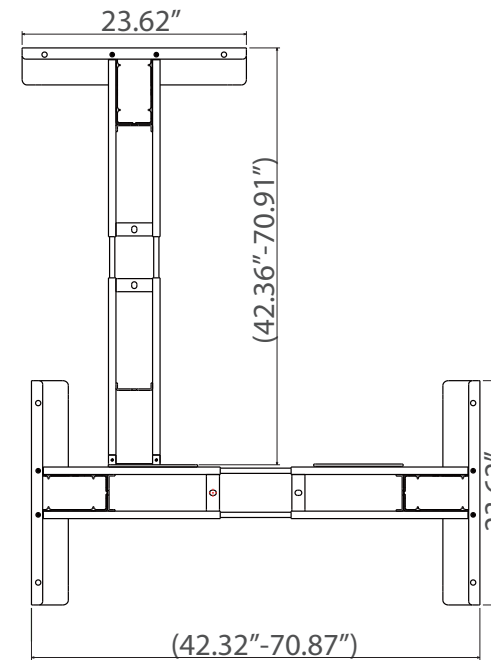
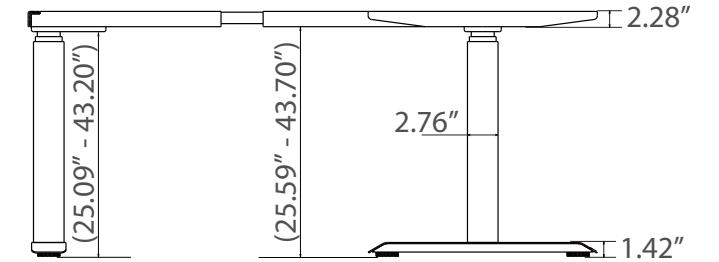
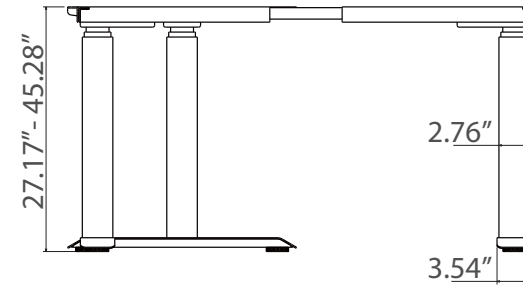
Noise Level 50db



Warranty Period Lifetime Limited



RoHS



TYPE	DATA
Leg Shape	Square
Frame Height Adjustable Range	27.17" - 45.28" (Top adds 1.1")
Frame Adjustable Range	W(42.36-70.91")+(42.32-70.87")*D(23.62")
Foot Length Size	23.62"
Speed	1.26 "/second
Maximum Lifting Capacity	330 lbs
Input	100-240V