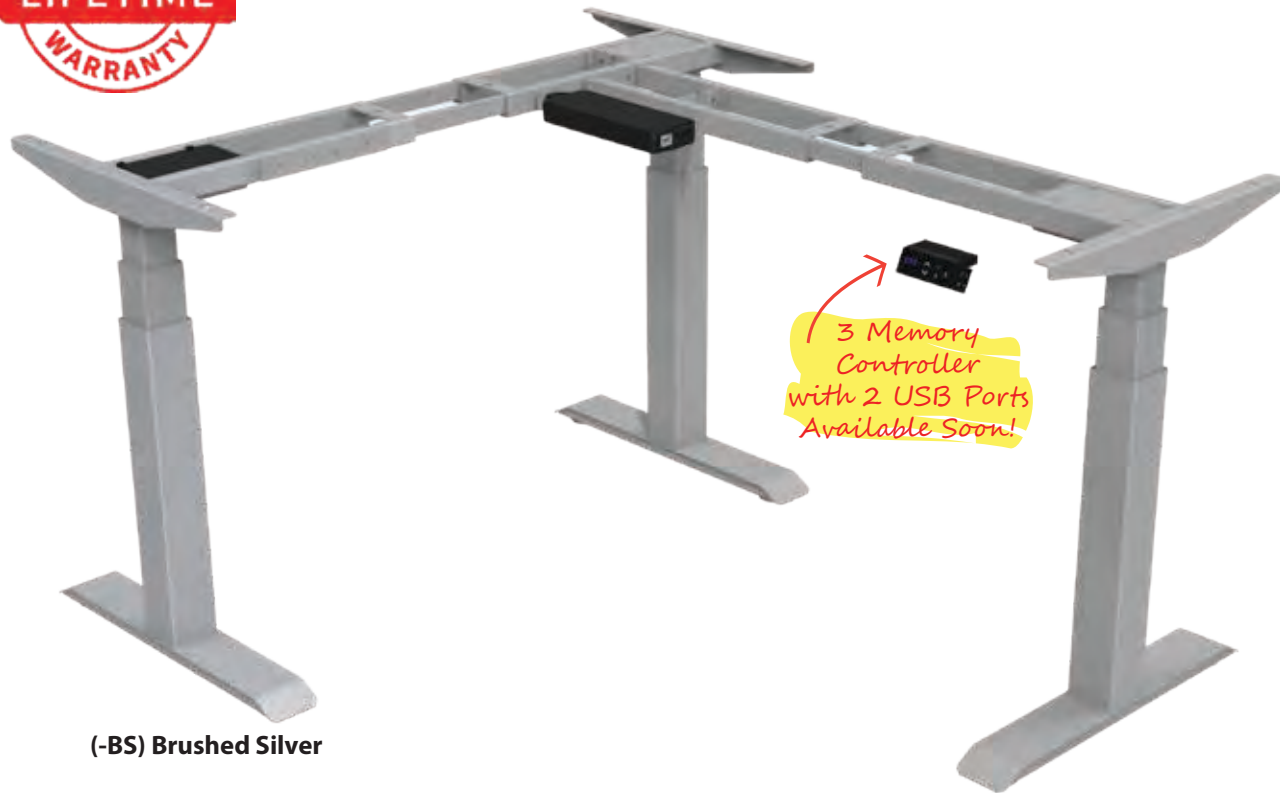


OFD-CI3ELBASE-90-
3 Stage 90° Electric Height Adjustable Base

OFD-CI3ELBASE-90-
3 Stage 90° Electric Height Adjustable Base



(-BS) Brushed Silver



4 Memory Controller

Paint



Brushed Silver

White

Black

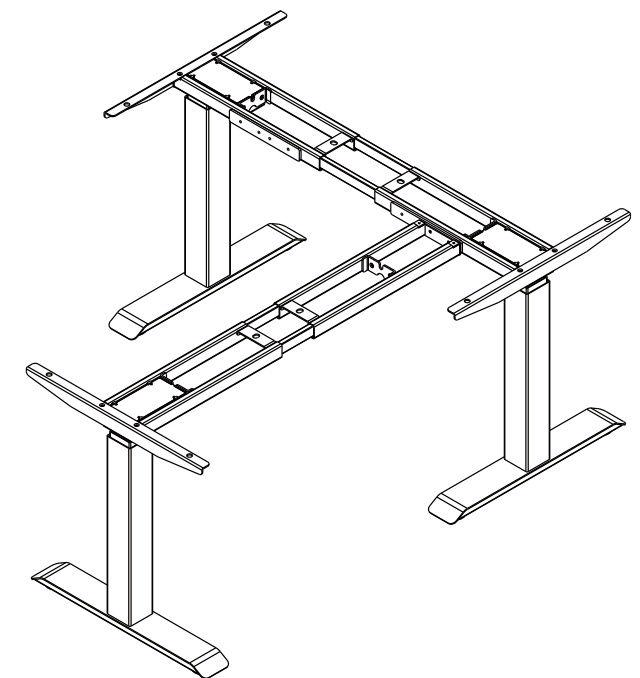
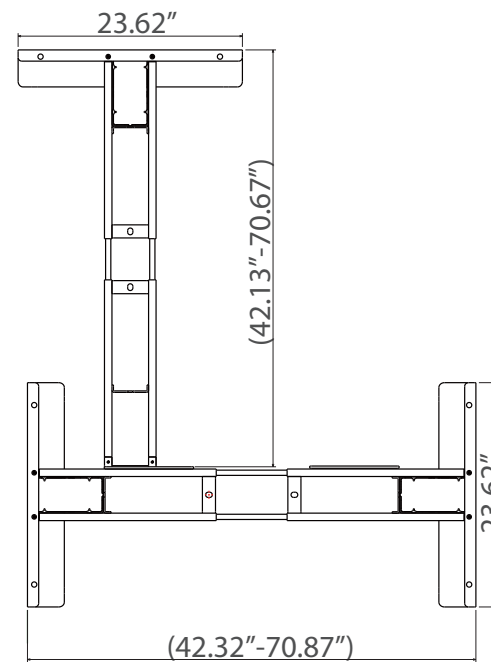
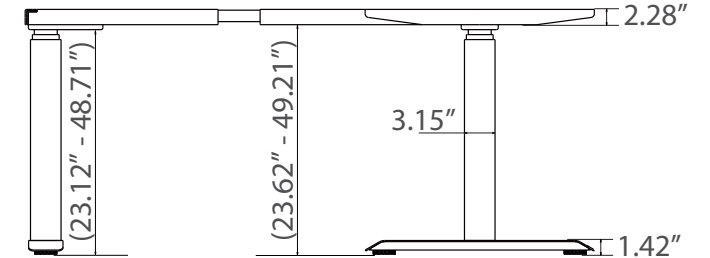
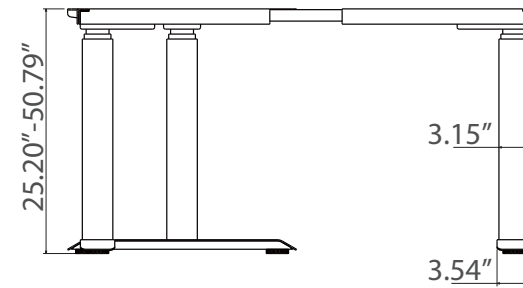
Smart L-type Products
Automatic Lifting

Noise Level
45db

Warranty Period
Lifetime Limited



RoHS



TYPE	DATA
Leg Shape	Square
Frame Height Adjustable Range	25.20" - 50.79" (Top adds 1.1")
Frame Adjustable Range	W(42.13-70.67")+(42.32-70.87")*D(23.62")
Foot Length Size	23.62"
Speed	1.6" /second
Maximum Lifting Capacity	330 lbs
Input	100-240V