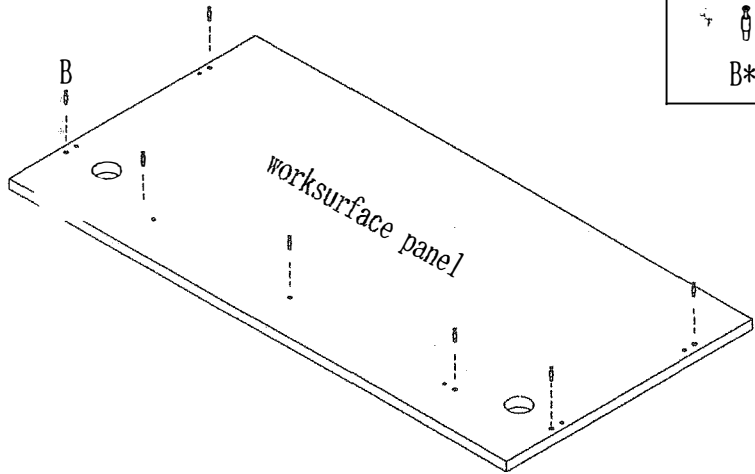
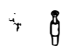
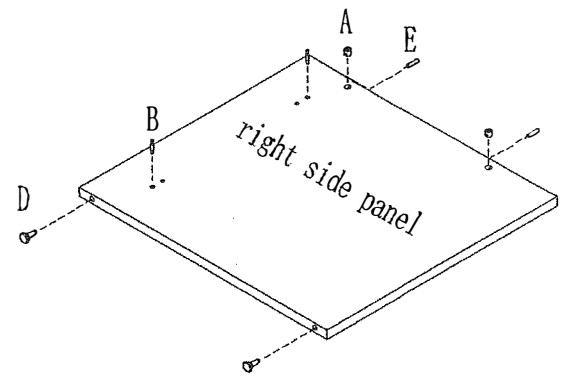



Installation/OFD102


1




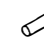

B*7

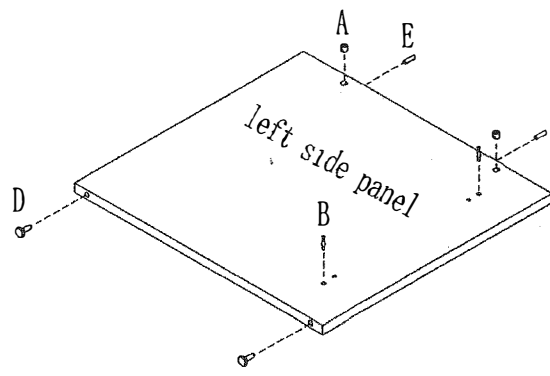




A*2



B*2



D*2

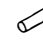

E*2

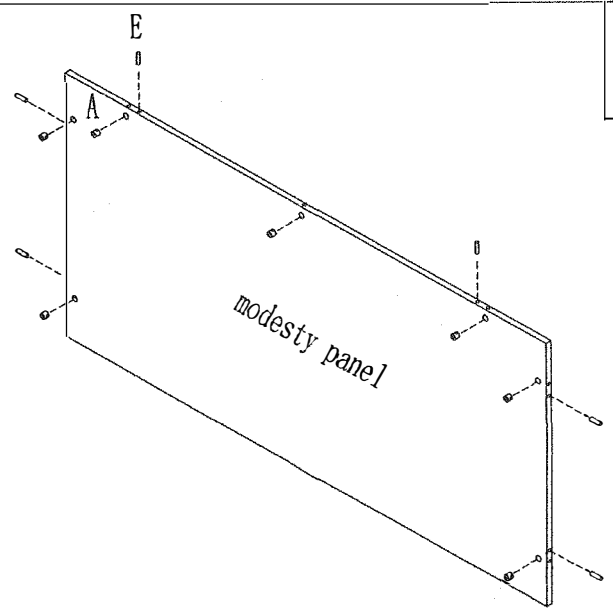




A*2



B*2


D*2


E*2

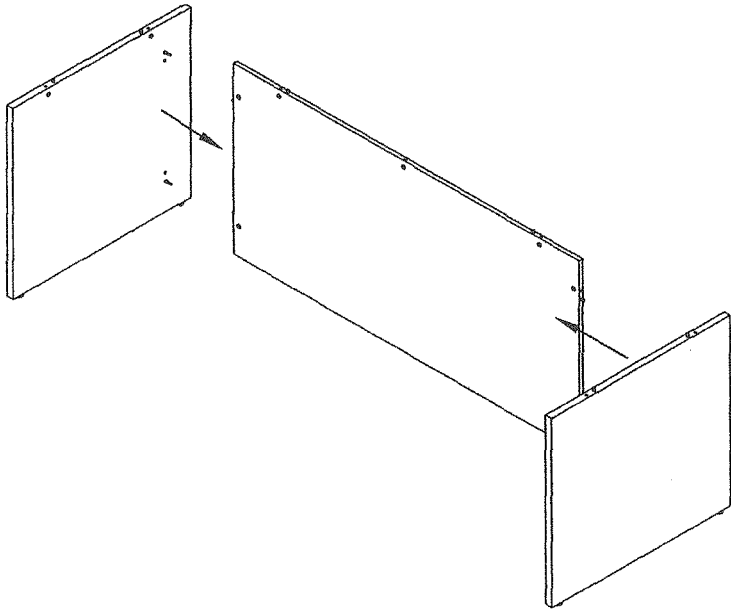



A*7

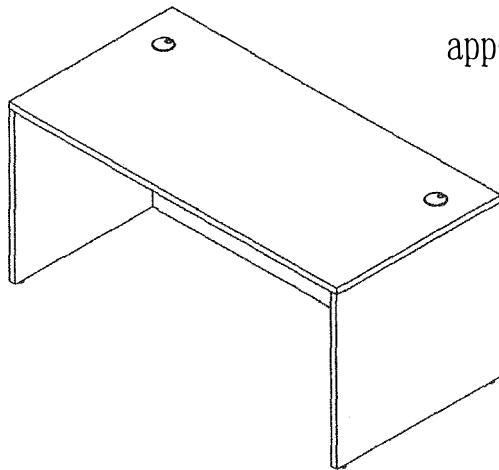
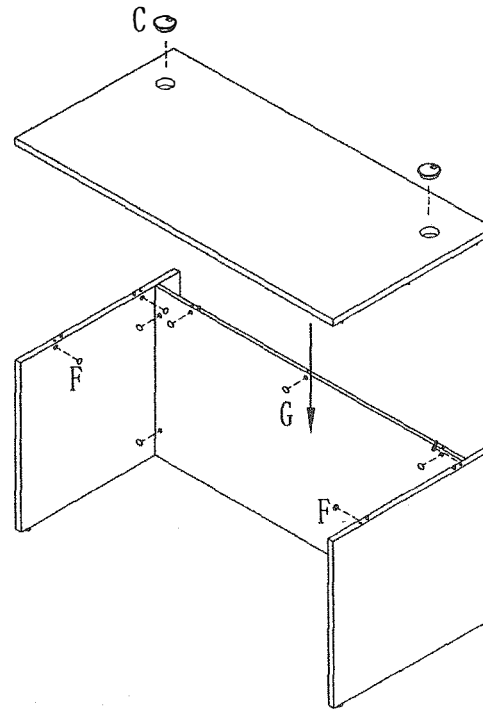

E*6

Installation/OFD102

2



3



appearance

Hardware

NO.	sample. pic	name	QTY
A		Cam	11
B		Connector	11
C		Grommet	2
D		Glider	4
E		Dowel	10
F		Cam lid(deep)	4
G		Cam lid(low)	7