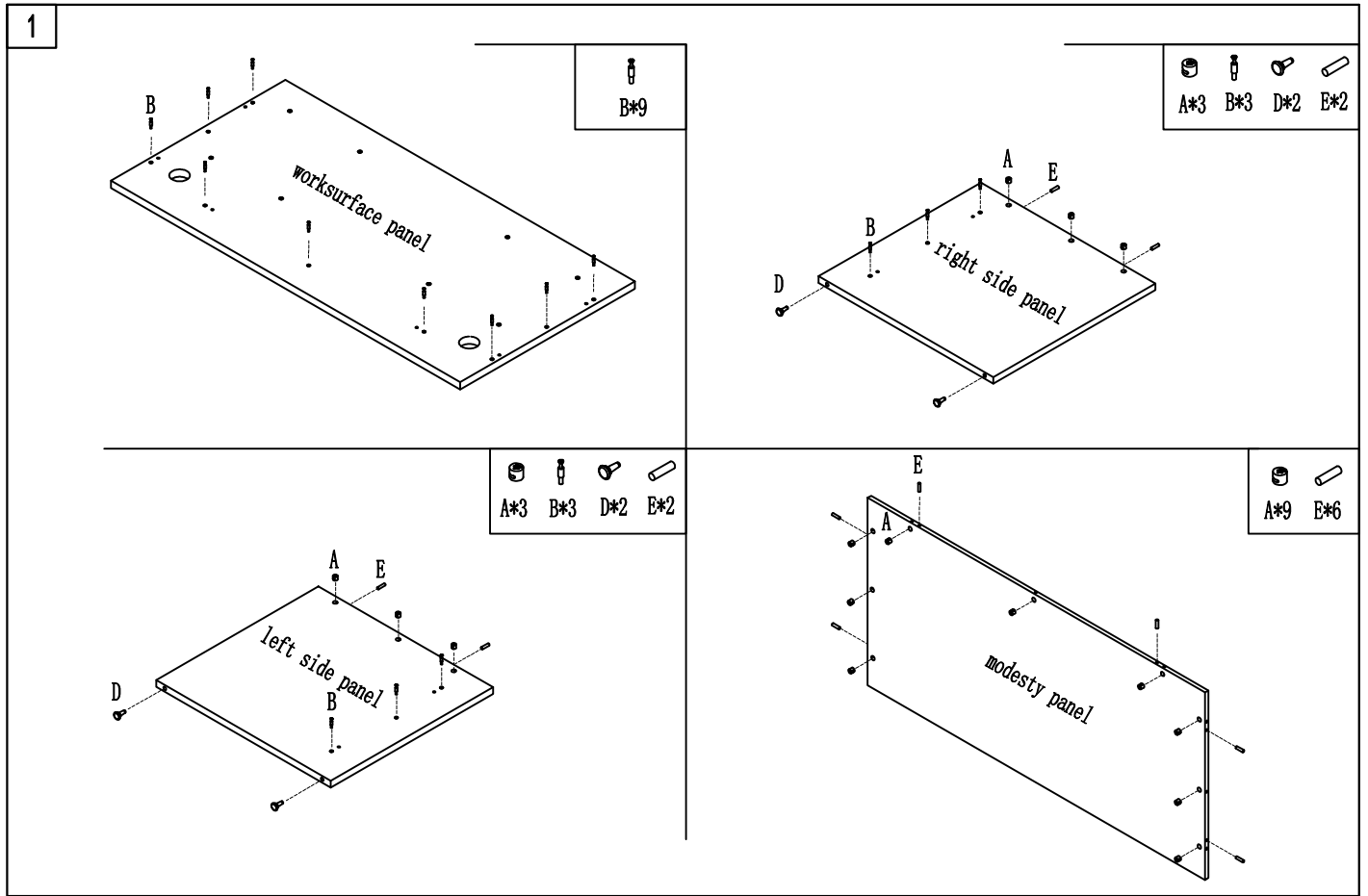
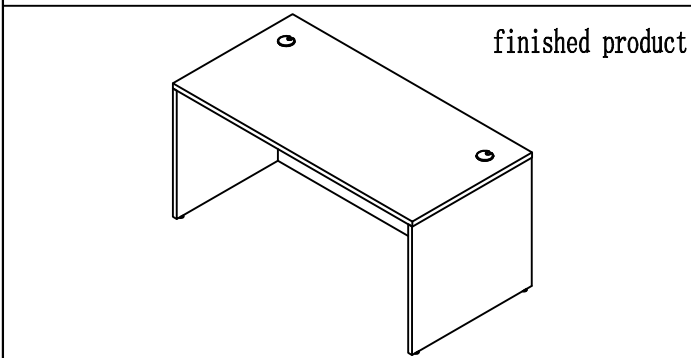
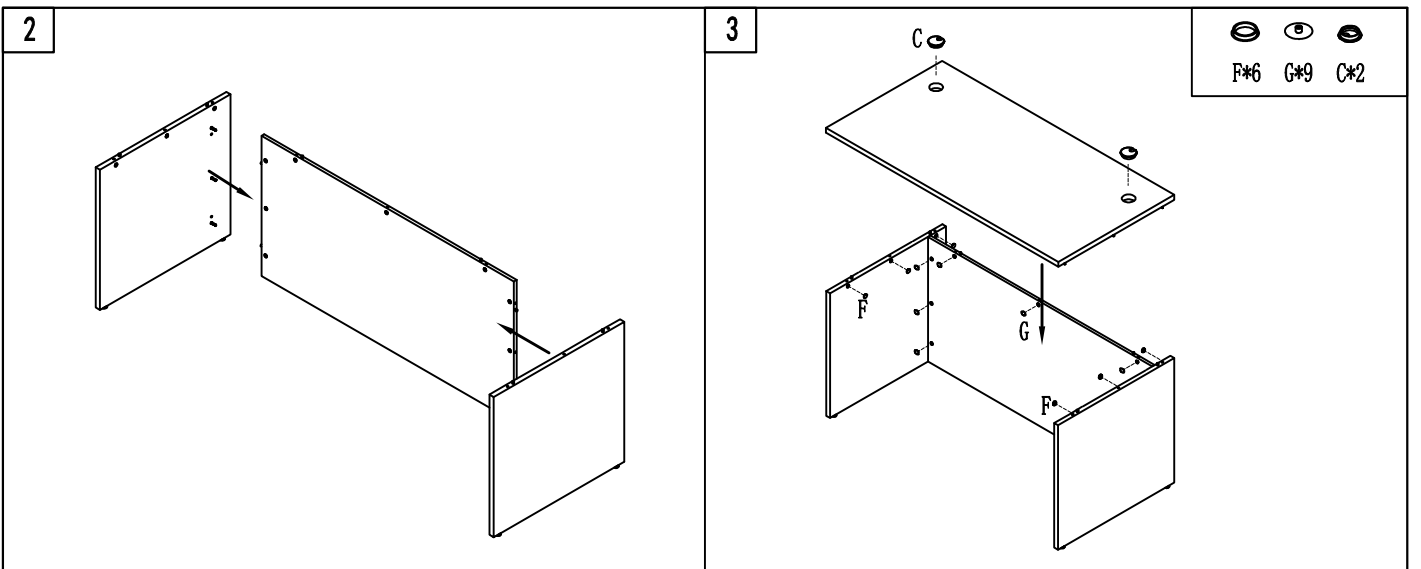


Installation / Rectangular Shell Desk (29 1/2"D x 60"W x 29 1/2"H, 1524W\*750D\*750H)



Installation / Rectangular Shell Desk (29 1/2"D x 60"W x 29 1/2"H, 1524W\*750D\*750H)



Hardware

NO.	sample.pc	name	QTY
A		Cam	15
B		Connector	15
C		Grommet	2
D		Glider	4
E		Dowel	10
F		Cam lid(deep)	6
G		Cam lid(Low)	9