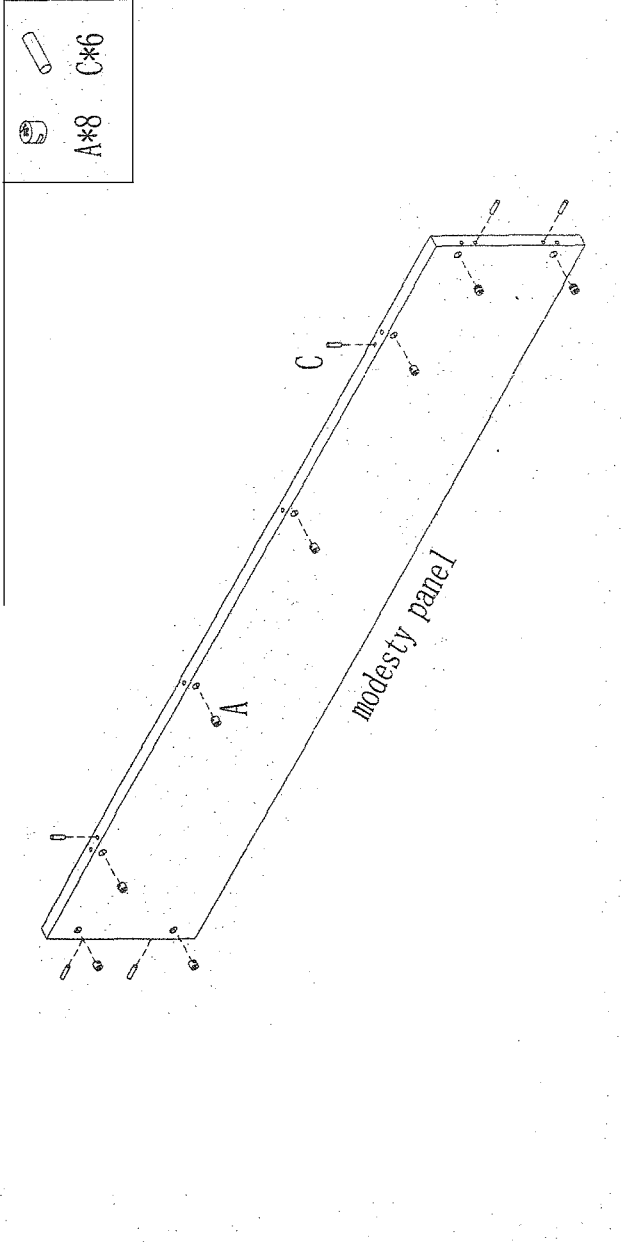
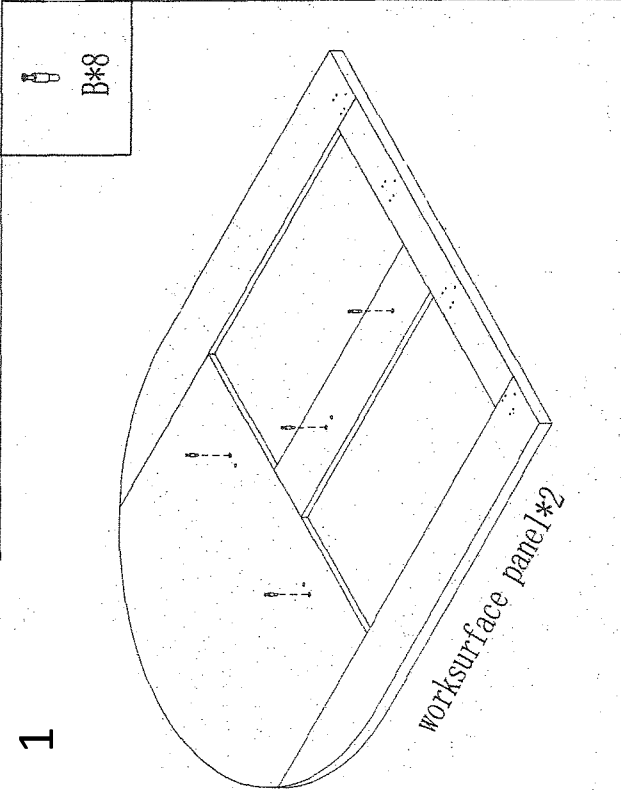
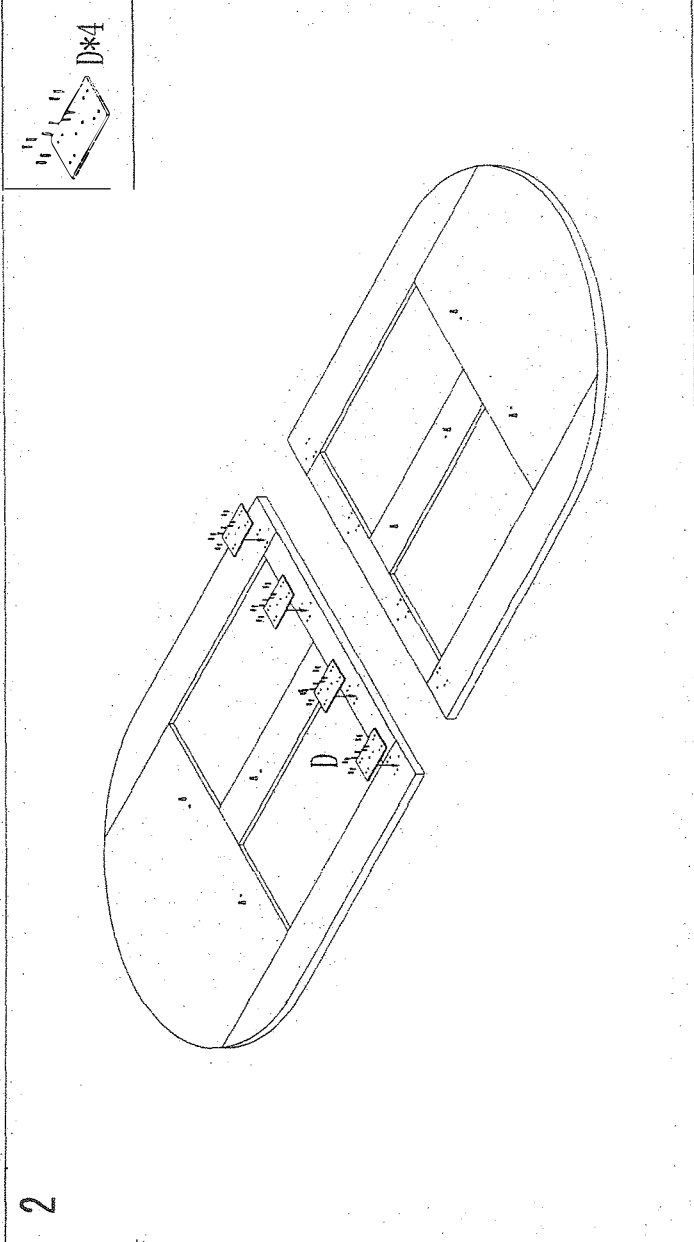
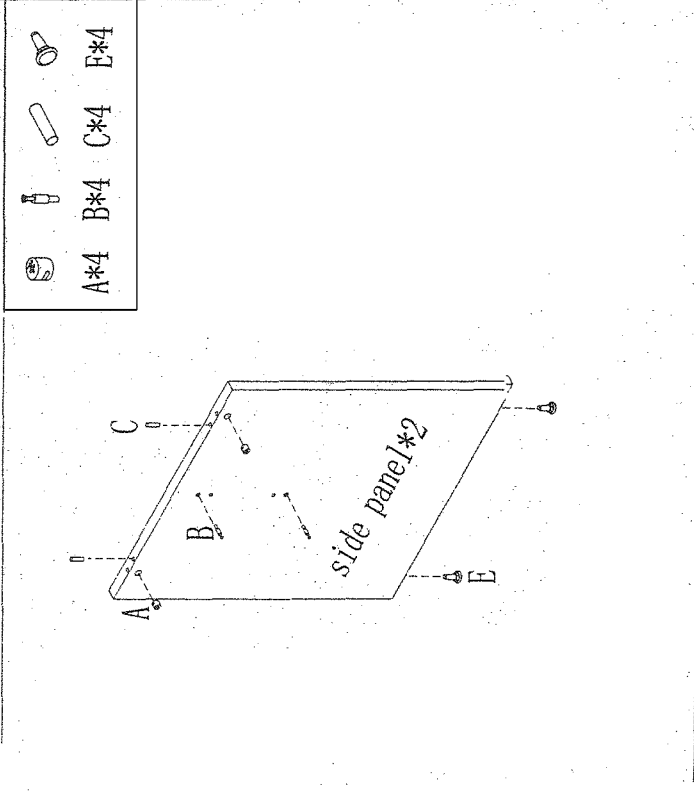


# Installation/OFDI36

1

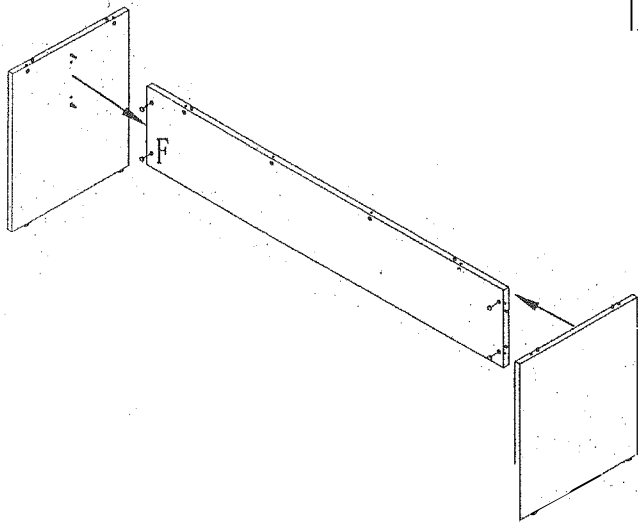


2



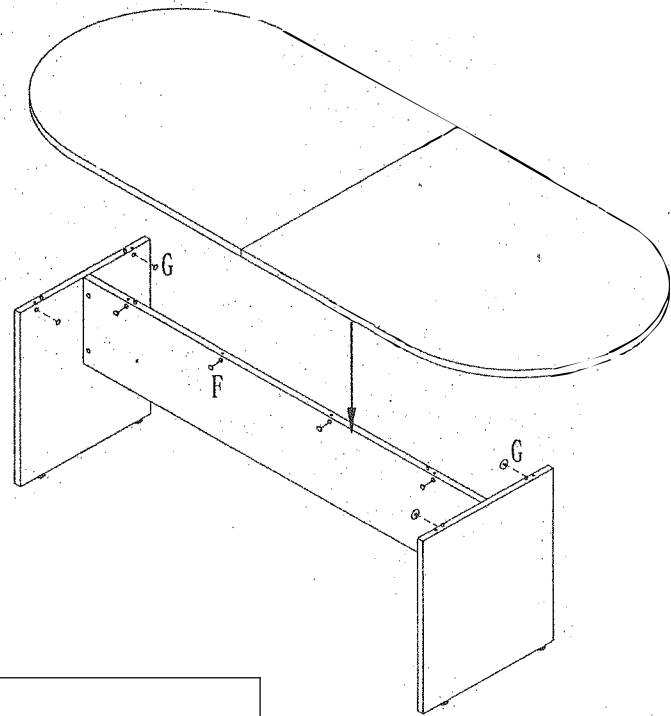
# Installation/OFD136

3



F\*4

4

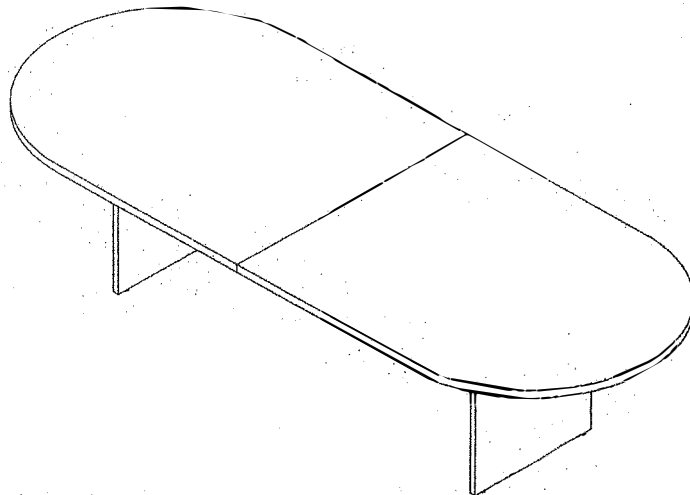


F\*4



G\*4

appearance



## Hardware

NO.	sample. pic	name	QTY
A		Cam	12
B		Connector	12
C		Dowel	10
D		Big mending plate (ST4*25 screws)	4
E		Glider	4
F		Cam lid(deep)	8
G		Cam lid(low)	4