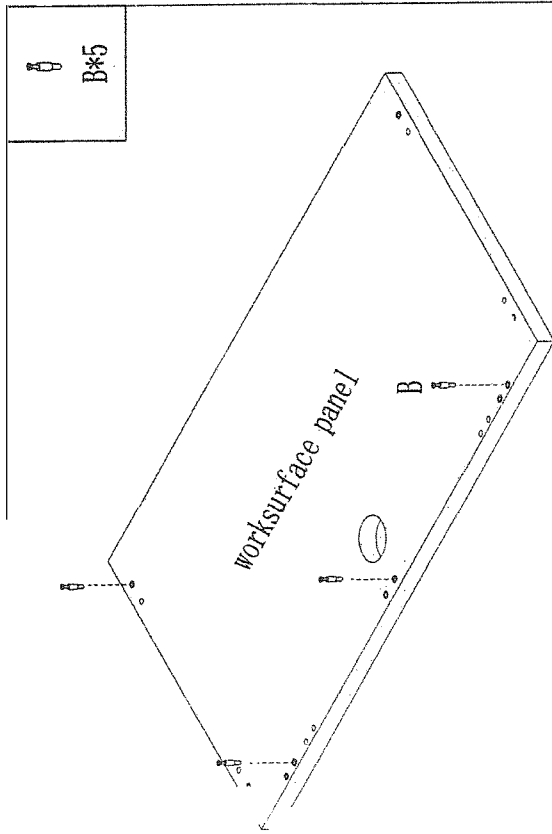
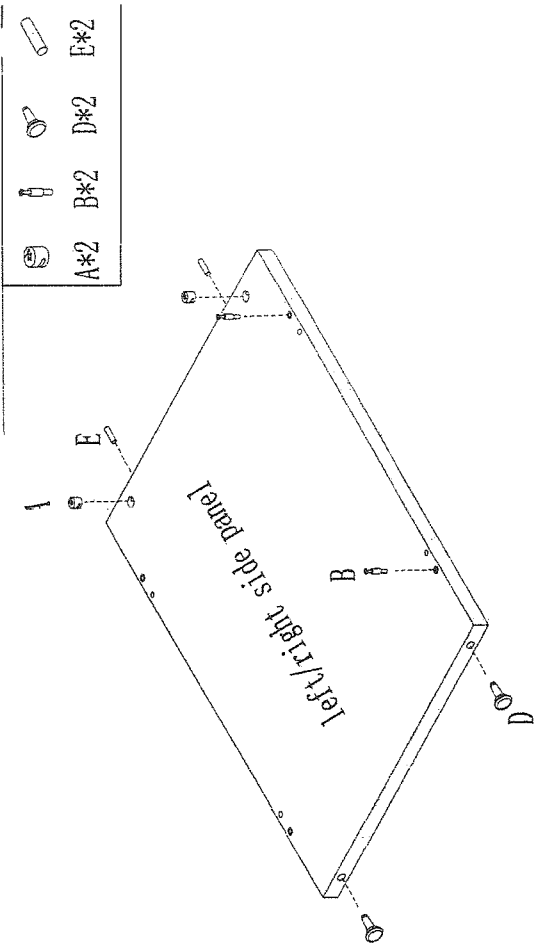


Installation/OFD146

1

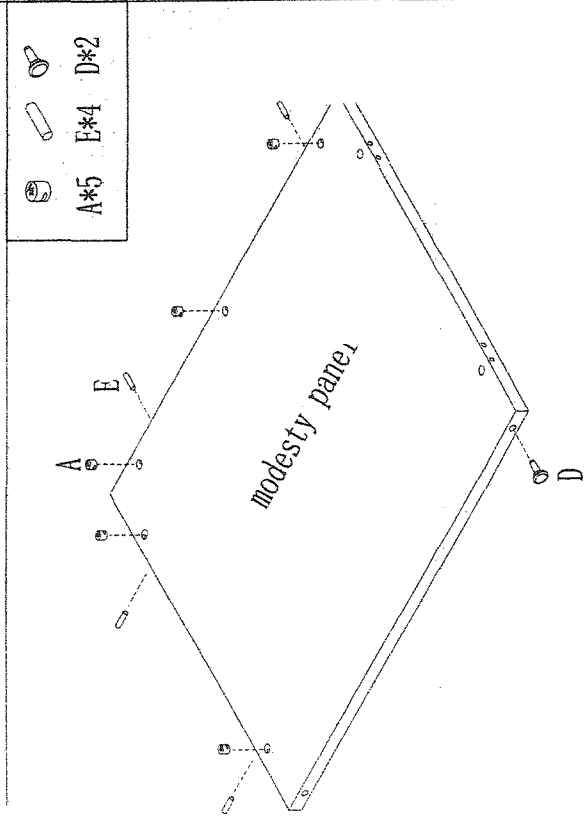


- B*5

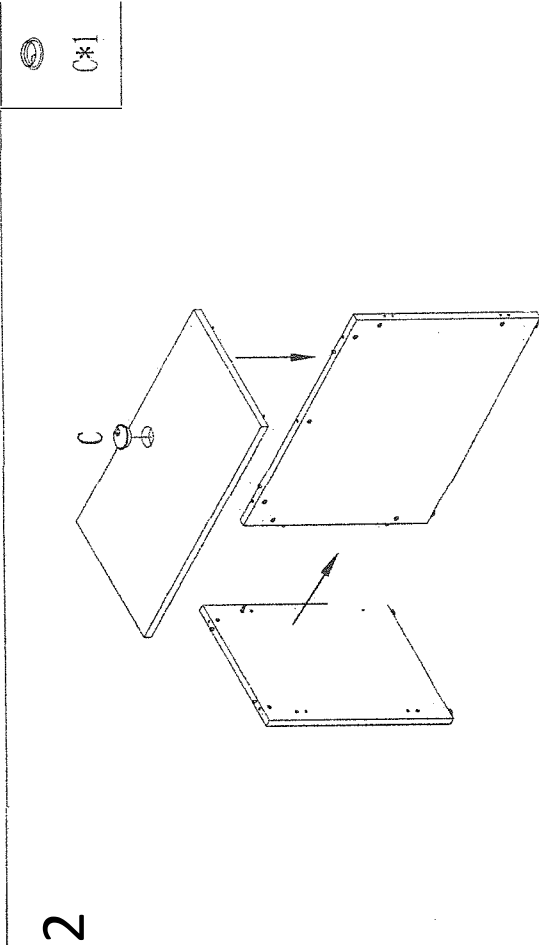


- A*2
- B*2
- D*2
- E*2

2



- A*5
- E*4
- D*2

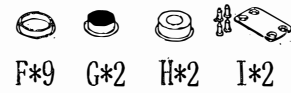
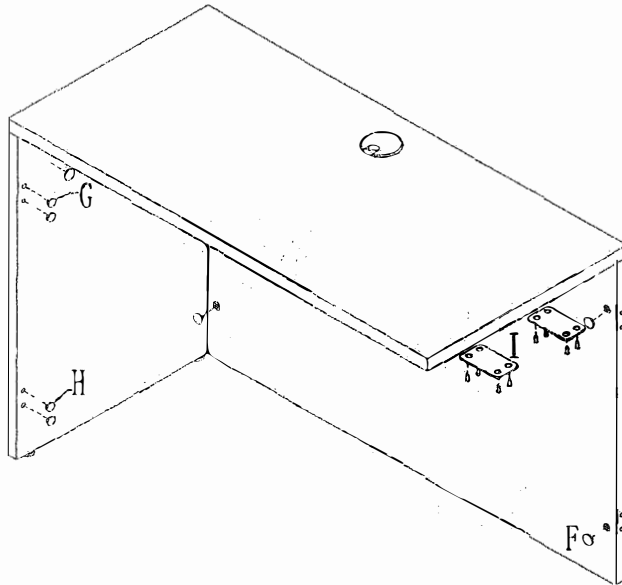


- C*1

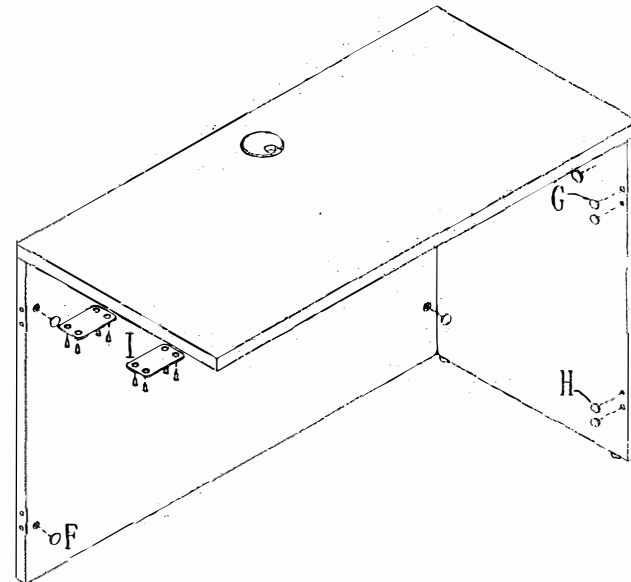
Installation/OFD146

3

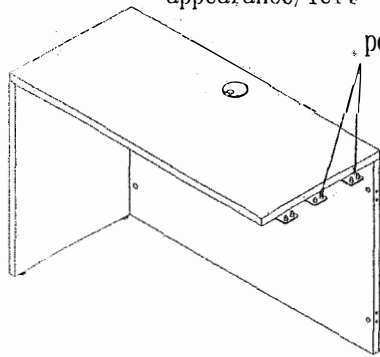
left



right

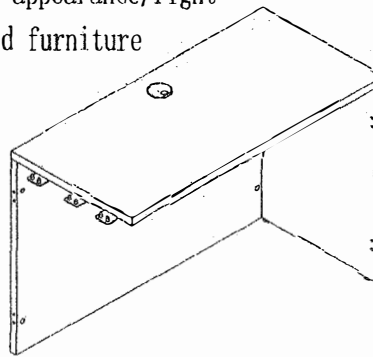


appearance/left



position lie on connected furniture

appearance/right



Hardware

NO.	sample. pic	name	QTY
A		Cam	7
B		Connector	7
C		Grommet	1
D		Glider	3
E		Dowel	6
F		Cam lid(deep)	9
G		Plug hole lid	2
H		Dowel hole lid	2
I		Mending plate (include screws)	2