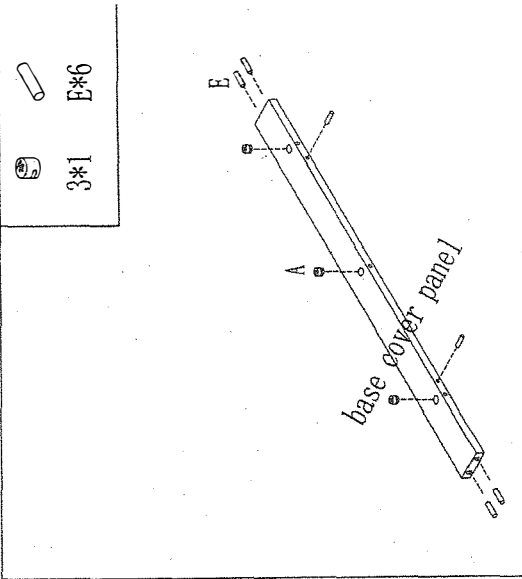
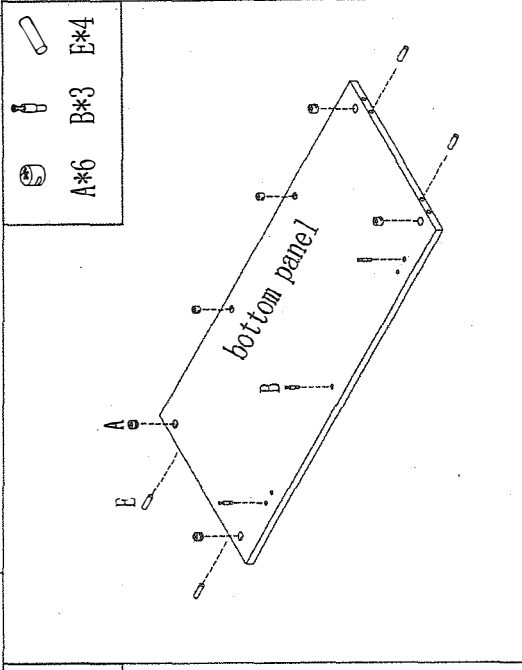
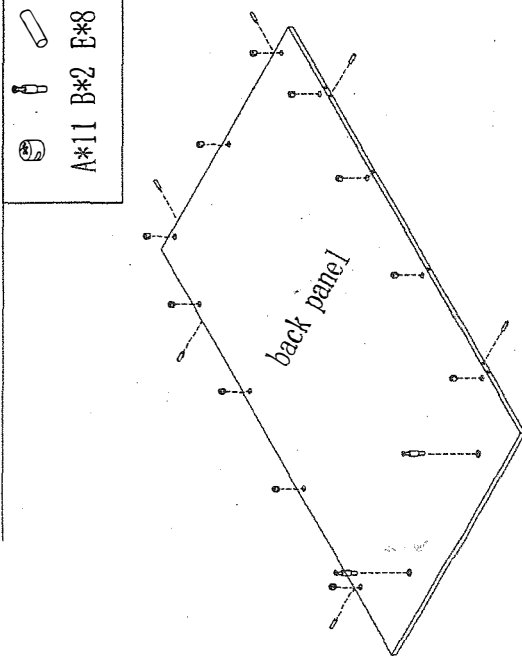
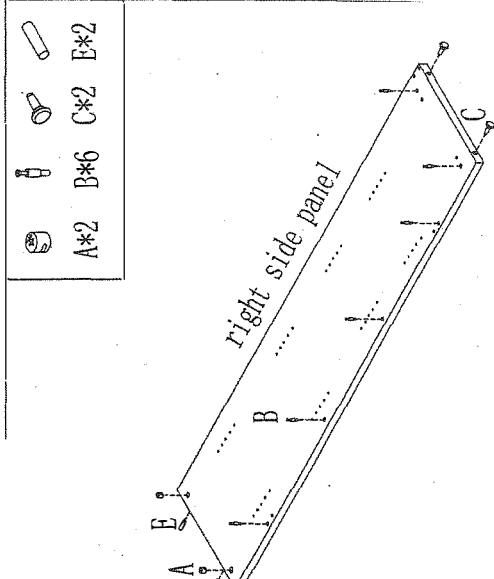
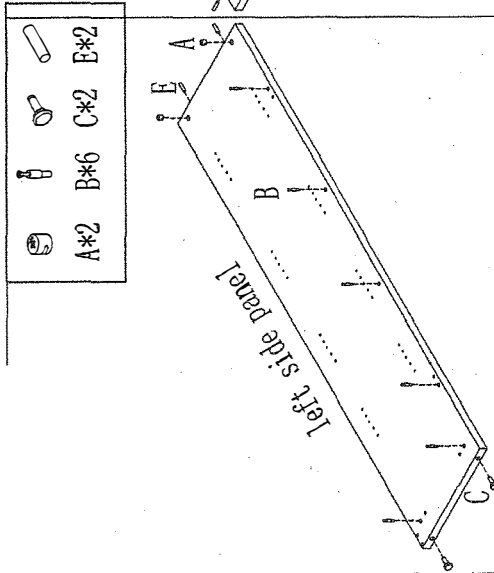
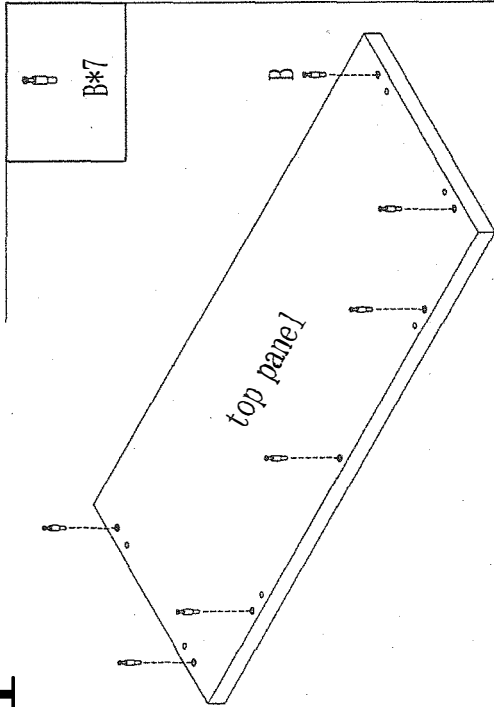


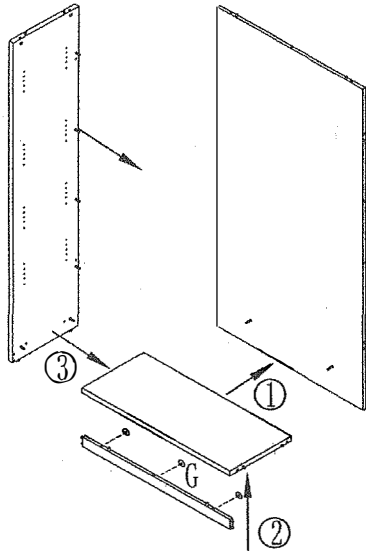
Installation/OFDI56

1



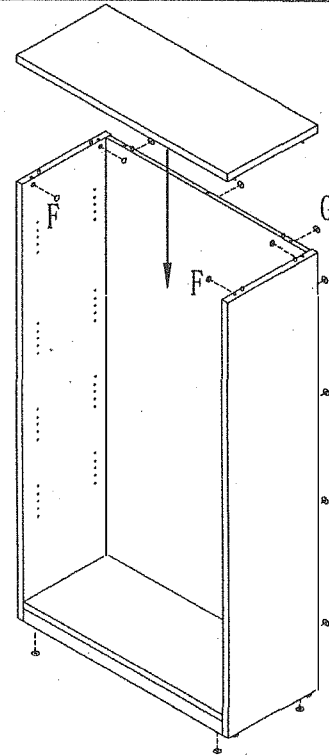
Installation/OFD156

2



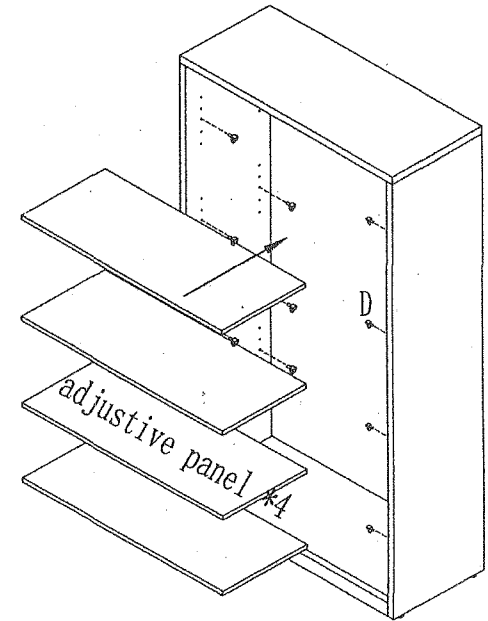
⊙
G*3

4



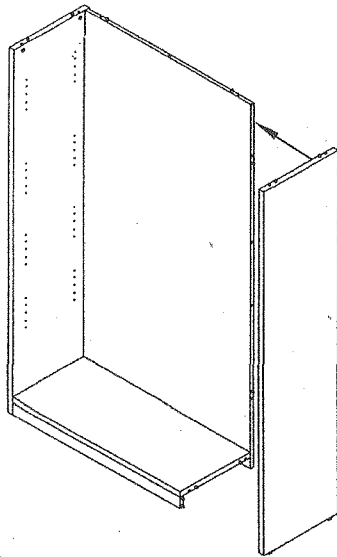
⊙ ⊙
F*4 G*17

5

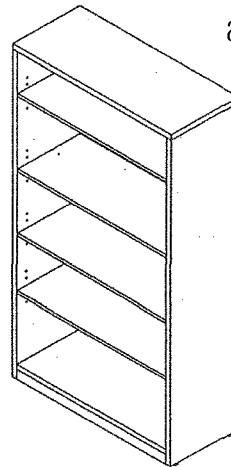


⊙
D*16

3



appearance



Hardware

NO.	sample.pc	name	QTY
A		Cam	24
B		Connector	24
C		Glider	4
D		Shelf support	16
E		Dowel	22
F		Cam lid(deep)	4
G		Cam lid(low)	20