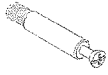

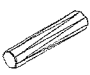
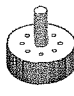

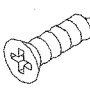

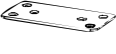


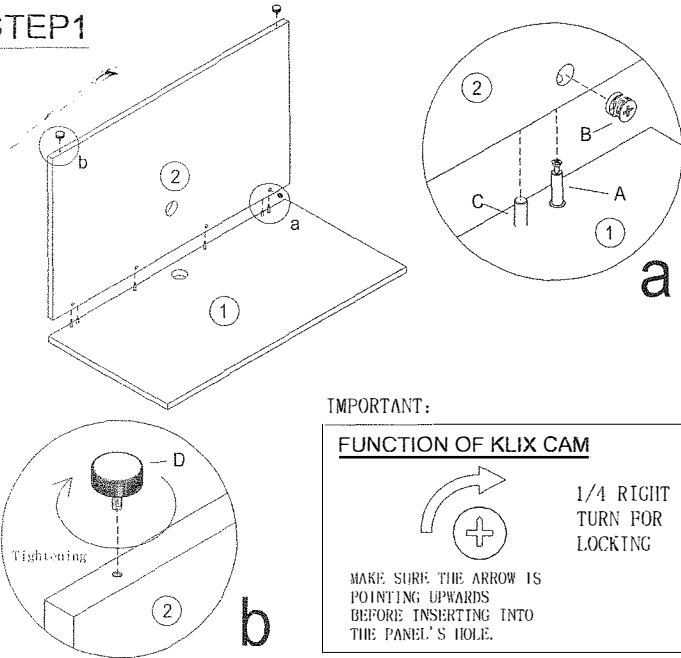
Assembly Instructions

MODEL NO.: OFD170

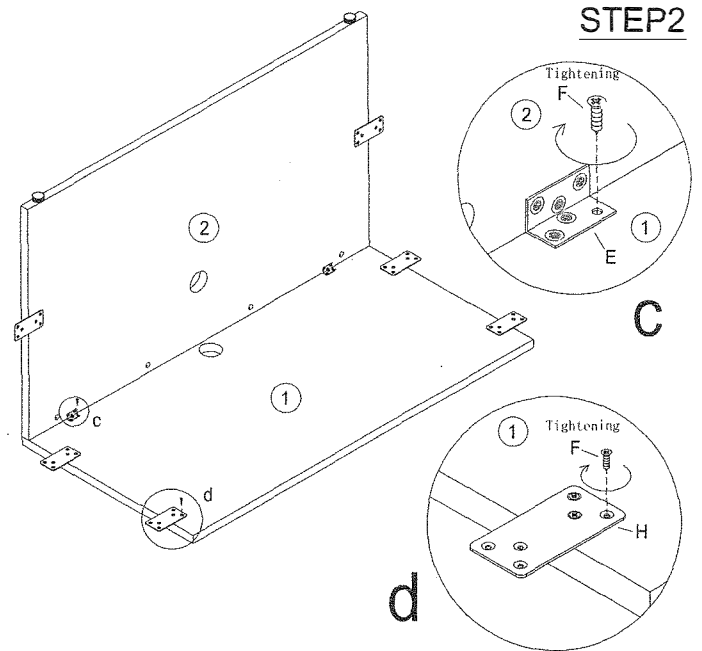
BRIDGE

| | | | | | | | |
|--|--|---|---|--|--|--|--|
| TUN010CL | TUN011KC | | TUN021AG | TUN013LB | TUN018SC | TUN015BG | TUN019IB |
| A  Cam Lock 4Pcs+1Pc(spare) | B  Klix Cam 4Pcs+1Pc(spare) | C  Dowel 2Pcs+1Pc(spare) | D  Adjustable Glide 2Pcs | E  6 Hole L-Bracket 2Pcs | F  Screw #4*5/8 48Pcs+7Pcs(spare) | G  60mm Black Grommet 2Pcs | H  I-Bracket 6Pcs |

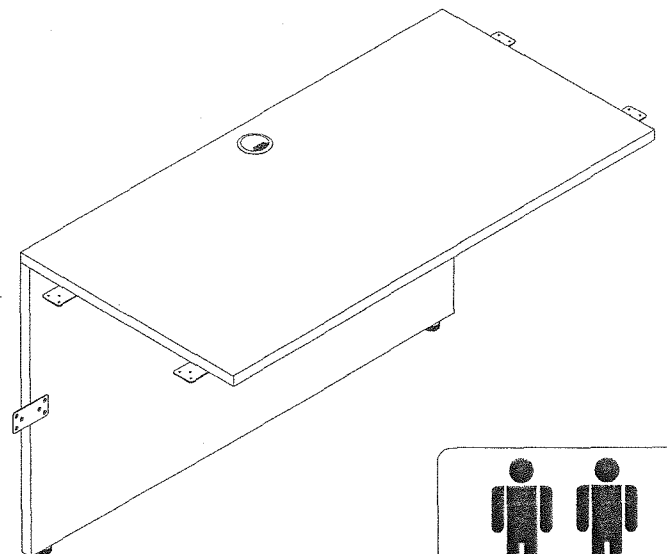
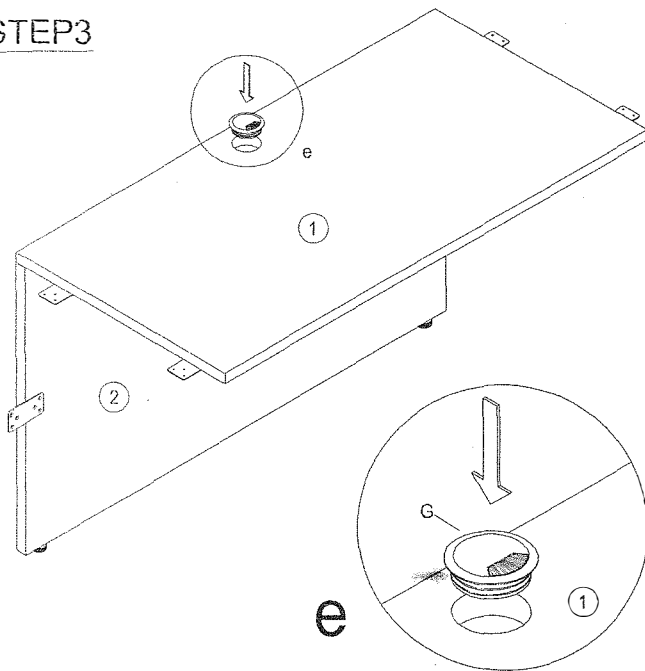
STEP1



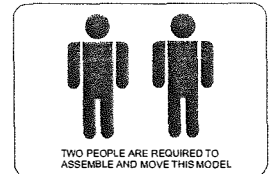
STEP2



STEP3



COMPLETED ASSEMBLY



IMPORTANT NOTE:

- Place all laminated parts on a clean and smooth surface such as a rug or carpet to avoid the parts from being scratched.
- Check to be sure that you have all parts and hardware.
- Remove all wrapping materials, including staples & packing straps before you start to assemble.
- Do not tighten any screws/bolts until all completely assembled.