


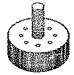
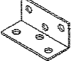



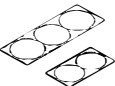


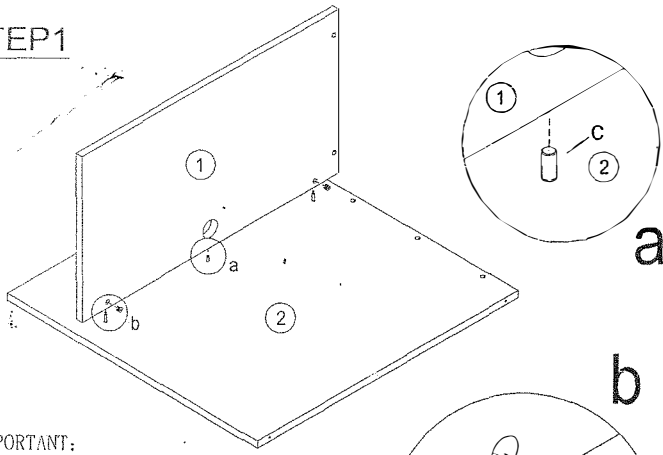
# Assembly Instructions

## MODEL NO.: OFD180

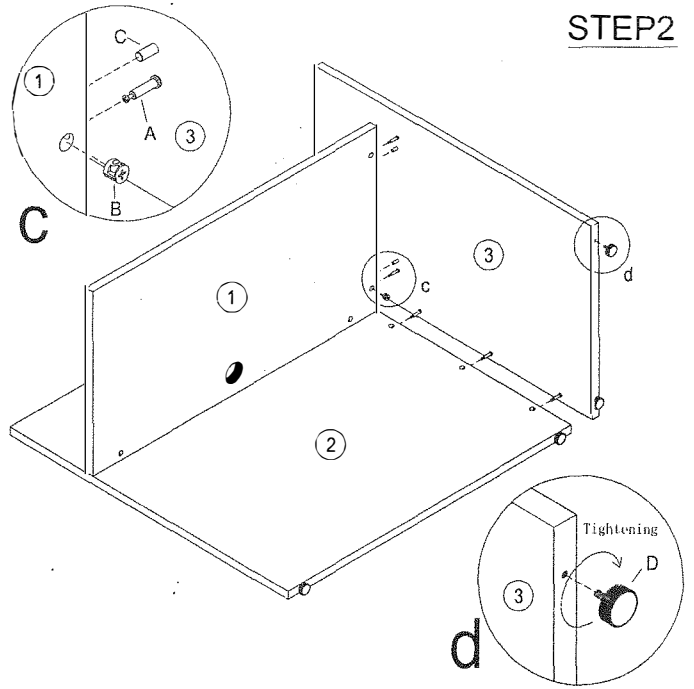
### RECEPTION RETURN SHELL

TUN010CL	TUN011KC	C	TUN021AG	TUN013LB	TUN0191B	TUN018SC	TUN015BG	I
A  Cam Lock 8Pcs+2Pcs(spare)	B  Klix Cam 8Pcs+2Pcs(spare)	 Dowel 3Pcs+1Pc(spare)	D  Adjustable Glide 4Pcs	E  6 Hole L-Bracket 3Pcs	F  I-Bracket 3Pcs	G  Screw #4*5/8" 36Pcs+5Pcs(spare)	H  60mm Black Grommet 1Pcs	I  Sticker 10Pcs

### STEP1

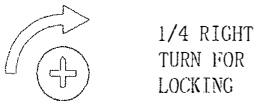


### STEP2



**IMPORTANT:**

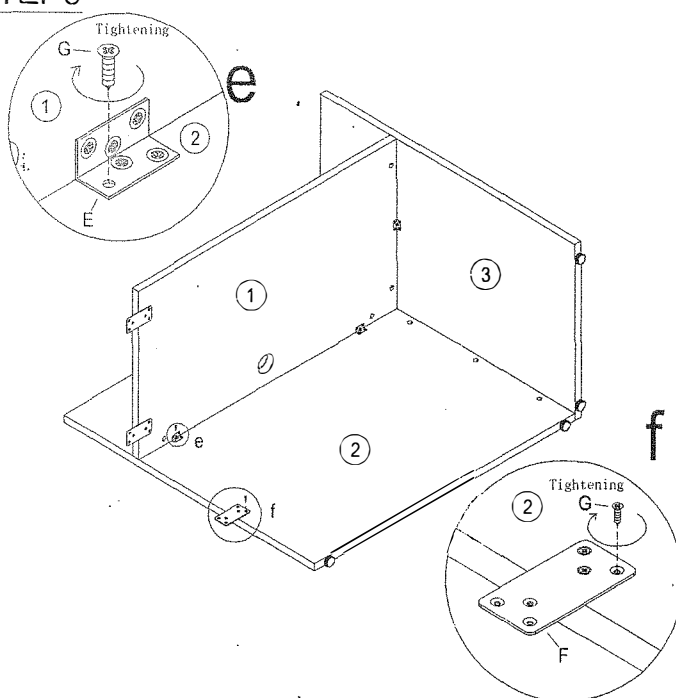
**FUNCTION OF KLIX CAM**



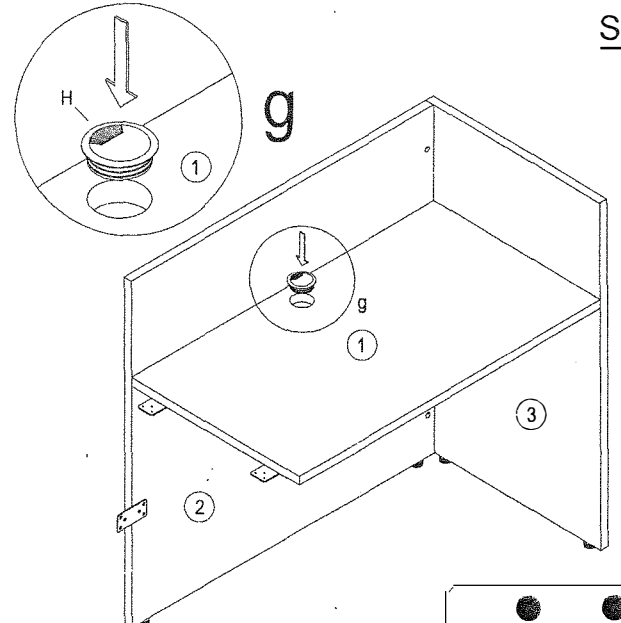
1/4 RIGHT  
TURN FOR  
LOCKING

MAKE SURE THE ARROW IS  
POINTING UPWARDS  
BEFORE INSERTING INTO  
THE PANEL'S HOLE.

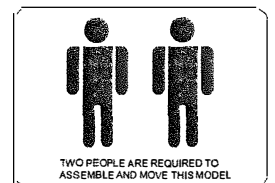
### STEP3



### STEP4



**COMPLETED ASSEMBLY**



**IMPORTANT NOTE:**

- Place all laminated parts on a clean and smooth surface such as a rug or carpet to avoid the parts from being scratched.
- Check to be sure that you have all parts and hardware.
- Remove all wrapping materials, including staples & packing straps before you start to assemble.
- Do not tighten any screws/bolts until all completely assembled.