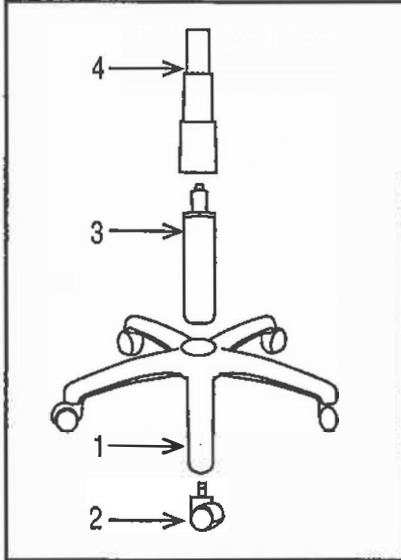


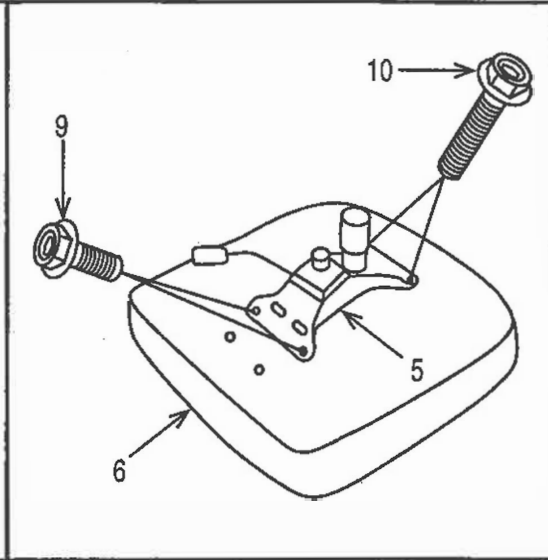
OFD-605-BLK

FAUX LEATHER MANAGER'S CHAIR ASSEMBLY INSTRUCTIONS

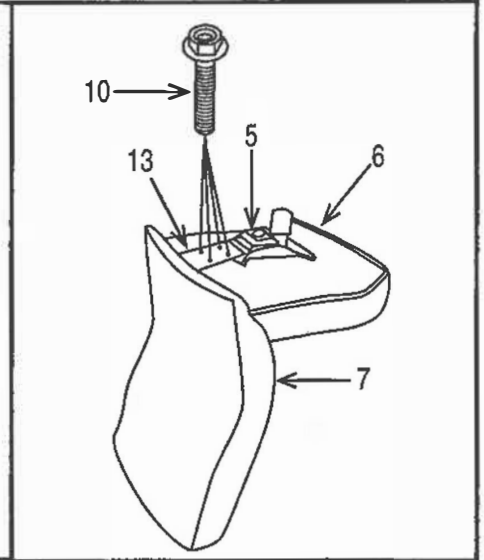
STEP 1



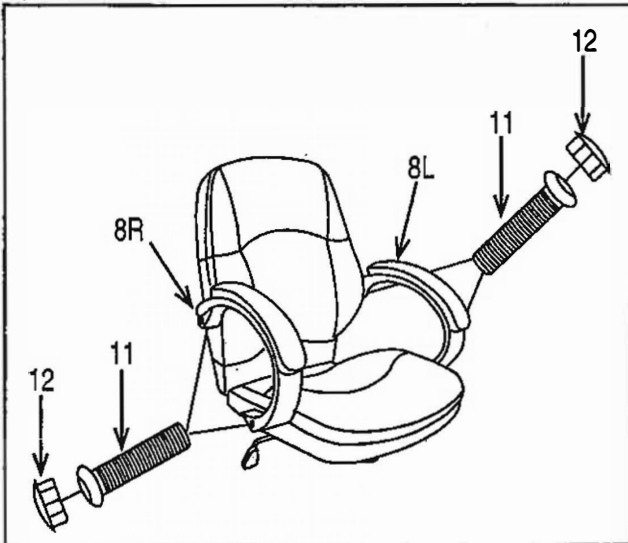
STEP 2



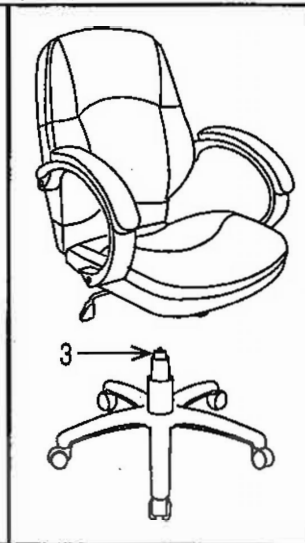
STEP 3



STEP 4



STEP 5



PART	QTY
1. Base	1
2. Casters	5
3. Pneumatic Cylinder	1
4. Bellows	1
5. Seat Plate	1
6. Seat Cushion	1
7. Back Cushion	1
8. Arms Left (8L) Right (8R)	2
9. Small Screws	2
10. Medium Screws	6
11. Large Screws	4
12. Caps	4
13. Back Support (pre-installed)	1
14. Allen Wrench (not shown)	1

Remove all parts from carton, separate by part numbers indicated on parts list, and verify part quantities.

STEP 1 Insert five Casters (2) into Base (1), push hard until you feel or hear the Caster (2) snap into place. Insert Pneumatic Cylinder (3) into Base (1) and slip Bellows (4) over Pneumatic Cylinder (3).

STEP 2 Attach Seat Plate (5) to Seat Cushion (6) with the arrow towards the front of the chair, using two Small Screws (9) for rear of Seat Cushion (6) and two Medium Screws (10) for front of Seat Cushion (6).

TIGHTEN ALL SCREWS COMPLETELY.

STEP 3 Secure Back Support (13) over Seat Plate (5) and onto Seat Cushion (6) using four Medium Screws (10).

TIGHTEN ALL SCREWS COMPLETELY.

STEP 4 Attach Arms (8L & 8R) to Seat Cushion (6) and Back Cushion (7), using four Large Screws (11) for each Arm (8), **FULLY TIGHTEN ALL SCREWS.** Cover each hole in Arms (8L & 8R) using four Caps (12).

STEP 5 Place the assembled seat on top of Pneumatic Cylinder (3) and apply downward pressure.

ATTENTION: MAKE SURE ALL SCREWS ARE FULLY TIGHTENED BEFORE USING CHAIR.