

OFD-C13ELBASE-120-

3 Stage 120° Electric Height Adjustable Base

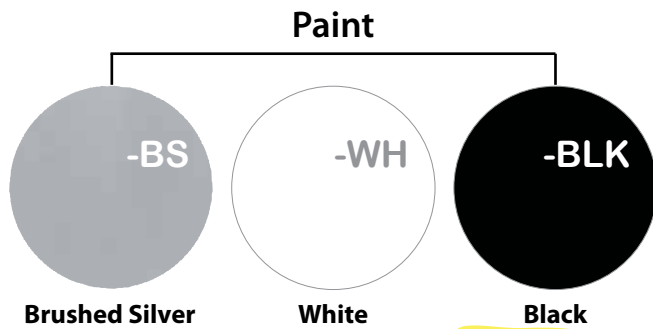


(-BS) Brushed Silver



3 Memory Controller
with 2 USB Ports

Smart L-type Products
Automatic lifting



Available Jan 1!

Noise Level
45db

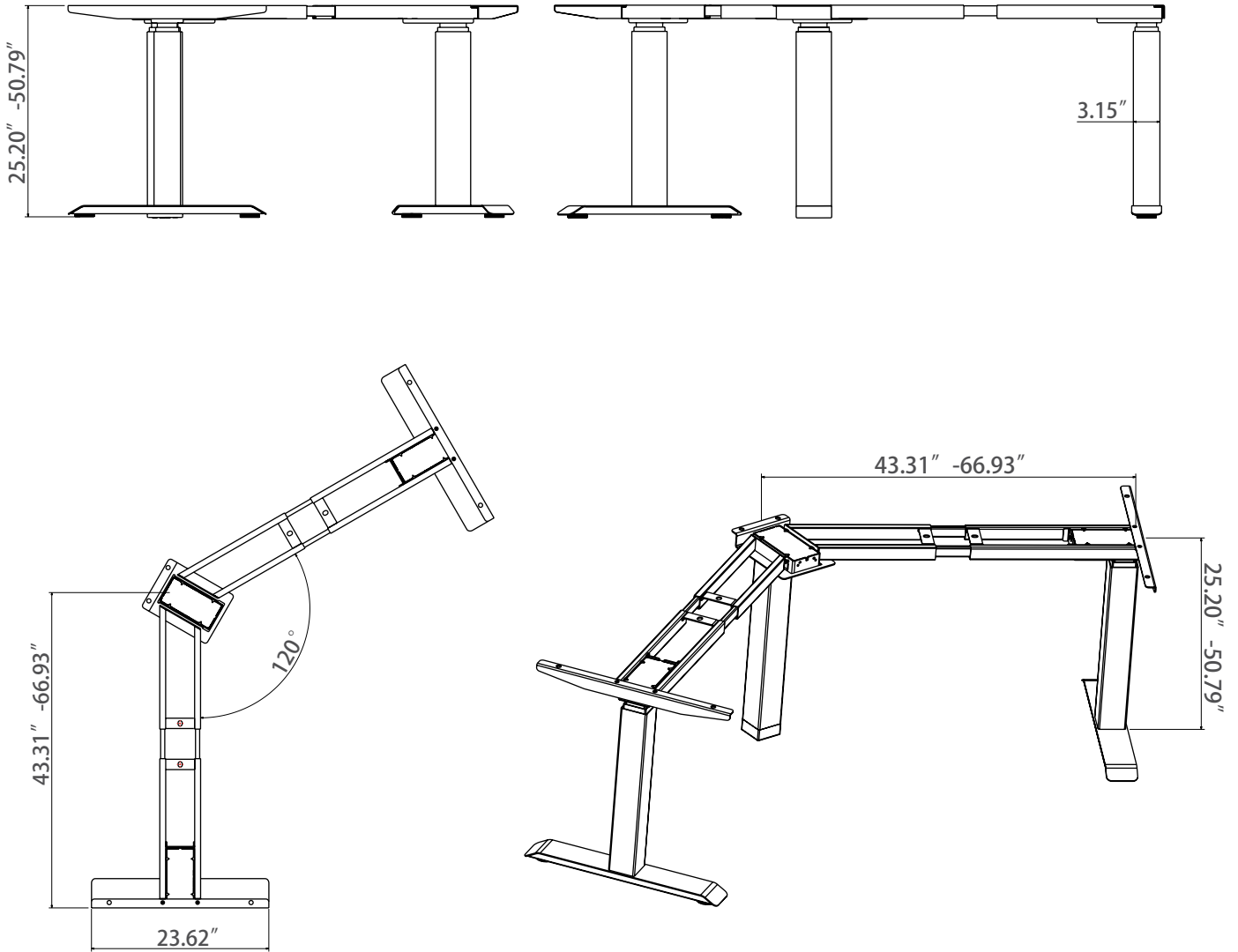
Warranty Period
7 years



RoHS

OFD-CI3ELBASE-120-

3 Stage 120° Electric Height Adjustable Base



TYPE	DATA
Leg Shape	Square
Frame Height Adjustable Range	25.20" - 50.79"
Frame Adjustable Range	$W(43.31-66.93")+(43.31-66.93")*D(23.62")$
Foot Length Size	23.62"
Speed	1.6" /second
Maximum Lifting Capacity	330 lbs
Input	100-240V