

**OFD-CI3ELBASE-90-**  
3 Stage 90° Electric Height Adjustable Base



3 Memory Controller with 2 USB Ports Available Jan 1!

(-BS) Brushed Silver



4 Memory Controller

Paint



Brushed Silver

White

Black

Available Jan 1!

Smart L-type Products  
Automatic lifting

Noise Level  
45db

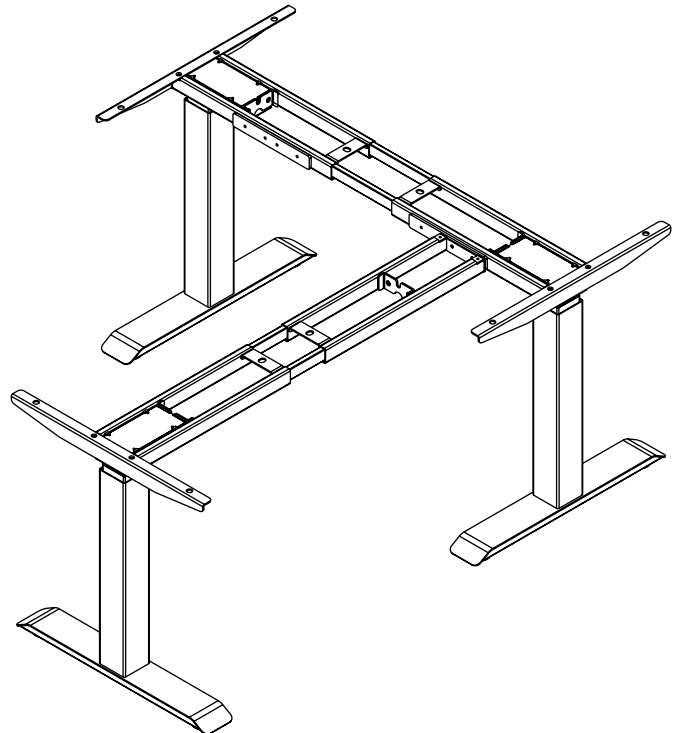
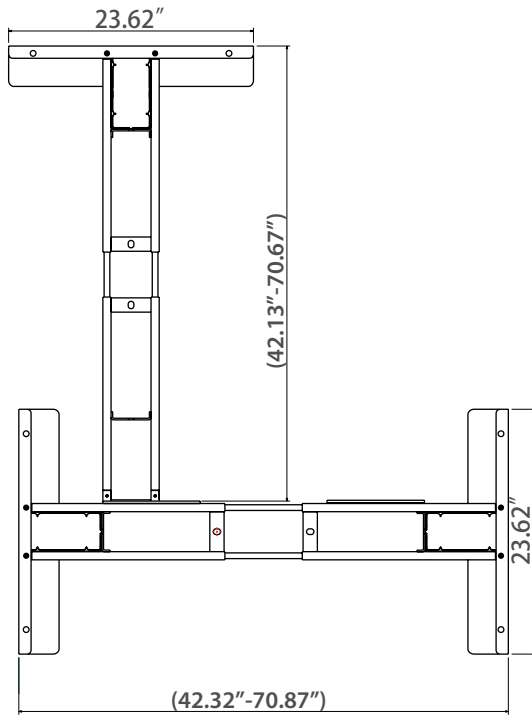
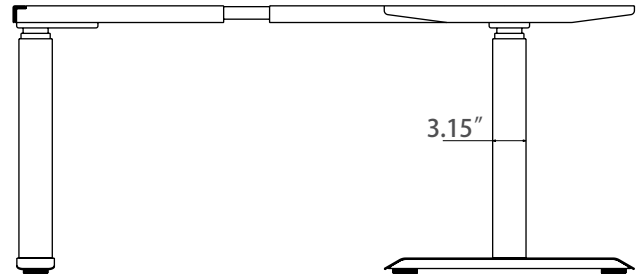
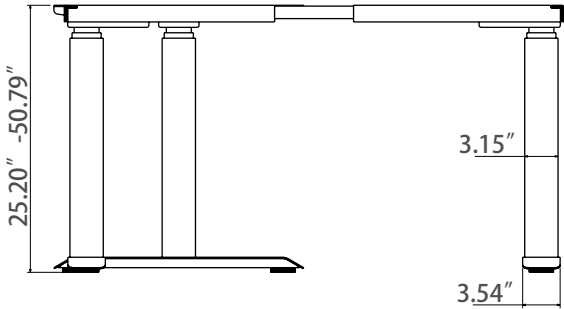
Warranty Period  
7 years



RoHS

# OFD-CI3ELBASE-90-

3 Stage 90° Electric Height Adjustable Base



| TYPE                          | DATA                                       |
|-------------------------------|--|
| Leg Shape                     | Square                                     |
| Frame Height Adjustable Range | 25.20" - 50.79"                            |
| Frame Adjustable Range        | $W(42.13-70.67")+(43.32-70.87")*D(23.62")$ |
| Foot Length Size              | 23.62"                                     |
| Speed                         | 1.6" /second                               |
| Maximum Lifting Capacity      | 330 lbs                                    |
| Input                         | 100-240V                                   |