

**OFD-C13ELBASE-A-**  
 3 Stage, Dual Motor Electric Height Adjustable Base



(-BS) Brushed Silver



3 Memory Controller  
 with 2 USB Ports

(Optional Casters)



Paint



Brushed Silver

White

Black

*Available Jan 1!*

Smart L-type Products  
 Automatic lifting

Noise Level  
 45db

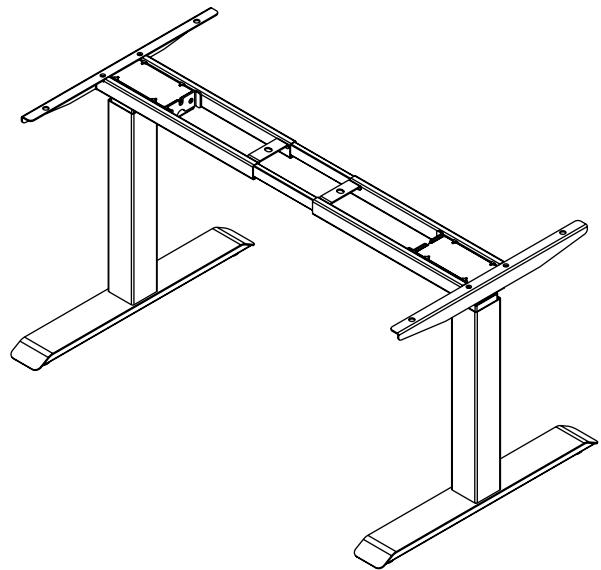
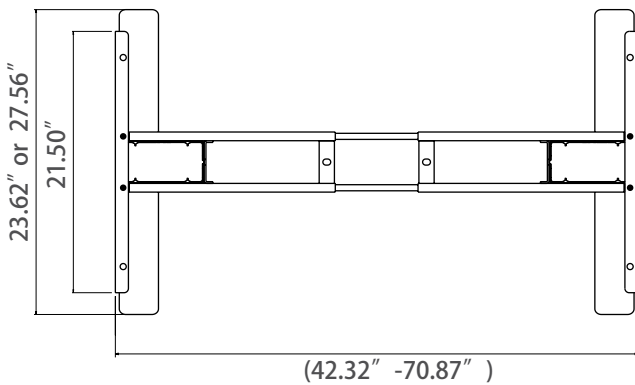
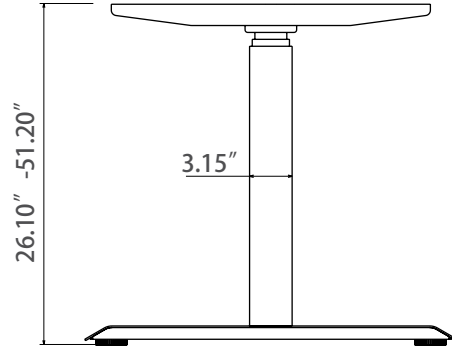
Warranty Period  
 7 years



RoHS

# OFD-CI3ELBASE-A-

3 Stage, Dual Motor Electric Height Adjustable Base



TYPE	DATA
Leg Shape	Square
Frame Height Adjustable Range	26.10" - 51.20"
Frame Adjustable Range	W(42.32-70.87")*D(21.5")
Foot Length Size (2 Options)	23.62" or 27.56" <i>Available Dec 16!</i>
Speed	1.6" /second
Maximum Lifting Capacity	264 lbs
Input	100-240V